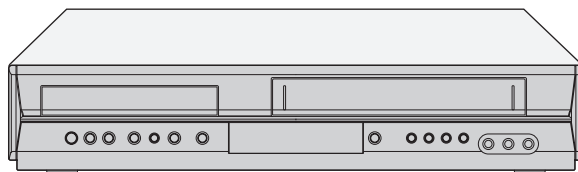


JVC

SERVICE MANUAL

DVD PLAYER & VIDEO CASSETTE RECORDER

**HR-XV45SEF, HR-XV45SEK,
HR-XV45SER, HR-XV45SEU,
HR-XV45SEY, HR-XV45SEZ**



VIDEO Plus+
(EK model)

SHOWVIEWTM
(EU, EY, EZ models)

VHS
PAL

SHOWVIEW[®]
(EF, ER models)

VHS
PAL SECAM
(EF model)

DVD
VIDEOTM

DOLBY
DIGITAL

MP3
CD-R/RW

3D Surround
Sound

DIVX
VIDEO

dts
DIGITAL OUT

COMPACT
disc
DIGITAL VIDEO

COMPACT
disc
SUPER VIDEO

COMPACT
disc
DIGITAL AUDIO

HR-XV45SEF,HR-XV45SEK,HR-XV45SER,HR-XV45SEU,HR-XV45SEY,HR-XV45SEZ [D5PV1]

TABLE OF CONTENTS

1	PRECAUTION.....	1-3
2	SPECIFIC SERVICE INSTRUCTIONS.....	1-6
3	DISASSEMBLY.....	1-9
4	ADJUSTMENT.....	1-10
5	TROUBLESHOOTING.....	1-37

SPECIFICATION

	HR-XV45SEF	HR-XV45SEK	HR-XV45SER/SEU/SEY/SEZ
General			
Power requirement	AC 200V - 240V, 50 Hz		
Power consumption	17 W		
Dimensions (approx.)	430 × 78.5 × 265 mm (w/h/d)		
Mass (approx.)	4.2 kg		
Operating temperature	5°C to 35°C (41°F to 95°F)		
Operating humidity	5 % to 90 %		
Timer	24 hours display type		
RF Modulator	-	UHF 22-68 (Adjustable)	
System			
Laser	Semiconductor laser, wavelength 650 nm		
Video Head system	Double azimuth 6 heads, helical scanning.		
Signal system	PAL		
Frequency response	DVD (PCM 96 kHz): 8 Hz to 44 kHz, DVD (PCM 48 kHz): 8 Hz to 22 kHz, CD: 8 Hz to 20 kHz		
Signal-to-noise ratio	More than 100 dB (ANALOG OUT connectors only)		
Harmonic distortion	Less than 0.008%		
Dynamic range	More than 100 dB (DVD), More than 95 dB (CD)		
Inputs (VCR)			
Audio	-6.0 dBm, more than 10 kΩ (SCART), -6.0 dBm, more than 47 kΩ (RCA)		
Video	1.0 V (p-p), 75 Ω, unbalanced (SCART/RCA)		
Outputs (DVD)			
VIDEO OUT	1 Vp-p 75 Ω, sync negative		
Audio output (digital audio)	0.5 V (p-p), 75 Ω, RCA jack × 1		
Audio output (analog audio)	2.0 Vrms (1 kHz, 0 dB), 600 Ω, RCA jack (L, R) × 1/SCART (TO TV)		
Outputs (VCR)			
Audio	-6.0 dBm, less than 1 kΩ (SCART)		
Video	1.0 V (p-p), 75 Ω, unbalanced (SCART)		

- Designs and specifications are subject to change without notice.
- Manufactured under license from Dolby Laboratories. "Dolby", "Pro Logic" and the double-D symbol are trademarks of Dolby Laboratories.
- DTS and DTS Digital Out are trademarks of Digital Theater Systems, Inc.
- SHOWVIEW is a trademark of Gemstar Development Corporation. The SHOWVIEW system is manufactured under license from Gemstar Development Corporation.(EF/ER/EU/EY/EZ models)
- VIDEO Plus+ and PlusCode are registered trademarks of Gemstar Development Corporation. The VIDEO Plus+ system is manufactured under license from Gemstar Development Corporation.(EK model)

SECTION 1 PRECAUTION

1.1 SAFTY PRECAUTIONS

Prior to shipment from the factory, JVC products are strictly inspected to conform with the recognized product safety and electrical codes of the countries in which they are to be sold. However, in order to maintain such compliance, it is equally important to implement the following precautions when a set is being serviced.

1.1.1 Precautions during Servicing

- (1) Locations requiring special caution are denoted by labels and inscriptions on the cabinet, chassis and certain parts of the product. When performing service, be sure to read and comply with these and other cautionary notices appearing in the operation and service manuals.
- (2) Parts identified by the Δ symbol and shaded (■) parts are critical for safety.
Replace only with specified part numbers.

NOTE :

Parts in this category also include those specified to comply with X-ray emission standards for products using cathode ray tubes and those specified for compliance with various regulations regarding spurious radiation emission.

- (3) Fuse replacement caution notice.
Caution for continued protection against fire hazard.
Replace only with same type and rated fuse(s) as specified.
- (4) Use specified internal wiring. Note especially:
 - Wires covered with PVC tubing
 - Double insulated wires
 - High voltage leads
- (5) Use specified insulating materials for hazardous live parts.
Note especially:
 - Insulation Tape
 - PVC tubing
 - Spacers
 - Insulation sheets for transistors
 - Barrier
- (6) When replacing AC primary side components (transformers, power cords, noise blocking capacitors, etc.) wrap ends of wires securely about the terminals before soldering.

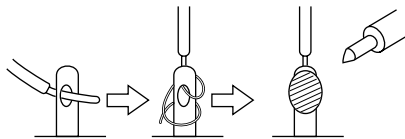


Fig.1-1-1

- (7) Observe that wires do not contact heat producing parts (heatsinks, oxide metal film resistors, fusible resistors, etc.)
- (8) Check that replaced wires do not contact sharp edged or pointed parts.
- (9) When a power cord has been replaced, check that 10-15 kg of force in any direction will not loosen it.

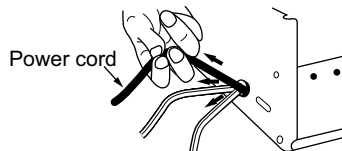


Fig.1-1-2

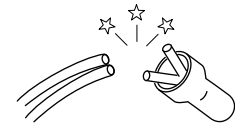
- (10) Also check areas surrounding repaired locations.
- (11) Products using cathode ray tubes (CRTs) In regard to such products, the cathode ray tubes themselves, the high voltage circuits, and related circuits are specified for compliance with recognized codes pertaining to X-ray emission.

Consequently, when servicing these products, replace the cathode ray tubes and other parts with only the specified parts. Under no circumstances attempt to modify these circuits. Unauthorized modification can increase the high voltage value and cause X-ray emission from the cathode ray tube.

- (12) Crimp type wire connector In such cases as when replacing the power transformer in sets where the connections between the power cord and power transformer primary lead wires are performed using crimp type connectors, if replacing the connectors is unavoidable, in order to prevent safety hazards, perform carefully and precisely according to the following steps.

- **Connector part number** :E03830-001
- **Required tool** : Connector crimping tool of the proper type which will not damage insulated parts.
- **Replacement procedure**

- a) Remove the old connector by cutting the wires at a point close to the connector. Important : Do not reuse a connector (discard it).



cut close to connector

Fig.1-1-3

- b) Strip about 15 mm of the insulation from the ends of the wires. If the wires are stranded, twist the strands to avoid frayed conductors.

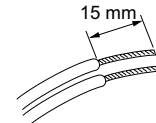


Fig.1-1-4

- c) Align the lengths of the wires to be connected. Insert the wires fully into the connector.

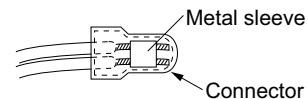


Fig.1-1-5

- d) As shown in Fig.1-1-6, use the crimping tool to crimp the metal sleeve at the center position. Be sure to crimp fully to the complete closure of the tool.

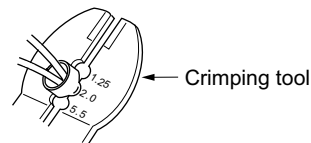


Fig.1-1-6

- e) Check the four points noted in Fig.1-1-7.

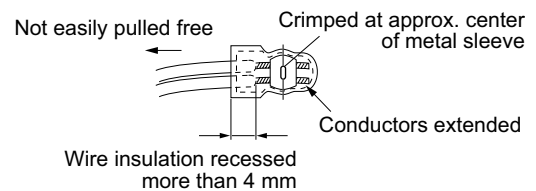


Fig.1-1-7

1.1.2 Safety Check after Servicing

Examine the area surrounding the repaired location for damage or deterioration. Observe that screws, parts and wires have been returned to original positions. Afterwards, perform the following tests and confirm the specified values in order to verify compliance with safety standards.

(1) Insulation resistance test

Confirm the specified insulation resistance or greater between power cord plug prongs and externally exposed parts of the set (RF terminals, antenna terminals, video and audio input and output terminals, microphone jacks, earphone jacks, etc.). See table 1 below.

(2) Dielectric strength test

Confirm specified dielectric strength or greater between power cord plug prongs and exposed accessible parts of the set (RF terminals, antenna terminals, video and audio input and output terminals, microphone jacks, earphone jacks, etc.). See Fig.1-1-11 below.

(3) Clearance distance

When replacing primary circuit components, confirm specified clearance distance (d), (d') between soldered terminals, and between terminals and surrounding metallic parts. See Fig.1-1-11 below.

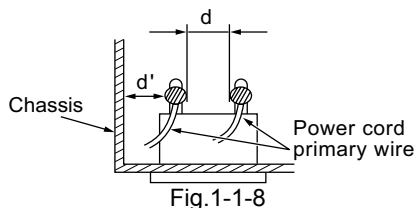


Fig.1-1-8

(4) Leakage current test

Confirm specified or lower leakage current between earth ground/power cord plug prongs and externally exposed accessible parts (RF terminals, antenna terminals, video and audio input and output terminals, microphone jacks, earphone jacks, etc.).

Measuring Method : (Power ON) Insert load Z between earth ground/power cord plug prongs and externally exposed accessible parts. Use an AC voltmeter to measure across both terminals of load Z. See Fig.1-1-9 and following Fig.1-1-12.

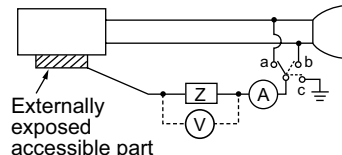
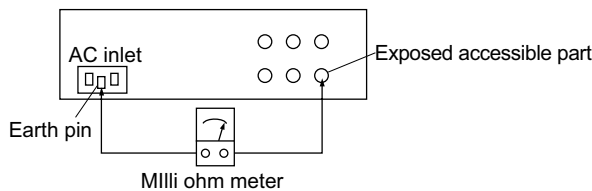


Fig.1-1-9

(5) Grounding (Class 1 model only)

Confirm specified or lower grounding impedance between earth pin in AC inlet and externally exposed accessible parts (Video in, Video out, Audio in, Audio out or Fixing screw etc.). Measuring Method:

Connect milli ohm meter between earth pin in AC inlet and exposed accessible parts. See Fig.1-1-10 and grounding specifications.



Grounding Specifications

Region	Grounding Impedance (Z)
USA & Canada	$Z \leq 0.1 \text{ ohm}$
Europe & Australia	$Z \leq 0.5 \text{ ohm}$

Fig.1-1-10

AC Line Voltage	Region	Insulation Resistance (R)	Dielectric Strength	Clearance Distance (d), (d')
100 V	Japan	$R \geq 1 \text{ M}\Omega/500 \text{ V DC}$	AC 1 kV 1 minute	$d, d' \geq 3 \text{ mm}$
100 to 240 V			AC 1.5 kV 1 minute	$d, d' \geq 4 \text{ mm}$
110 to 130 V	USA & Canada	$1 \text{ M}\Omega \leq R \leq 12 \text{ M}\Omega/500 \text{ V DC}$	AC 1 kV 1 minute	$d, d' \geq 3.2 \text{ mm}$
110 to 130 V 200 to 240 V	Europe & Australia	$R \geq 10 \text{ M}\Omega/500 \text{ V DC}$	AC 3 kV 1 minute (Class II) AC 1.5 kV 1 minute (Class I)	$d \geq 4 \text{ mm}$ $d' \geq 8 \text{ mm}$ (Power cord) $d' \geq 6 \text{ mm}$ (Primary wire)

Fig.1-1-11

AC Line Voltage	Region	Load Z	Leakage Current (i)	a, b, c
100 V	Japan	$1 \text{ k}\Omega$	$i \leq 1 \text{ mA rms}$	Exposed accessible parts
110 to 130 V	USA & Canada	$0.15 \mu\text{F}$ and $1.5 \text{ k}\Omega$	$i \leq 0.5 \text{ mA rms}$	Exposed accessible parts
110 to 130 V 220 to 240 V	Europe & Australia	$2 \text{ k}\Omega$	$i \leq 0.7 \text{ mA peak}$ $i \leq 2 \text{ mA dc}$	Antenna earth terminals
		$50 \text{ k}\Omega$	$i \leq 0.7 \text{ mA peak}$ $i \leq 2 \text{ mA dc}$	Other terminals

Fig.1-1-12

NOTE :

These tables are unofficial and for reference only. Be sure to confirm the precise values for your particular country and locality.

1.2 Preventing static electricity

Electrostatic discharge (ESD), which occurs when static electricity stored in the body, fabric, etc. is discharged, can destroy the laser diode in the traverse unit (optical pickup). Take care to prevent this when performing repairs.

1.2.1 Grounding to prevent damage by static electricity

Static electricity in the work area can destroy the optical pickup (laser diode) in devices such as DVD players.

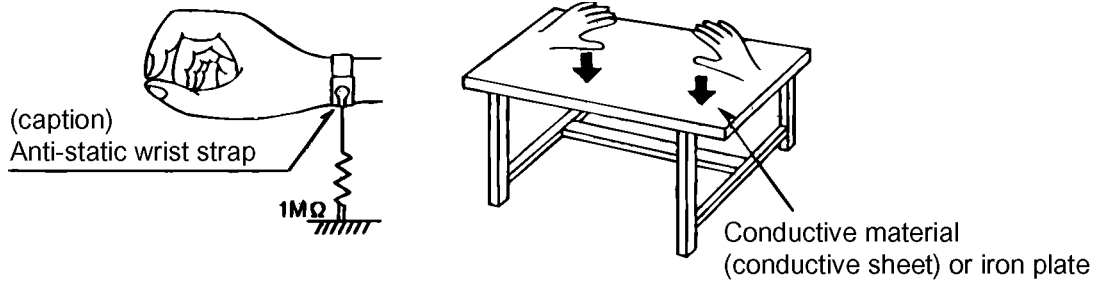
Be careful to use proper grounding in the area where repairs are being performed.

(1) Ground the workbench

Ground the workbench by laying conductive material (such as a conductive sheet) or an iron plate over it before placing the traverse unit (optical pickup) on it.

(2) Ground yourself

Use an anti-static wrist strap to release any static electricity built up in your body.



(3) Handling the optical pickup

- In order to maintain quality during transport and before installation, both sides of the laser diode on the replacement optical pickup are shorted. After replacement, return the shorted parts to their original condition. (Refer to the text.)
- Do not use a tester to check the condition of the laser diode in the optical pickup. The tester's internal power source can easily destroy the laser diode.

SECTION 2

SPECIFIC SERVICE INSTRUCTIONS

2.1 DIFFERENT TABLE OF FEATURE

The following table indicates main different points between models HR-XV45SEF, HR-XV45SEK, HR-XV45SER, HR-XV45SEU and HR-XV45SEY/EZ.

MODEL NAME	HR-XV45SEF	HR-XV45SEK	HR-XV45SER
SCART CABLE	PROVIDED	←	OPTIONAL
BROADCASTING SYSTEM	PAL B/G, SECAM L	PAL I, I/I, B/G, SECAM D/K, K1	←
RF OUT CH/RF OUT SYSTEM [INITIAL]	NOT USED	22-68CH,[36CH]/I	22-68CH,[36CH]/K
OSD LANGUAGES	ENGLISH/GERMANY/FRENCH/ ITALIAN/SPANISH/DUTCH	ENGLISH/GERMANY/ITALIAN/ SPANISH/GREEK/PORTU- GUESE	ENGLISH/RUSSIAN
REGIONAL CODE	REGIONAL CODE : 2	←	REGIONAL CODE : 5

MODEL NAME	HR-XV45SEU	HR-XV45SEY/EZ
SCART CABLE	OPTIONAL	←
BROADCASTING SYSTEM	PAL I, I/I, B/G, SECAM D/K, K1	←
RF OUT CH/RF OUT SYSTEM [INITIAL]	22-68CH,[36CH]/G	←
OSD LANGUAGES	ENGLISH/GERMANY/ITALIAN/ SPANISH/GREEK/PORTU- GUESE	ENGLISH/POLISH/CZECH/ HUNGARIAN/SWEDISH/GER- MANY
REGIONAL CODE	REGIONAL CODE : 2	←

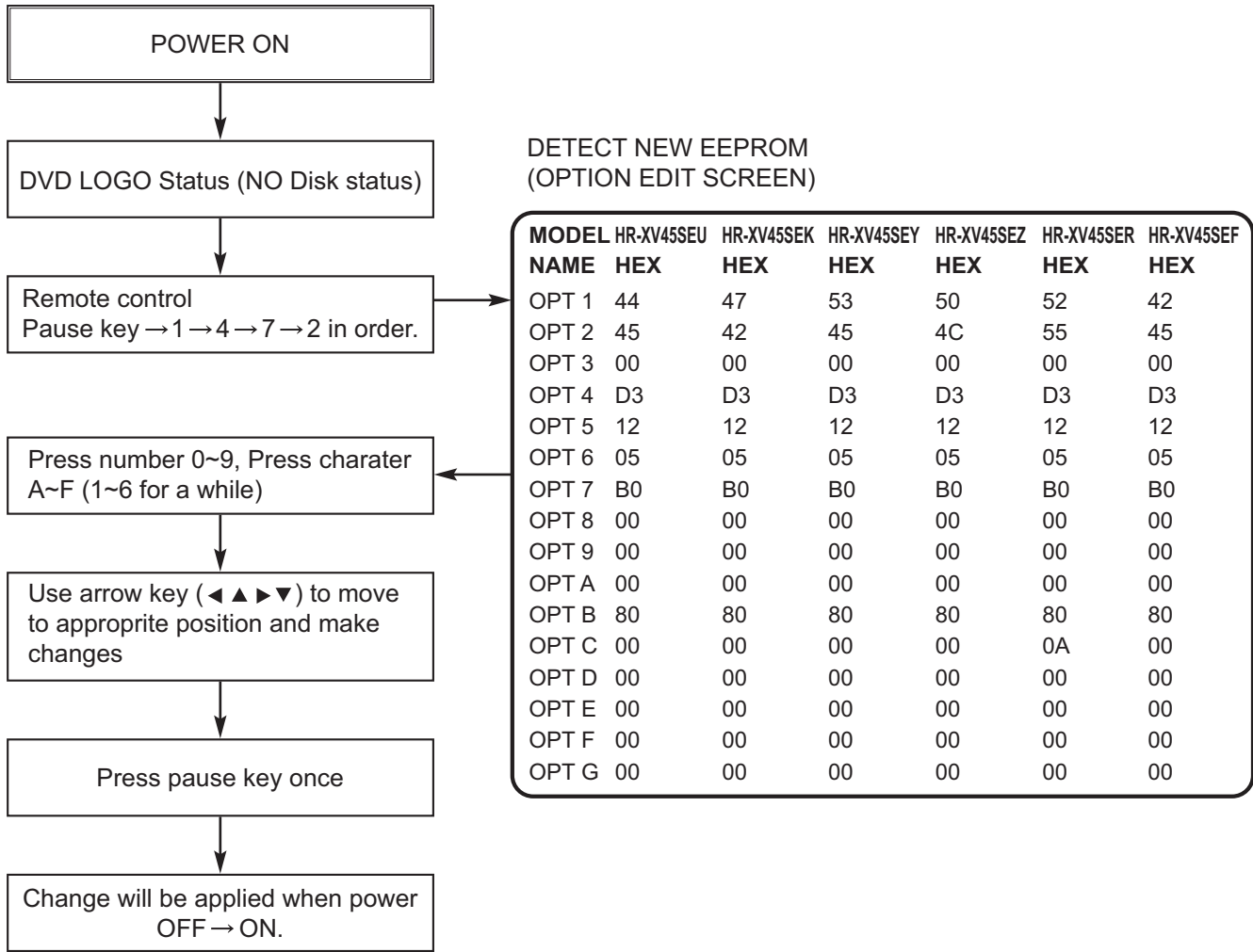
Note:

Mark ← is same as left.

2.2 SERVICE INFORMATION FOR EEPROM IC SETTING(VCR)

EEPROM option code No. setting			EEPROM option code No. setting procedure	
NAME	HEX	BINARY	<ol style="list-style-type: none"> 1. DETECT NEW EEPROM (OPTION EDIT SCREEN) <ul style="list-style-type: none"> - Eeprom EDIT screen automatically appears if replacing Eeprom. - Setup option data using the cursor Up/Down key of a remote control. (Setup upon BOM depending on OPT0~OPT5 model) ▪ Since an initial remote control is set to LG for LG model, appropriately set optiona data using the cursor Up/Down key. 2. EEPROM WRITED AND EEPROM INITIAL <ul style="list-style-type: none"> - Writes data on EEPROM by using REMOCON "OK" + FRONT PLAY KEY FOR MORE THAN 5 SECONDS. 3. PG ADJUST <ol style="list-style-type: none"> 1) Payback the SP standard tape 2) Press the "OK" key on the Remote controller and the "PLAY" key on the Front Panel the same time, then it goes in to Tracking initial mode. 3) Repeat the above step(No.2), then it finishes the PG adjusting automatically. 4) Stop the playback, then it goes out to PG adjusting mode after mony the PG data. 4. BUYER SELECTION <ul style="list-style-type: none"> - Font ejection key + open/close key for more than 5 seconds. - Option code is displayed in TV - First byte of OPT0 is changed whenever front eject key + open/close key. - JVC remote conroller No.0. 	
OPT0	00	00000000		
OPT1	00	00000000		
OPT2	00	00000000		
OPT3	00	00000000		
OPT4	00	00000000		
OPT5	00	00000000		
12/26 -	00	V00 ← μ-COM Ver.		
	ID : LG			
	VERSION : 05	ROM		
	DATE : 02.17.05	Correction Ver.		
MODEL	NAME	HEX	BINARY	
HR-XV45SEU	OPT0	00	00000000	
	OPT1	F4	00000000	
	OPT2	60	00000000	
	OPT3	47	00000000	
	OPT4	03	00000000	
HR-XV45SEK	OPT5	4B	00000000	
	OPT0	00	00000000	
	OPT1	F4	00000000	
	OPT2	21	00000000	
	OPT3	87	00000000	
HR-XV45SEY	OPT4	0D	00000000	
	OPT5	4B	00000000	
	OPT0	00	00000000	
	OPT1	F4	00000000	
	OPT2	60	00000000	
HR-XV45SEZ	OPT3	47	00000000	
	OPT4	0B	00000000	
	OPT5	4B	00000000	
	OPT0	00	00000000	
	OPT1	D4	00000000	
HR-XV45SER	OPT2	60	00000000	
	OPT3	47	00000000	
	OPT4	0D	00000000	
	OPT5	4B	00000000	
	OPT0	09	00000000	
HR-XV45SEF	OPT1	54	00000000	
	OPT2	A3	00000000	
	OPT3	47	00000000	
	OPT4	0D	00000000	
	OPT5	4B	00000000	
	OPT0	00	00000000	
	OPT1	FC	00000000	
	OPT2	E8	00000000	
	OPT3	47	00000000	
	OPT4	0D	00000000	
	OPT5	4B	00000000	
WR : OK I : EXIT MOVE : ◀▶				
EDIT : ▲▼				

2.3 SERVICE INFORMATION FOR EEPROM (DVD)



*** OPTION**

- NTSC model does not have VCR option and use DVD option B~F as VCR option. (only DVD exist)
- PAL model has another separate VCR option. (Both VCR and DVD exist)

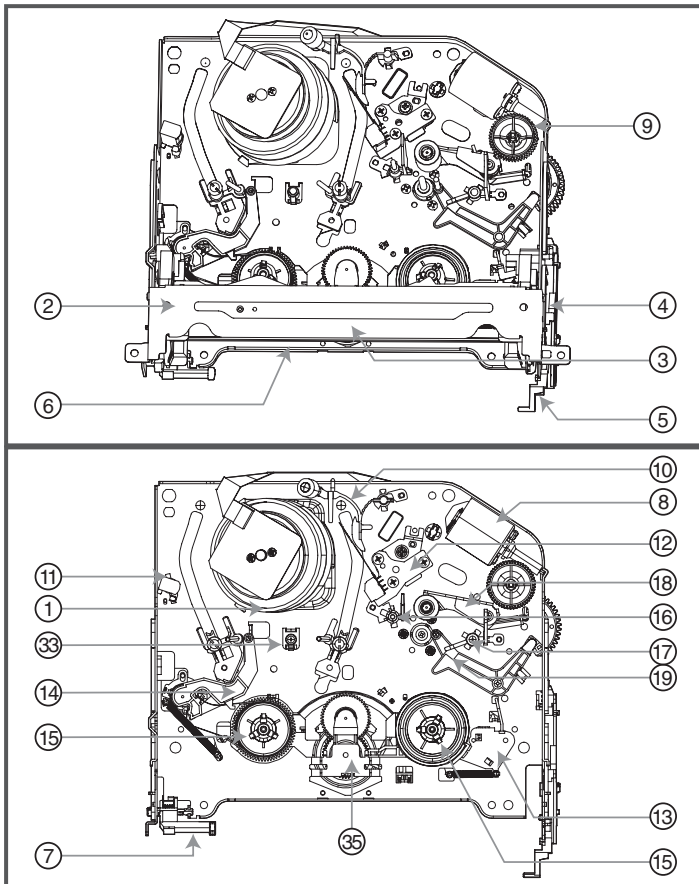
SECTION 3 DISASSEMBLY

This service manual does not describe DISASSEMBLY.

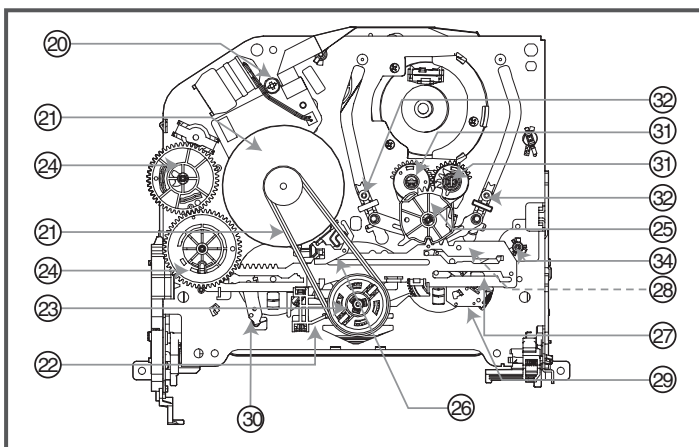
SECTION 4 ADJUSTMENT

4.1 POSITION DRAWING OF DECK MECHANISM PARTS (VCR)

• Top View



• Bottom View



Order Of Dis-assembly Parts firstly Disassembled	Part	Fixing Type	Ref. Draw-ings	Posi-tion
1	Drum Assembly	3 screws	A-1	T
2	Plate Top	2 hooks	A-2	T
2	3 Holder Assembly CST	6 chasses	A-2	T
2,3	4 Gear Assembly Rack F/L	1 hook	A-2	T
2,3,4	5 Opener Door	Chassis Hole	A-2	T
2,3,4,5	6 Arm Assembly F/L	Chassis Hole	A-2	T
	7 Lever Assembly S/W	Chassis Hole, 1 hook	A-2	T
	8 Motor Assembly L/D	1 screw	A-3	T
	9 Gear Wheel	2 hooks	A-3	T
	10 Arm Assembly Cleaner	Chassis Embossing	A-3	T
	11 Head F/E	Chassis Embossing	A-3	T
	12 Base Assembly A/C Head	1 screw	A-3	T
2,3	13 Brake Assembly T	1 hook	A-4	T
2,3	14 Arm Assembly Tension	1 hook	A-4	T
2,3,13,14	15 Reel S / Reel T	Shaft	A-4	T
	16 Base Assembly P4	Chassis Embossing	A-5	T
	17 Opener Lid	Chassis Embossing	A-5	T
17	18 Arm Assembly Pinch	Shaft	A-5	T
17	19 Arm T/up	1 hook	A-5	T
	20 Supporter, capstan	Chassis Hole	A-6	B
17,18	21 Belt Capstan/Motor Capstan	3 screws	A-6	B
	22 Lever F/R	Tab	A-6	B
21,22	23 Clutch Assembly D37	Washer	A-6	B
	24 Gear Drive/Gear Cam	Washer/Hook	A-7	B
	25 Gear Sector	Hook	A-7	B
21	26 Brake Assembly Capstan	Chassis Hole	A-7	B
21,22,23, 24,25,26	27 Plate Slider	Chassis Guide	A-7	B
21,22,23, 24,25,26,27	28 Lever Tension	1 Hook	A-7	B
21,22,23, 24,25,26,27	29 Lever Spring	1 Hook	A-7	B
21,22,23, 24,25,26,27	30 Lever Brake	1 Hook	A-7	B
25	31 Gear Assembly P2/ Gear Assembly P3	Bass	A-8	B
2,3,14, 25,31	32 Base Assembly P2 /Base Assembly P3	6 Chasses	A-8	B
25,31	33 Base Loading	3 Hooks	A-8	B
2,3,14	34 Base Tension	Chassis Embossing	A-9	T
	35 Arm Assembly Idler Jog	Locking Tab	A-9	T

T:Top, B:Bottom

NOTE : Assembly order is a reverse of disassembly order.

- (1) For assembly, check the assembly mode is accurate.
- (2) Parts firstly disassembled indicate parts firstly disassembled in disassembly of related parts.

4.2 DISASSEMBLY AND ASSEMBLY OF DECK MECHANISM (VCR)

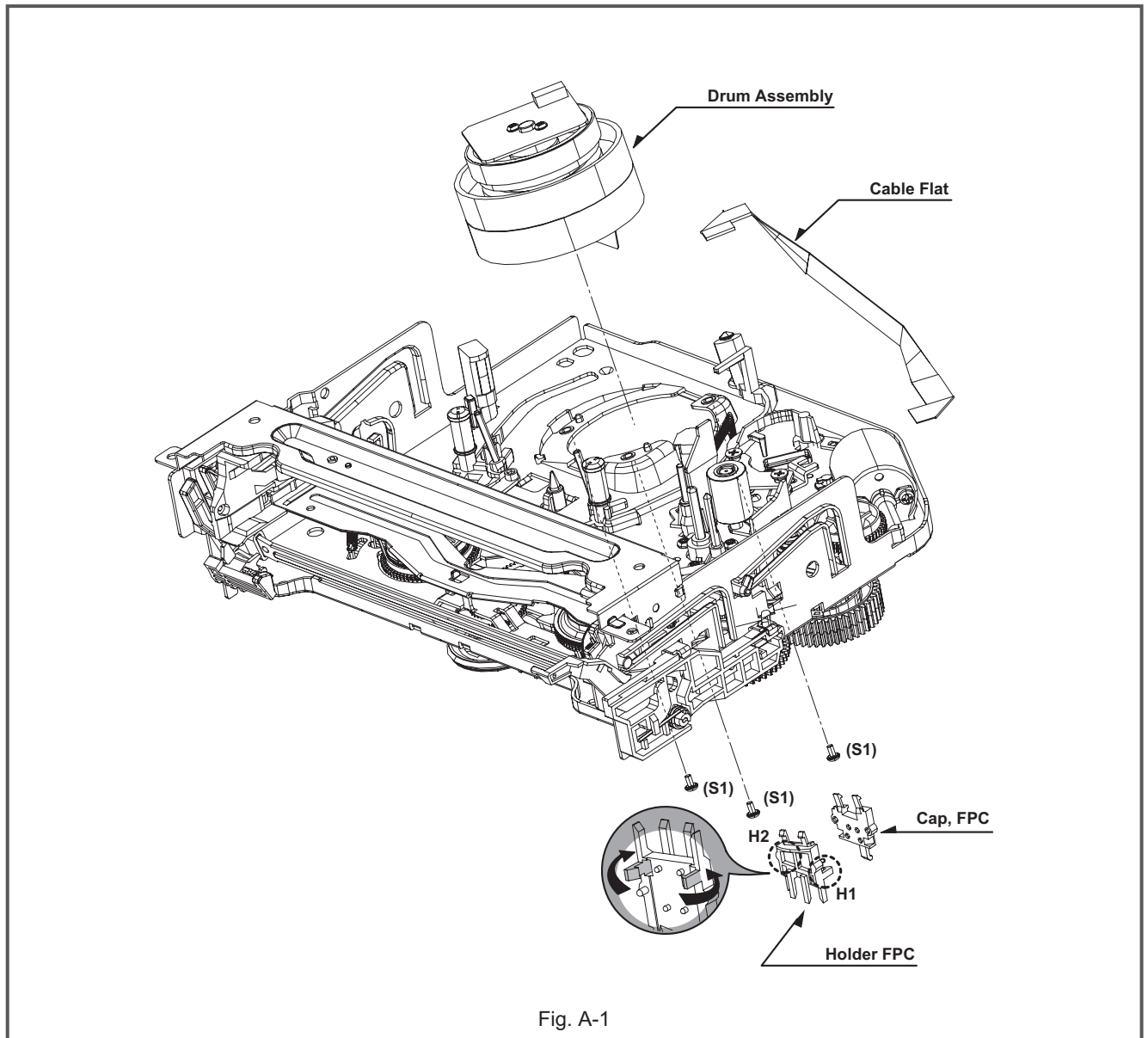
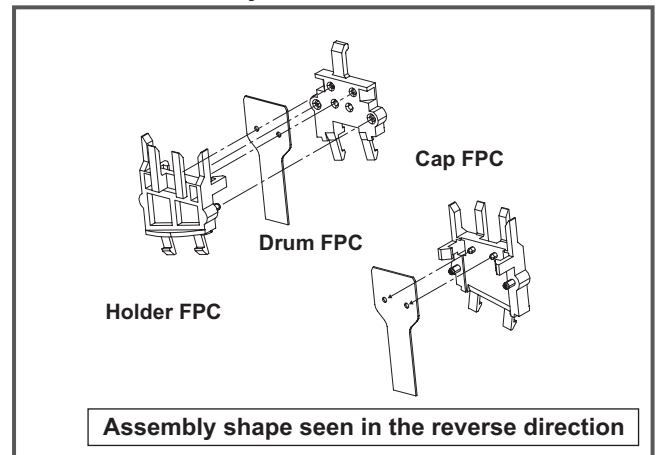


Fig. A-1

1. Disassembly of Drum Assembly (Figure A-1)

- 1) Separate cable flat from the Drum FPC and the Capstan Motor.
- 2) Release 3 screws (S1) on the bottom side of the chassis, and separate the drum assembly.
- 3) Release the hooks (H1, H2) and separate both the holder FPC and the Cap FPC (disassemble if necessary).

Cautions in assembly of FPC



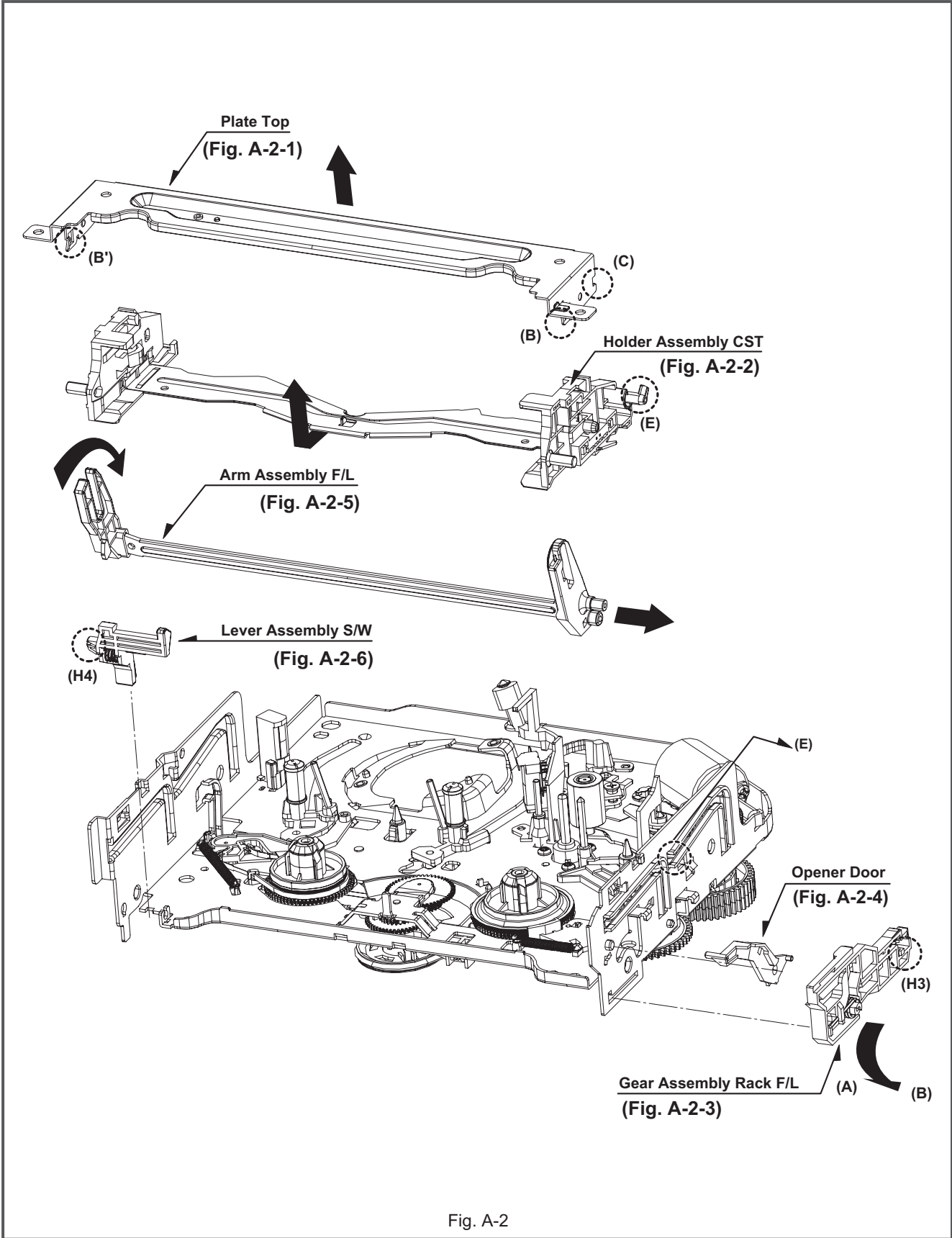


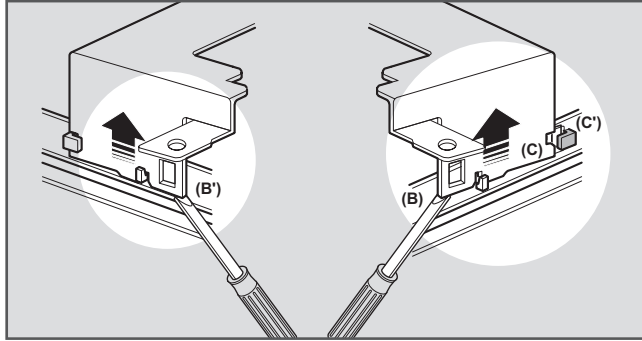
Fig. A-2

2. Disassembly of Plate Top (Fig. A-2-1)

- 1) Separate the right part while leaning back the (B) part of the plate top toward the arrow direction.
- 2) Separate the left part while leaning back the (B f) part of the plate top toward the arrow direction.
(Tool used: Tool such as (-) driver, auger, etc with pointed or flat end)

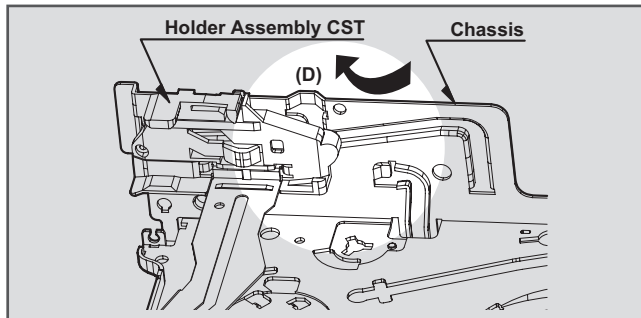
CAUTIONS

Assemble while pressing the (C), (C') part after corresponding them as in drawing.



3. Holder Assembly CST (Fig. A-2-2)

- 1) Firstly separate the left part from the groove on the (D) part of chassis while moving the holder assembly CST toward the arrow direction.



- 2) Separate the right part from each groove of chassis

CAUTIONS

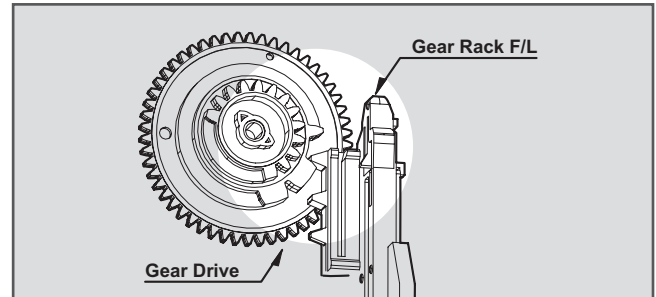
Assemble by inserting the left part after firstly inserting the (E) part of the holder assembly CST into the groove on the (E') part of chassis.

4. Disassembly of Gear Assembly Rack F/L (Fig. A-2-3)

- 1) Separate the hook (H3) while leaning ahead the hook (3) after moving the gear assembly rack F/L toward the arrow (A) direction.
- 2) Separate the gear assembly rack F/L toward the arrow (B) direction.

CAUTIONS

For the assembly, correspond the gear part of gear assembly rack F/L to the gear drive.



5. Opener Door (Fig. A-2-4)

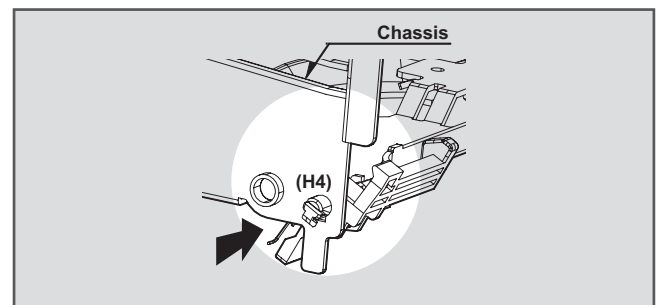
- 1) Separate the opener door ahead from the guide hole of chassis while turning it clockwise.

6. Arm Assembly F/L (Fig. A-2-5)

- 1) Firstly separate the left part of the arm assembly F/L from the groove of chassis while pushing the arm assembly F/L toward the arrow direction.
- 2) Separate the right part from the groove of chassis.)

7. Lever Assembly S/W (Fig. A-2-6)

- 1) Separate the lever assembly S/W while pushing it toward the arrow direction after removing the hook (4) on the left side of chassis.



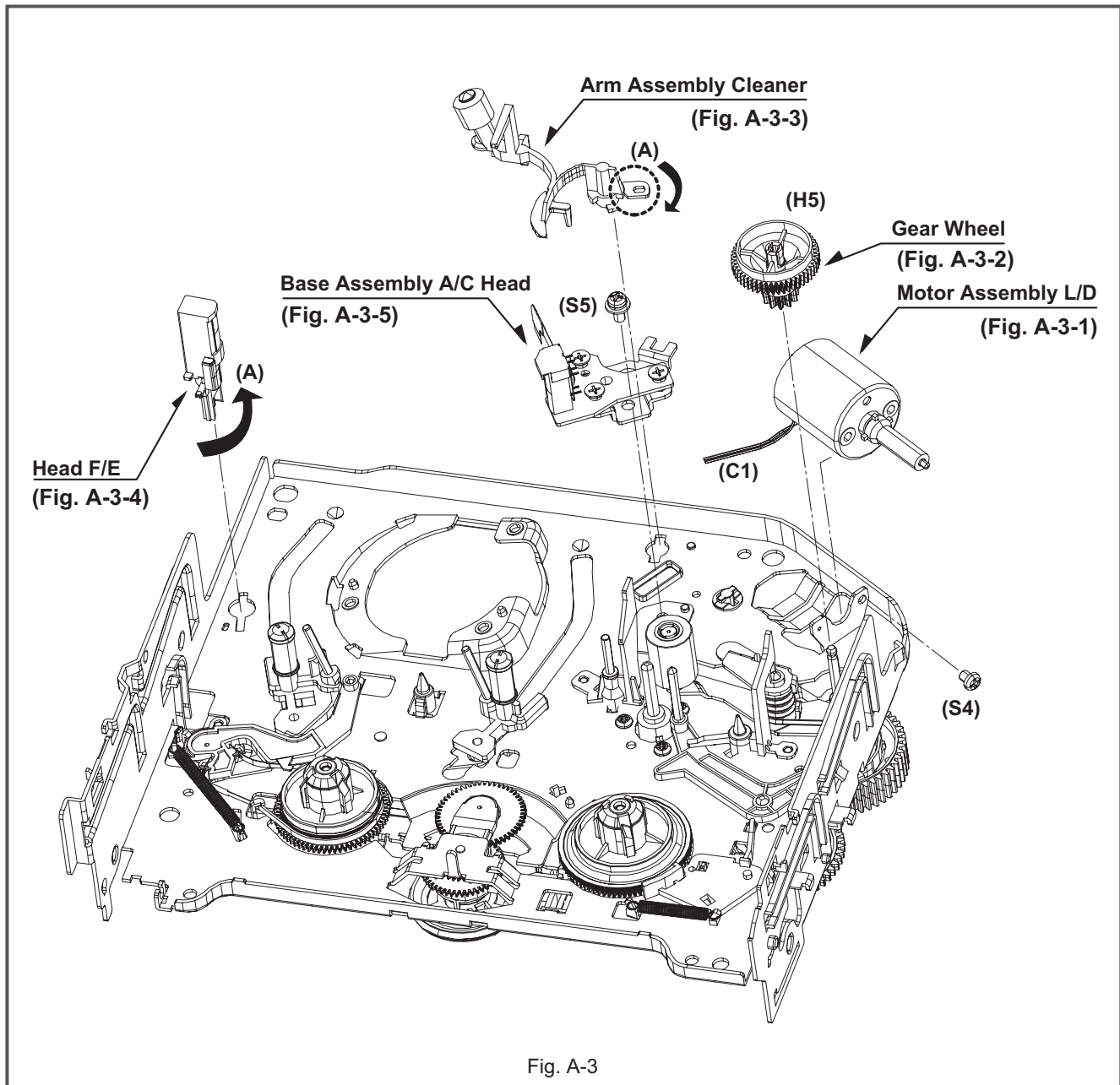


Fig. A-3

8. Motor Assembly L/D (Fig. A-3-1)

- 1) Take the connector (C1) connected to the Capstan motor PCB out.
- 2) Remove a screw (S4) of the chassis (S4) and step backward, and disassemble it while holding it up.

9. Gear Wheel (Fig. A-3-2)

- 1) Release the hook (H5) of the gear wheel and disassemble it upward.

10. Arm Assembly Cleaner (Fig. A-3-3)

- 1) Separate the (A) part of Fig. A-3-1 from the embossing of chassis, and hold it up while turning it anti-clockwise.

11. Head F/E (Fig. A-3-4)

- 1) Separate the (A) part of the head F/E from the embossing of chassis, and hold it up while turning it anti-clockwise.

12. Base Assembly A/C Head (Fig. A-3-5)

- 1) Release a screw (S5) and disassemble while holding it up.

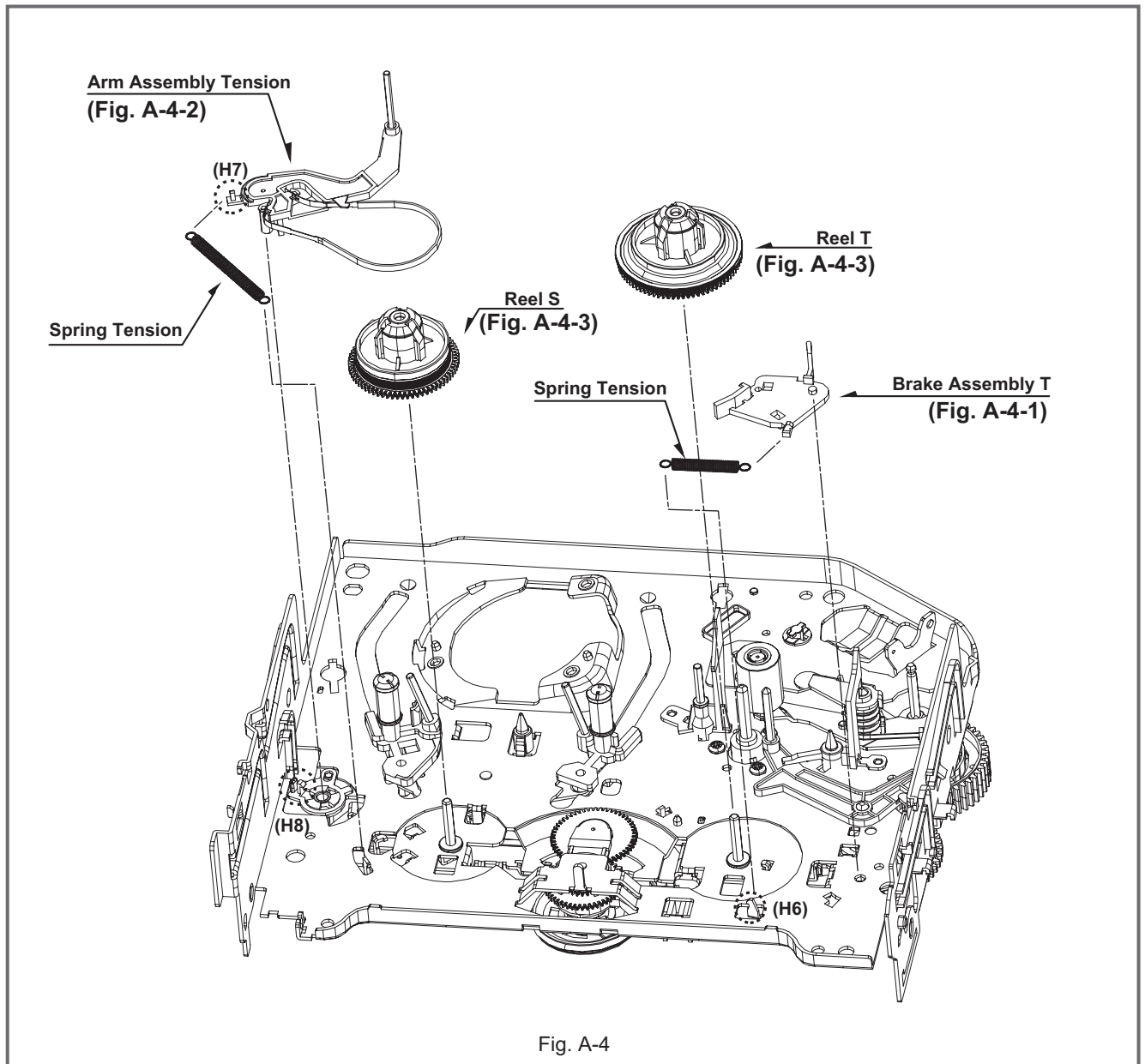


Fig. A-4

13. Brake Assembly T (Fig. A-4-1)

- 1) Release the spring tension from the lever spring hook (H6).
- 2) Disassemble the brake assembly T while holding it upward.

14. Arm Assembly Tension (Fig. A-4-2)

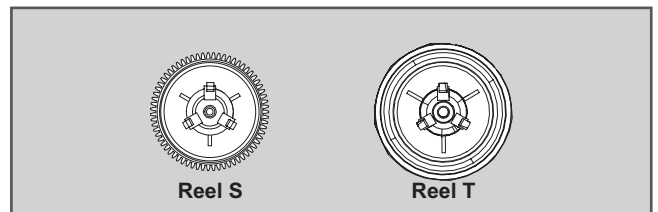
- 1) Release the spring tension the hook (H7) from the arm assembly tension.
- 2) After releasing the hook (H8) of the base tension, separate it while holding it up.

CAUTIONS

Spring used for both brake assembly T and arm assembly tension is used (2EA used).

15. Reel S/Reel T (Fig. A-4-3)

- 1) Disassemble the reel S/ reel T while holding it up (comparison between Reel S and Reel T)



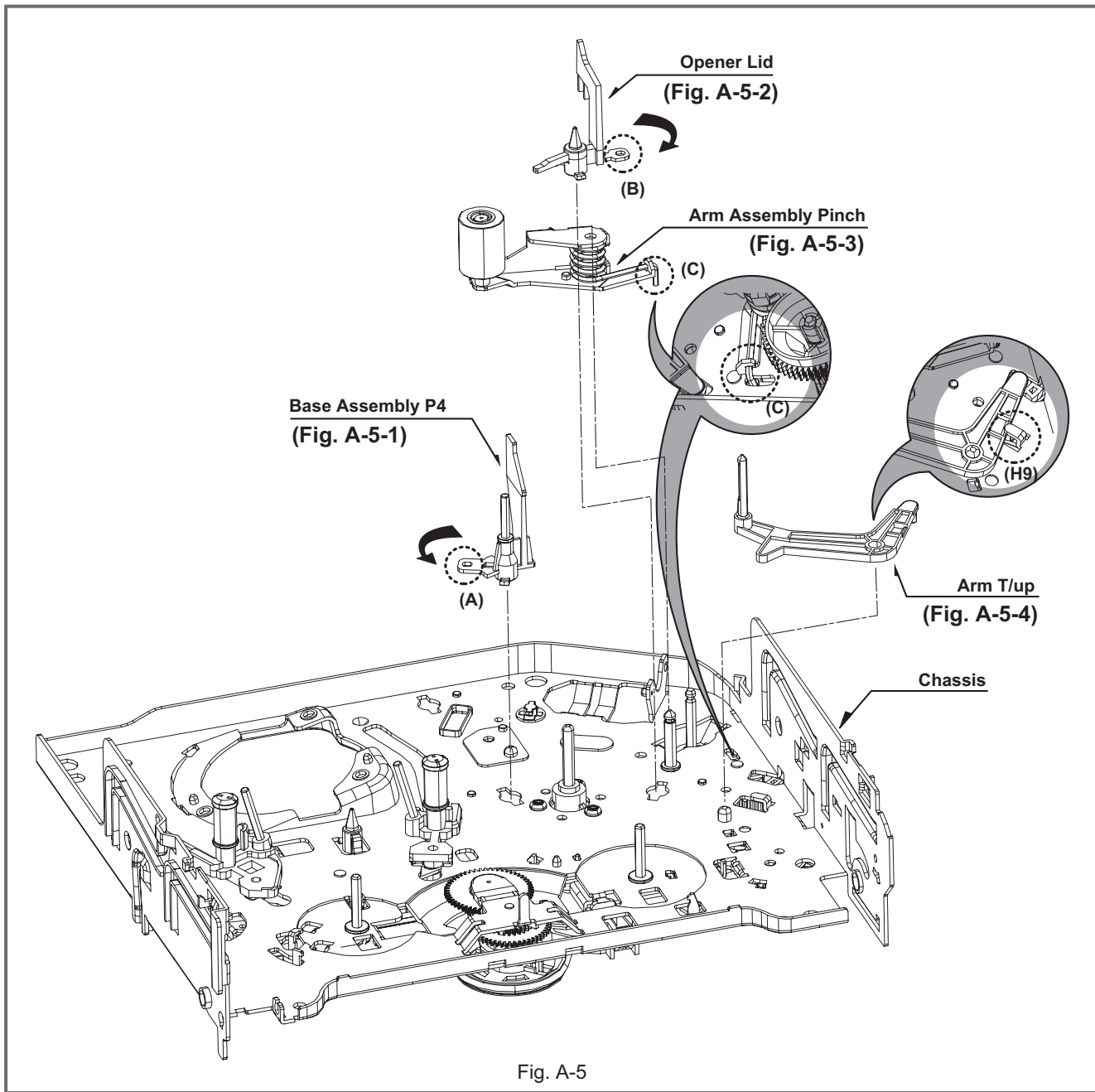


Fig. A-5

16. Base Assembly P4 (Fig. A-5-1)

- 1) Release the (A) part of the base assembly P4 from the embossing of chassis.
- 2) Hold the base assembly P4 up while turning it anti-clockwise.

17. Opener Lid (Fig. A-5-2)

- 1) Release the (B) part of the opener lid from the embossing of chassis.
- 2) Disassemble the opener lid upward while turning it anticlockwise.

18. Arm Assembly Pinch (Fig. A-5-3)

- 1) Hold the arm assembly pinch up.

19. Arm T/up (Fig. A-5-4)

- 1) Turn the arm T/up to release the anchor jaw (H9) part of chassis and then hold it upward.

CAUTIONS

For the assembly, check the (C) part of the arm assembly pinch is assembled as in drawing.

- REVERSE THE MECHANISM.

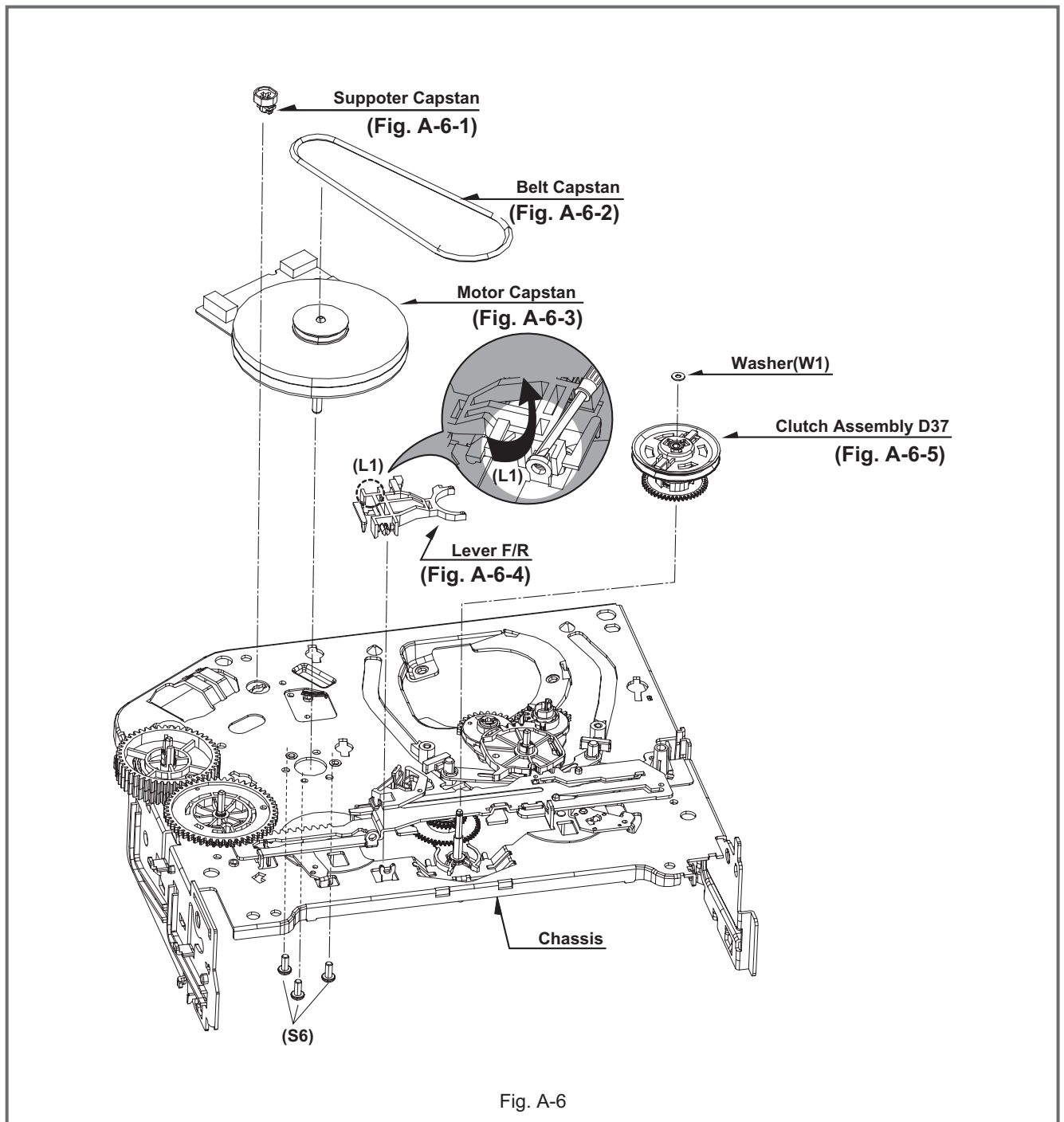


Fig. A-6

20. Supporter, Capstan (Fig. A-6-1)

- 1) Turn the supporter and Capstan by 90 deg. clockwise with a driver for disassembly.

21. Belt Capstan (Fig. A-6-2) / Motor Capstan (Fig. A-6-3)

- 1) Separate the belt Capstan.
- 2) Undo 3 screws (S6) on the bottom side of chassis and disassemble it upward.

22. Lever F/R (Fig. A-6-4)

- 1) Release the locking tab (L1) and then disassemble it upward.

23. Clutch Assembly D37 (Fig. A-6-5)

- 1) Remove the washer (W1) and then disassemble it upward.

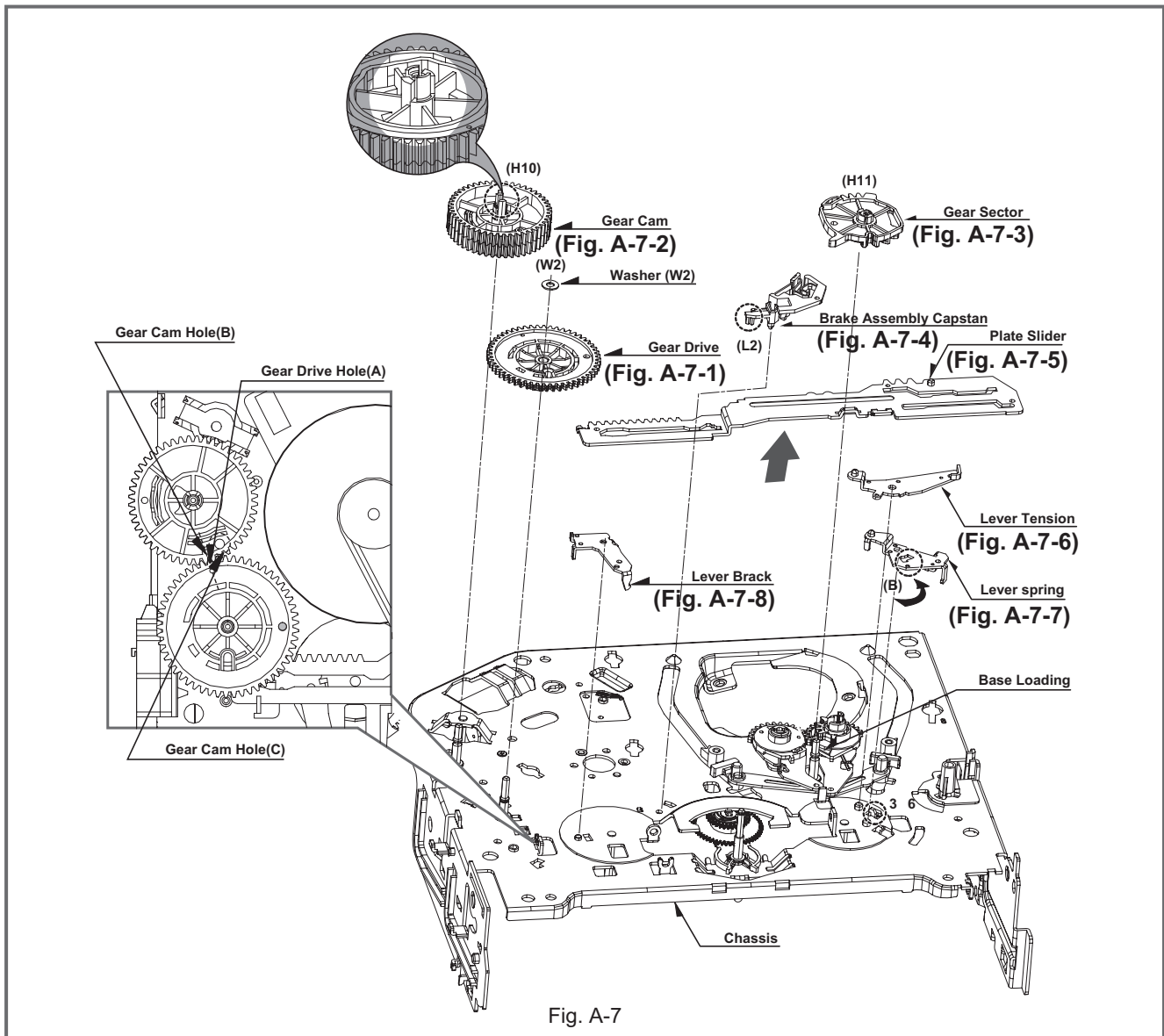


Fig. A-7

24. Gear Drive (Fig. A-7-1)/Gear Cam (Fig. A-7-2)

- 1) Remove the washer (W2) and then disassemble the gear drive.
- 2) Release the hook (H10) of the gear cam and then disassemble it upward.

CAUTIONS

For the assembly, adjust both the gear driver hole (A) and the gear cam hole (B) straightly and then correspond the gear cam hole (C) to the chassis hole.

25. Gear Sector (Fig. A-7-3)

- 1) Release the hook (H11) of the gear sector and then hold the gear sector upward.

26. Brake Assembly Capstan (Fig. A-7-4)

- 1) Release the locking tab (L2) on the bottom side of the plate slider and then disassemble it upward.

27. Plate Slider (Fig. A-7-5)

- 1) Disassemble the plate slider while holding it up.

28. Lever Tension (Fig. A-7-6)

- 1) Release the lever tension from the guide (A) of chassis while turning it anti-clockwise.
- 2) Disassemble the lever tension while holding it up.

29. Lever Spring (Fig. A-7-7)

- 1) Release the (B) part of the lever spring from the guide (A) of chassis while turning it anti-clockwise.
- 2) Disassemble the lever tension while holding it up.

30. Lever Brake (Fig. A-7-8)

- 1) Disassemble the lever brake while holding it up.

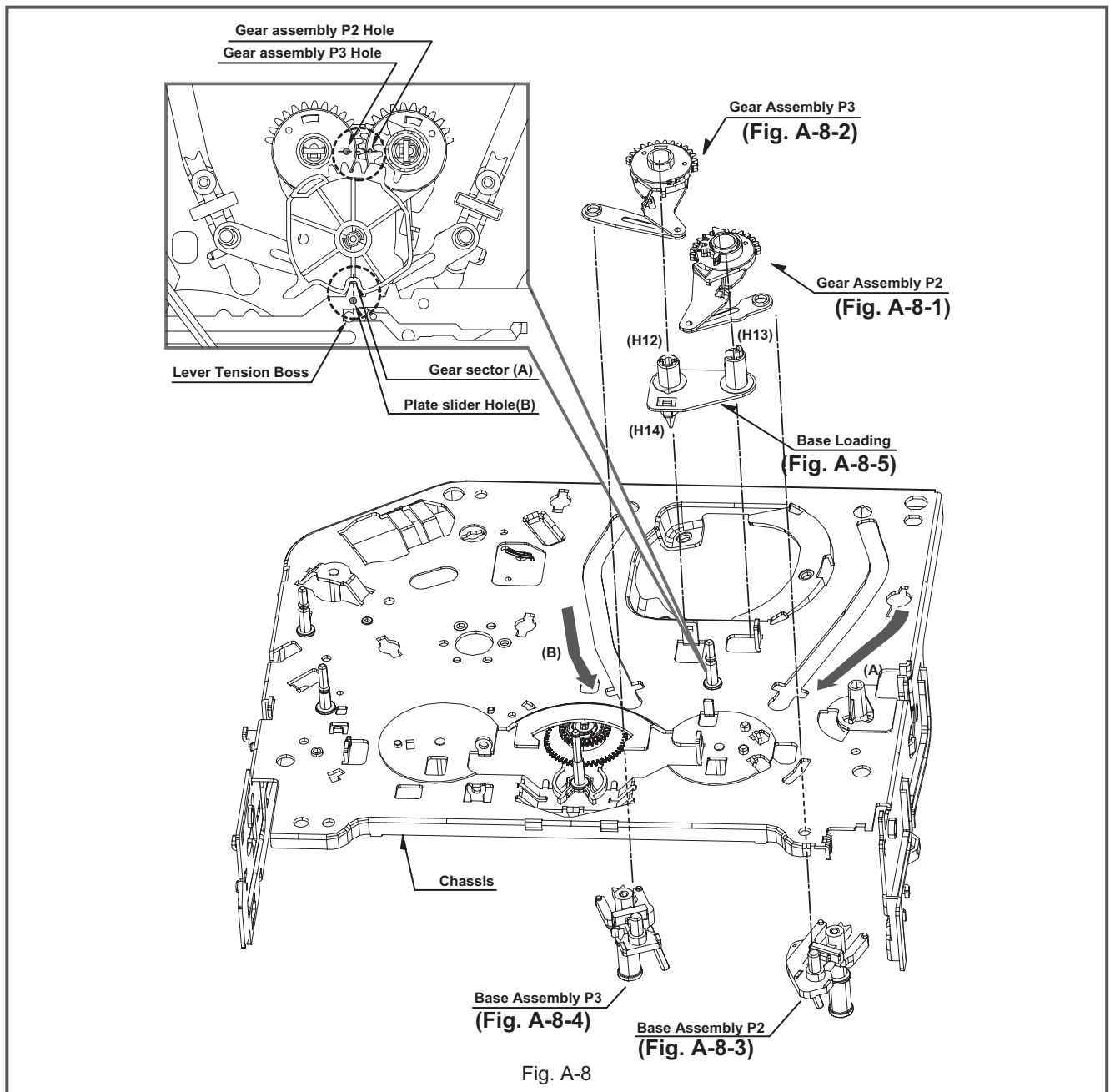


Fig. A-8

**31. Gear Assembly P2 (Fig. A-8-1)/
Gear Assembly P3 (Fig. A-8-2)**

- 1) Hold the gear assembly P2 upward.
- 2) Hold the gear assembly P3 upward.

CAUTIONS

For the assembly, check the holes of both the gear assembly P2 and the P3 are adjusted straightly, and then correspond the gear section groove (A) to the plate slider hole (B).

**32. Base Assembly P2 (Fig. A-8-3)/
Base Assembly P3 (Fig. A-8-4)**

- 1) Disassemble the base assembly P2 downward while moving it toward the arrow (A) direction along with the guide hole of chassis.
- 2) Disassemble the base assembly P2 downward while moving it toward the arrow (B) direction along with the guide hole of chassis.

33. Base Loading (Fig. A-8-5)

- 1) Release 3 hooks (H12, 13, 14) of the base loading, and then disassemble them upward.

- REVERSE THE MECHANISM.

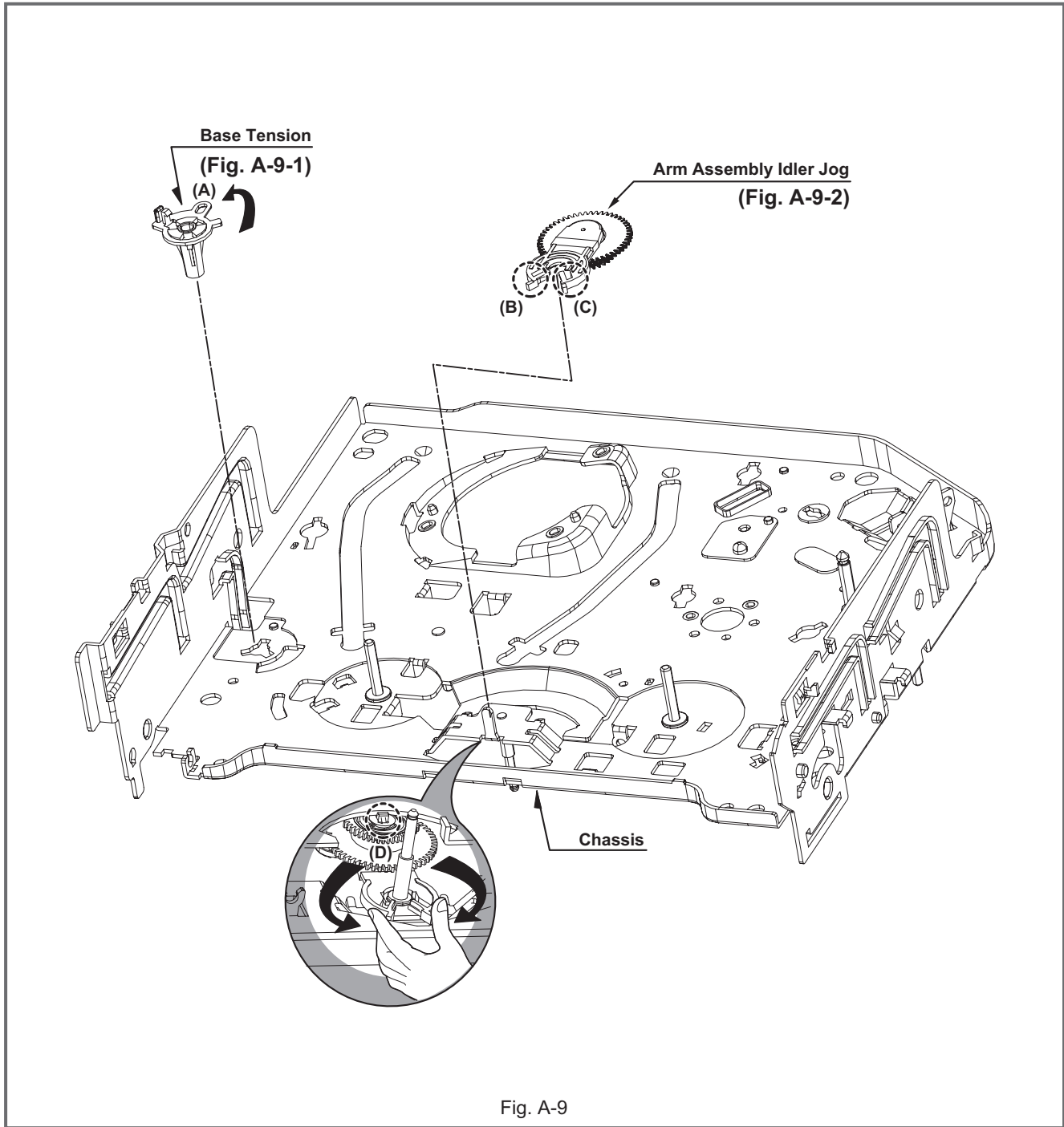


Fig. A-9

34. Base Tension (Fig. A-9-1)

- 1) Release the (A) part of the base tension from the embossing of chassis.
- 2) Hold the base tension upward while turning it anti-clockwise.

35. Arm assembly Idler Jog (Fig. A-9-2)

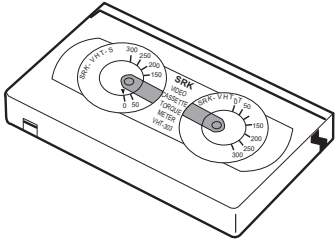
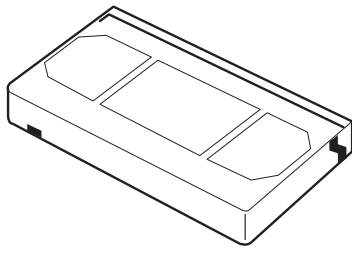
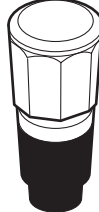
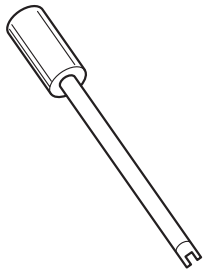
- 1) Push both (B), (C) parts in Fig. A-9-2 toward the arrow direction.
- 2) Disassemble the arm assembly idler upward.

CAUTIONS

Take care to ensure that the (D) part in the drawing is not hung to chassis in disassembly.

4.3 DECK MECHANISM ADJUSTMENT (VCR)

4.3.1 Tools and Fixfures for Service

<p>1. Cassette Torque Meter PUJ42881</p>  <p>A rectangular cassette torque meter with two circular gauges on top. The gauges have scales from 0 to 300. Text on the device includes 'SRK', 'NTSC', 'PAL', 'MHP', and 'MHPE'.</p>	<p>2. Alignment Tape NTSC: MHP PAL: MHPE</p>  <p>A rectangular alignment tape with a central slot and two side slots.</p>	<p>3. Torque Gauge PUJ48075-2</p>  <p>A cylindrical torque gauge with a hexagonal top and a black base.</p>
<p>5. Post Height Adjusting Driver (Roller driver) PTU94002</p>  <p>A long, thin roller driver with a cylindrical handle and a small hook at the end.</p>		

4.3.2 Mechanism Assembly Mode Check

Purpose of adjustment : To make tools normally operate by positioning tools accurately.		
Fixtures and tools used	VCR (VCP) status	Checking Position
• Blank Tape (empty tape)	• Eject Mode (with cassette withdrawn)	• Mechanism and Mode Switch
1) Turn the VCR on and take the tape out by pressing the eject button. 2) Separate both top cover and plate top, and check both the hole (A) of gear cam and the hole (A') of chassis correspond (Fig. C-2). 3) If it is done as in the paragraph 2): Turn the gear cam as in No.2) after mantling the motor assembly L/D. 4) Undo the screw fixing the deck and the main frame, and separate the deck assembly. Check both the hole (A) of gear cam and the hole (A') of chassis correspond (Fig. C-1). 5) Check the mode S/W on the main P.C. board locates at a proper position as in (B) of the Fig. (C-1). 6) Connect the deck to the main P.C. board and perform all types of test.		

CHECK DIAGRAM

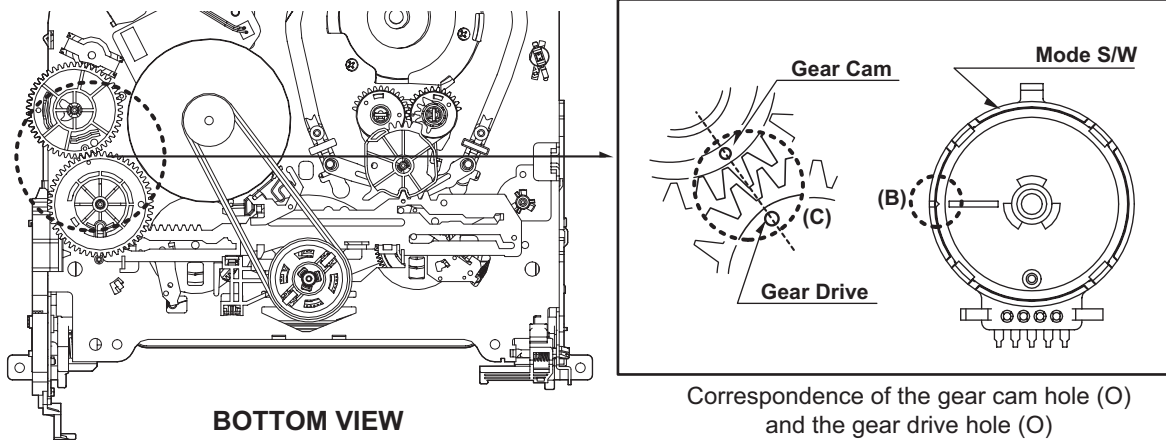


Fig. C-1

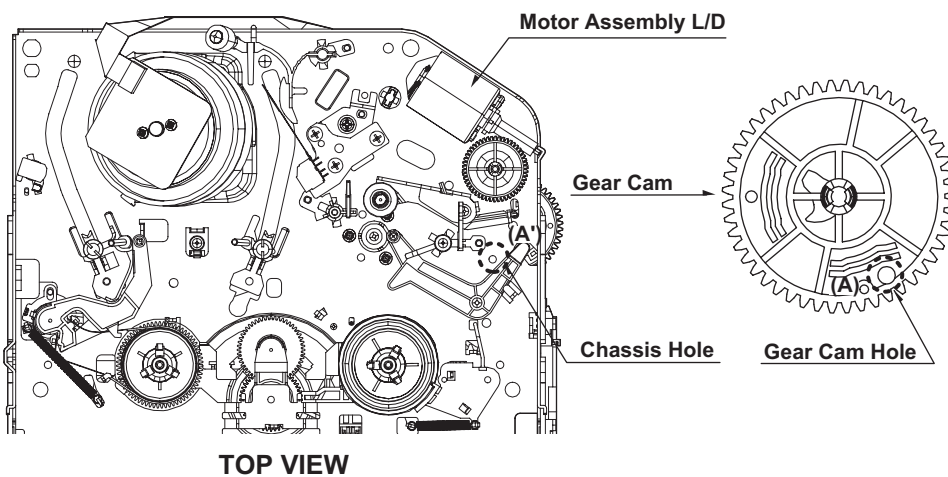


Fig. C-2

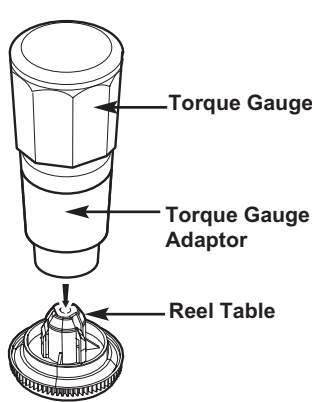
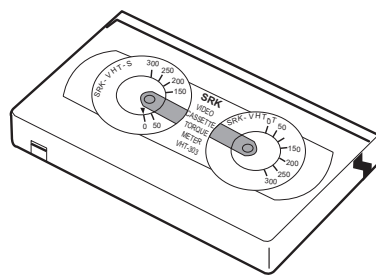
4.3.3 Previous Preparation for Deck Adjustment

(Preparation to load the VCR (VCP) with cassette tape not inserted)

- (1) Take the power cord from the consent.
- (2) Separate the top cover and the plate assembly top.
- (3) Insert the power cord into again.
- (4) Turn the VCR (VCP) on and load the cassette while pushing the lever stopper of the holder assembly CST backward. In this case, clog both holes on the housing rail part of chassis to prevent detection of the end sensor.

If doing so, proceeding to the stop mode is done. In this status, input signals of all modes can be received. However, operation of the Rewind and the Review is impossible since the take-up reel remains at stop status and so cannot detect the reel pulse (however, possible for several seconds).

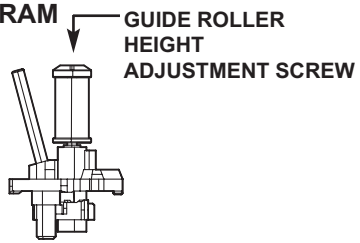
4.3.4 Torque Measuring

Purpose of Measuring : To measure and check the reel torque on the take-up part and the supply part that performs basic operation of the VCR (VCP) for smoothly forwarding the tape. Measure and check followings when the tape is not smoothly wound or the tape velocity is abnormally proceeded:				
Fixtures and tools used	VCR (VCP) status	Measuring method		
<ul style="list-style-type: none"> • Torque Gauge (600 g.cm ATG) • Torque Gauge Adaptor • Cassette Torque Meter 	<ul style="list-style-type: none"> • Play (FF) or Review (REW) Mode 	<ul style="list-style-type: none"> • Try to operate the VCR (VCP) per mode with the tape not inserted (See 4.3.3 Prior Preparation for Deck Adjustment). • Measure after adhering and fixing the torque gauge adaptor to the torque gauge (Fig. C-3-1) • Read scale of the supply or take-up part of the cassette torque meter (Fig. C-3-2). 		
Item	Mode	Instruments	Reel Measured	Measuring Value
Fast forward Torque	Fast Forward	Torque Gauge	Take-Up Reel	More than 400g°cm
Rewind Torque	Rewind	Torque Gauge	Supply Reel	More than 400g°cm
Play Take-Up Torque	Play	Cassette Torque Meter	Take-Up Reel	40~100g°cm
Review Torque	Review	Cassette Torque Meter	Supply Reel	40~210g°cm
NOTE				
Adhere the torque gauge adaptor to the torque gauge for measuring the value.				
<ul style="list-style-type: none"> • Torque Gauge (600g.cm ATG) 		<ul style="list-style-type: none"> • Cassette Torque Meter 		
 <p>Fig. C-3-1</p>		 <p>Fig. C-3-2</p>		

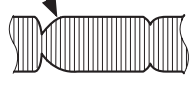



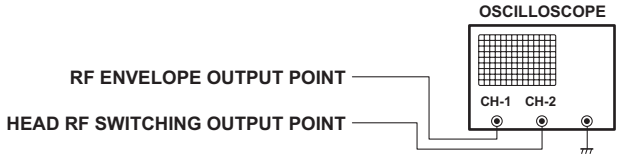
4.3.5 Guide Roller Height Adjustment

Purpose of adjustment : To ensure that the bottom surface of the tape can travel along with the tape lead line of the lower drum by constantly and adjusting and maintaining the height of the tape.

4.3.5.1 Prior Adjustment

Fixtures and tools used	VCR (VCP) status	Adjustment position
• Post Height Adjusting Driver	• Play or Review Mode	• The guide roller height adjusting screw on the supply guide roller and the take-up guide roller
Adjustment Procedure 1) Travel the tape and check the bottom surface of the tape travels along with the guide line of the lower drum. 2) If the tape travels toward the lower part of guide line on the lower drum, turn the guide roller height adjusting screw to the left 3) If it travels to the upper part, turn it to the right. 4) Adjust the height of the guide roller to ensure that the tape is guided on the guide line of the lower drum at the inlet/outlet of the drum. (Fig. C-4-1)		ADJUSTMENT DIAGRAM  Fig. C-4-1

4.3.5.2 Fine Adjustment

Fixtures and tools used	Measuring tools and connection position	VCR (VCP) status	Adjustment position
• Oscilloscope • Alignment tape • Post height adjusting driver	• CH-1: PB RF Envelope • CH-2: NTSC : SW 30Hz PAL : SW 25Hz • Head switching output point • RF Envelope output point	• Play the standard test tape.	• Guide roller height adjusting screw
1) Play the Alignment tape after connecting the probe of oscilloscope to the RF envelope output point and the head switching output point. 2) Tracking control (playback) : Locate it at the center (Set the RF output to the maximum value via the tracking control when such adjustment is completed after the drum assembly is replaced.) 3) Height adjusting screw: Flatten the RF waveform. (Fig. C-4-2) 4) Move the tracking control (playback) to the right/left. (Fig. C-4-3) 5) Check the start and the end of the RF output reduction width are constant.		Waveform P2 POST ADJUSTMENT  P3 POST ADJUSTMENT  Flatten the waveform by lightly turning the guide roller height adjustment screw. Fig. C-4-2  When the tracking control locates at the center.  When turning the tracking control to both sides. Fig. C-4-2	
CAUTIONS There must exist no crumpling and folding of the tape due to excess adjustment or insufficient adjustment.		Connection Diagram 	

4.3.6 Audio/Control (A/C) Head Adjustment

Purpose of adjustment : To ensure that audio and control signals can be recorded and played according to the contract tract by constantly maintaining distance between tape and head, and tape tension between the P3 post and the P4 post.

4.3.6.1 Prior Adjustment (performed only when no audio output appears in play of the standard test tape)

Fixtures and tools used	VCR (VCP) status	Adjustment position
<ul style="list-style-type: none"> • Blank Tape • Driver (+) Type 5mm 	<ul style="list-style-type: none"> • Play the blank tape 	<ul style="list-style-type: none"> • Tilt adjusting screw (C) • Height adjusting screw (B) • Azimuth adjusting screw (A)

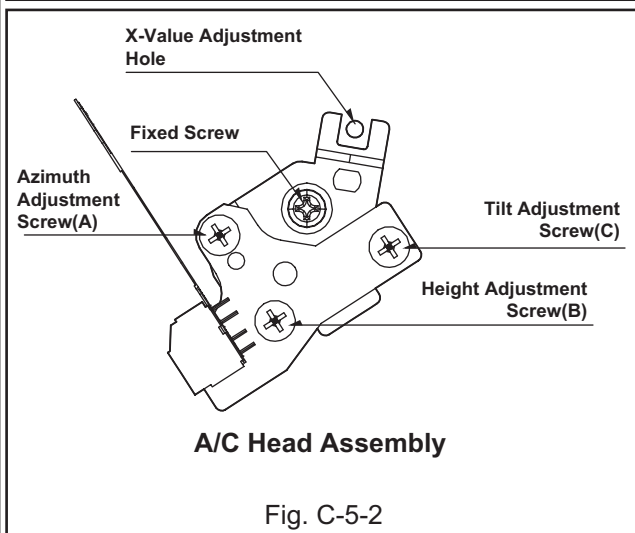
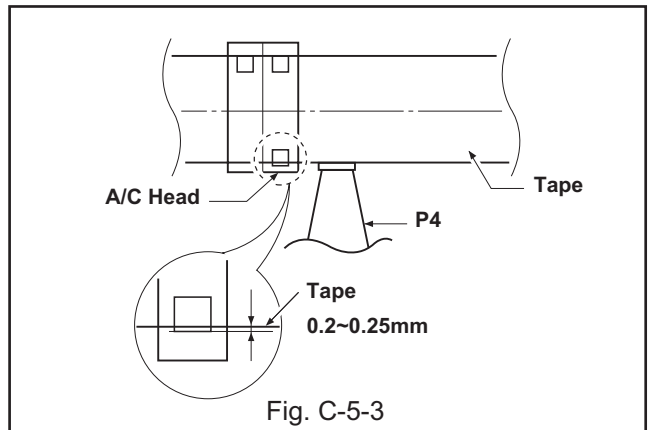
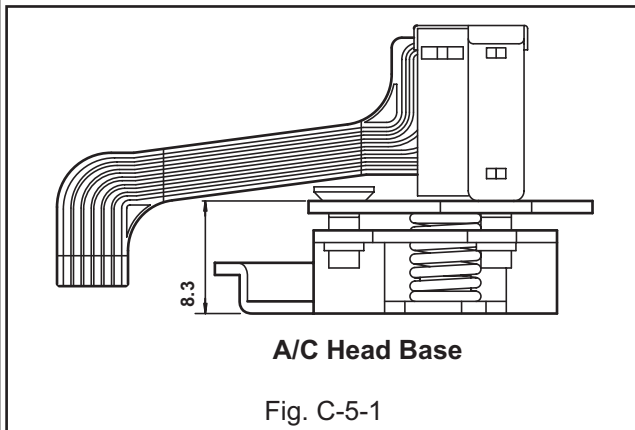
Adjustment Procedure/Adjustment Diagrams

- 1) Basically use the A/C head assembly adjusted as in SPEC.
- 2) Check there is crumpling and folding of the tape around the A/C head. If it is, Turn and adjust the tilt adjusting screw to ensure that the tape corresponds to the bottom guide of the P4, and recheck the tape path after proceeding play for 4-5 seconds.

- 3) Where the tape bottom is not equal to Fig. C-5-3, Adjust the height by using the height adjusting screw (B) and then readjust it by using the tilt adjusting screw (C).

CAUTIONS

Always check the height of the A/C head since most ideal height of A/C head can be obtained when the bottom part of the tape is away 0.2 ~ 0.25mm from the bottom part of the A/C head.



4.3.6.2 Tape Path Check between Pinch Roller and Take up Guide (Check in the Rev Mode)

- 1) Check the tape pass status between the pinch roller and the take-up guide. (Check there is crumpling of the tape pass and folding of the take-up guide.)
 - (1) When holding of the take-up guide bottom occurs
Turn the tilt adjusting screw (C) clockwise and travel it stably to ensure there is no crumbling or folding of the tape.
 - (2) When holding of the take-up guide top occurs
Turn the tilt adjusting screw (C) anti-clockwise and travel it stably to ensure there is no crumbling or folding of the tape.

- 2) Check there is folding of the tape at the bottom or top of the take-up guide in cutting-off the REV mode

CAUTIONS

If the RF waveform is changed after adjusting the A/C head, perform fine adjustment to ensure the RF waveform is flattened.

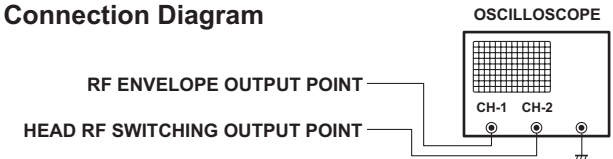
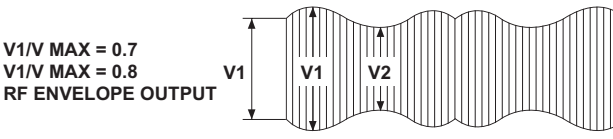
4.3.6.3 Fine Adjustment (Azimuth Adjustment)

Fixtures and tools used	Connection position	VCR (VCP) status	Adjustment position
<ul style="list-style-type: none"> • Oscilloscope • Standard test tape (only for SP) • Driver (+) Type 4mm 	<ul style="list-style-type: none"> • Audio Output Jack 	<ul style="list-style-type: none"> • Play the Alignment tape • 1KHz, 7KHz. 	<ul style="list-style-type: none"> • Azimuth Adjusting Screw (A) • Height Adjusting Screw (B)
Adjustment Procedure <ol style="list-style-type: none"> 1) Connect the probe of Oscilloscope to the audio output jack. 2) Ensure that Audio 1KHz, 7KHz output is flattened at the maximization point by adjusting the Azimuth adjusting screw (A). 			

4.3.7 X-Value Adjustment

Purpose of adjustment : To maintain compatibility with other VCR (VCP).			
Fixtures and tools used	Connection position	VCR (VCP) status	Adjustment position
<ul style="list-style-type: none"> • Oscilloscope • Standard test tape (only for SP) • Driver (+) Type 4mm 	<ul style="list-style-type: none"> • CH-1: PB RF Envelope • CH-2: NTSC ; SW 30Hz PAL:SW 25Hz • Head switching output point • RF Envelope output point 	<ul style="list-style-type: none"> • Play the Alignment tape 	
Adjustment Procedure <ol style="list-style-type: none"> 1) After releasing the auto tracking, lightly turn the fixing screw. Turn the (+) type driver on the X-value adjusting hole to the right or left. Adjust the RF envelope level to the maximum point and then fix the fixing screws. 2) For the 31 μm head, adjust it with the SP tape recorded in the width of 31 μm since the head travels on the tape track only for SP with the width of 58 μm. 		Connection Diagram	

4.3.8 Adjustment after Drum Assembly (Video Heads)

Purpose of adjustment : To adjust and stabilize the height change, X-value change, etc depending on the guide roller after assembling the drum.			
Fixtures and tools used	Connection position	VCR (VCP) status	Adjustment position
<ul style="list-style-type: none"> • Oscilloscope • Alignment tape (only for SP) • Post Height Adjusting Driver • Driver (+) Type 5mm 	<ul style="list-style-type: none"> • CH-1: PB RF Envelope • CH-2: NTSC : SW 30Hz PAL:SW 25Hz • Head switching output point • RF Envelope output point 	<ul style="list-style-type: none"> • Play the blank tape. • Play the Alignment tape. 	<ul style="list-style-type: none"> • Fine adjustment of guide roller • Switching Point • Tracking Preset • X-value
Checking/Adjustment Procedure <ol style="list-style-type: none"> 1) Play the blank tape and check whether the guide roller crumbles or wrinkles the tape and adjust it if necessary. 2) Check that the RF envelope output waveform is flat, and adjust the height of the guide roller while playing the alignment tape. 3) Adjust the switching point. 4) Check the RF envelope output is the maximum when the tracking control locates at the center. If not maximum, set up to ensure that RF envelope output becomes the maximum by turning the (+) type driver on the base A/C groove. 		Connection Diagram  Waveform 	

4.3.9 Check of Traveling Device after Deck Assembly

4.3.9.1 Audio, RF Normalization Time (Locking Time) Check in Play after CUE or REV

Fixtures and tools used	Measuring standard	Connection position	VCR (VCP) status
<ul style="list-style-type: none"> • Oscilloscope • Alignment tape (Colour bar) • Stop Watch 	<ul style="list-style-type: none"> • RF Locking Time: Within 5 seconds • Audio Locking Time : Within 10 seconds 	<ul style="list-style-type: none"> • CH-1: PB RF Envelope • CH-2: Audio output • RF Envelope output point • Audio output jack 	<ul style="list-style-type: none"> • Play the Alignment tape (Colour bar)
Checking Procedure <ol style="list-style-type: none"> 1) Check that locking time of the RF and Audio waveform is fallen within the measuring standard in conversion of the play mode from the CUE or the REV mode. 		<ol style="list-style-type: none"> 2) Readjust the paragraph 4.3.6 and 4.3.7 if it deviates from the standard. 	

4.3.9.2 Check of Tape Curl and Jam Status

Fixtures and tools used	Fixtures and tools used	Fixtures and tools used
<ul style="list-style-type: none"> • E-240 Tape • E-160 Tape 	<ul style="list-style-type: none"> • There must be no jam or curl at the first, middle and end position of tape. 	<ul style="list-style-type: none"> • Travel the tape at the position of its first and end.
Checking Procedure <ol style="list-style-type: none"> 1) Check there is no abnormality of every traveling post status. 2) There must be no abnormal operation of the counter in 		<ol style="list-style-type: none"> occurrence of folding of the bottom tape. There must be not abnormality of audio signal in damage of the top tape. 3) If there is abnormality, readjust the adjustment paragraph 4.3.5 and 4.3.6.

4.4 PROTECTION, MAINTENANCE AND CHECK OF VIDEO FUNCTION (VCR)

4.4.1 Checking Points prior to Repair

Following abnormal phenomena may be repaired by removal of foreign materials and oil supply. Check oiling is required at the checking set or cleaning status is complete.

Determine that necessity of checking and repair the set exists after checking the using period of the set together with the user. In this case, followings must be checked:

Phenomena	Checking Points and Cause	Replacement
Color beat	Pollution of Full-Erase Head	○
S/N, Color Faded	Pollution of Video Head	○
Horizontal, Vertical Jitte	Pollution of Video Head or Tape Transport System	○
Poor Sound, Low Sound	Pollution of Audio/Control Head	○
No tape wound or tape wound loosely. FF or REW impossible, or slow turning	Pollution of Pinch Roller or Belt Capstan	○
Tape loosely wound in REV or Unloading	Deterioration of Clutch Assembly D37 Torque Pollution of Drum and Traveling Device	○ Fig. C-9-3

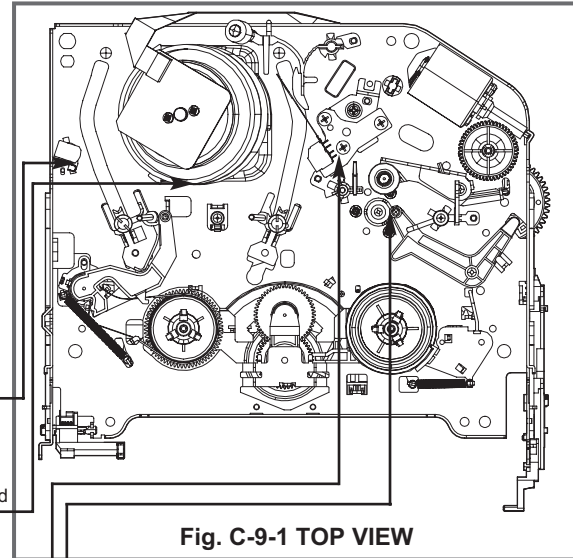


Fig. C-9-1 TOP VIEW

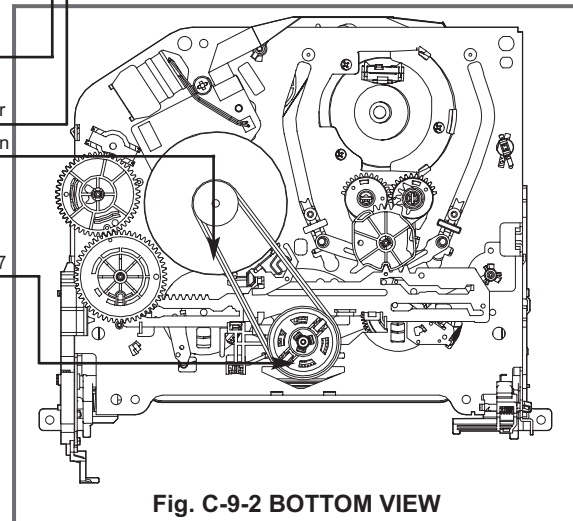


Fig. C-9-2 BOTTOM VIEW

CAUTIONS

If operation of the position with (O) mark is abnormal even after removing cause, replace it with substitute product since it shows damage or wearing.

* No. (1) ~ (12) shows sequence that the tape moves from the supply reel to the take-up reel.)

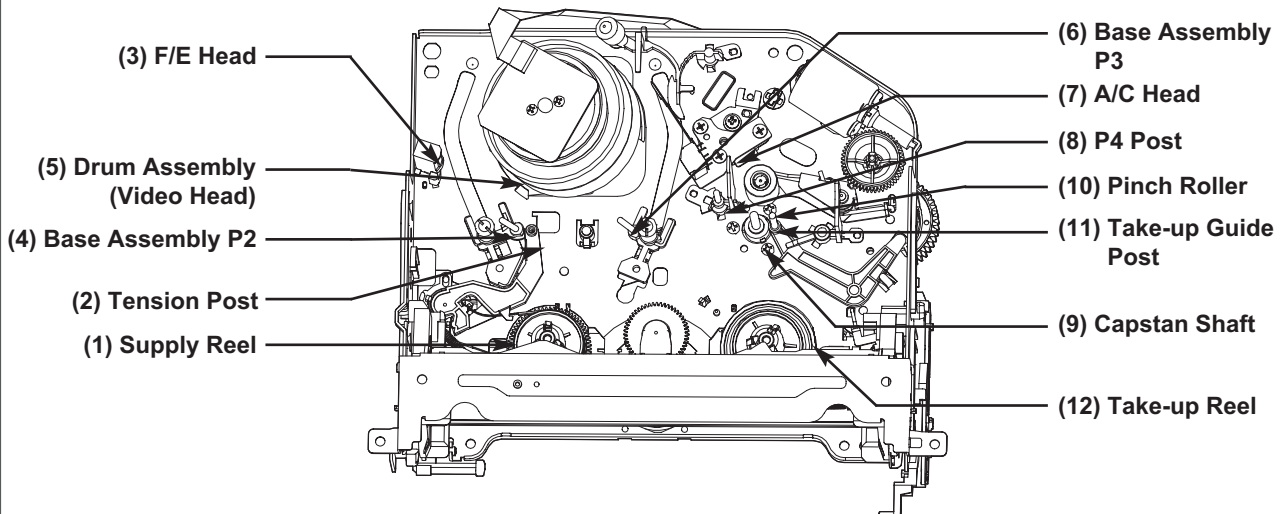


Fig. C-9-3 Tape Transport System

4.4.2 Essential Check and Repair

Recording density of the video is far higher than the audio. Therefore video parts are very precise so as to allow only error of 1/1000mm or so in order to maintain compatibility with other videos.

If one of these parts is polluted or old, same phenomena will appear as they are damaged.

To maintain clear screen, regular check, replacement of old and damaged parts and oil supply, etc are essential.

4.4.3 Regular Check and Repair

Check and repair schedule is not constant since they vary depending on method that the consumer uses video and environment where the video is installed at.

However, for the video used by common household, good screen will be maintained if regular check and repair per 1,000 hour is performed. The following chart shows relationship between using time and checking time:

Time Requiring Checking	About 1 year	About 18 months	About 3 years
Average hours used per day	▲	▲	▲
One hour	[Bar chart showing increasing frequency]		
Two hours	[Bar chart showing increasing frequency]		
Three hours	[Bar chart showing increasing frequency]		

4.4.4 Tools for Check and Repair

- (1) Grease: Floil G-3114 (KANTO) or equivalent grease (Green)
- (2) Grease: Kanto G-754, PL-433 (Yellow)
- (3) Alcohol (Isopropyl Alcohol)
- (4) Cleaning Patch (cloth)

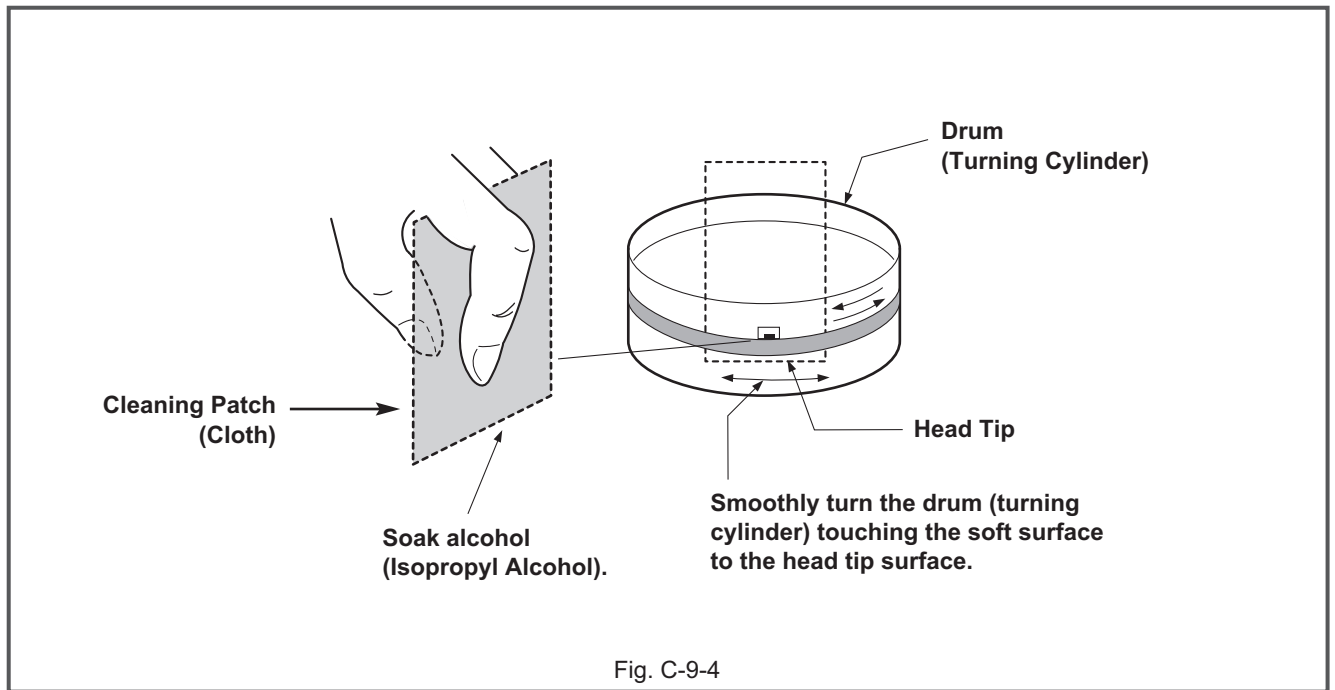
4.4.5 Maintenance Process

4.4.5.1 Removal of Foreign Material

- (1) Removal of foreign material from video head (Fig. C-9-4)
 - Firstly try to use a cleaning tape.
 - Use a cleaning patch if foreign materials are not removed with the cleaning tape due to severe dirty of the head.
 - Soak the cleaning patch in alcohol and put it to the head tip.
 - Smoothly turn the drum (turning cylinder) to the right or left (In this case, the cleaning patch must not be moved vertically).
 - After completely drying the head, test the traveling status of the tape.
 - If alcohol (Isopropyl Alcohol) remains at the video head, the tape may be damaged when this solution touches with the head surface.

Never use a cloth bar (commercial sale)

- (2) Wipe the tape transport system and the drive system with the cleaning patch soaked in alcohol (Isopropyl Alcohol) when removing foreign materials from them.
 - 1) The part touched with the traveling tape is called as tape transport system. The drive system consists of parts to travel the tape.
 - 2) Care must be exercised so that unreasonable force to change the pattern will be applied to the tape transport system during removal of foreign materials.



4.4.5.2 Grease Applications

(1) Grease Application Method

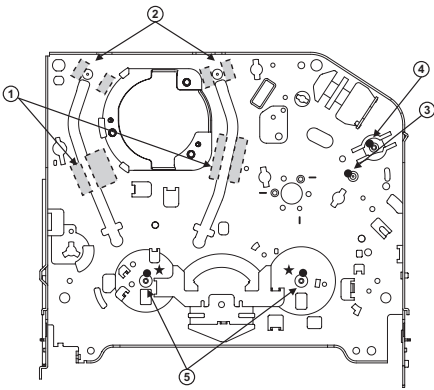
Apply grease by using a cloth swab or brush. Care must be exercised so that excess quantity should not be used. If the excessive quantity is applied, wipe it with the gauze soaked in alcohol (Isopropyl Alcohol).

(2) Regular Grease Application

Apply grease to the designated application position every 500 hour.

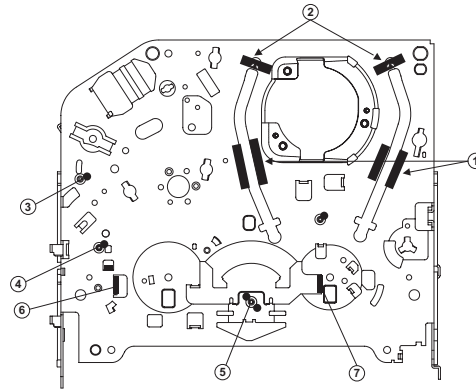
NOTE: POSITION OF GREASE APPLICATION

- | | |
|--|----------------------------------|
| (1) Inner Side Surface and Top Surface of Loading Path | (4) Gear Wheel Shaft |
| (2) Stable Adhesion Part of Base P2, P3 | (5) Reel S. T. Shaft |
| (3) Arm Pinch Shaft | (1) (2) (3) (4): KG-684G (Green) |
| | (5): PL-433 (Yellow) |



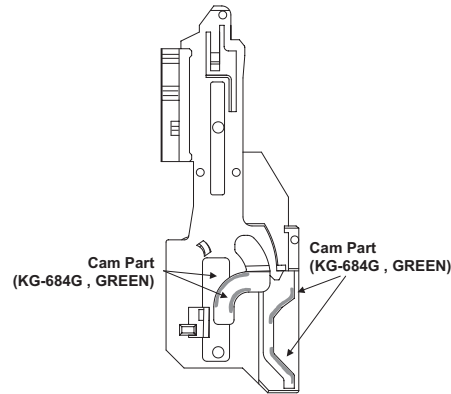
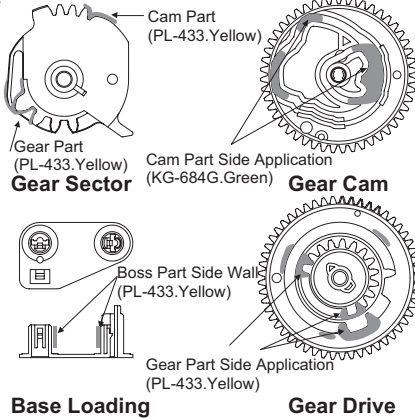
Chassis (TOP)

- | | |
|--|--|
| (1) Inner Side Surface and Top Surface of Loading Path | (6) Guide Part on the Plate Slider Side Wall (Left) |
| (2) Stable Adhesion Part of Base P2, P3 Coil | (7) Guide Part on the Plate Slider Side Wall (Right) |
| (3) Gear Cam Shaft | (1) (2) (3) (4) (5) (6) (7): KG-684G (Green) |
| (4) Gear Drive Shaft | |
| (5) Clutch Shaft Groove | |



Chassis (Bottom)

Gear Part



Gear Rack F/L

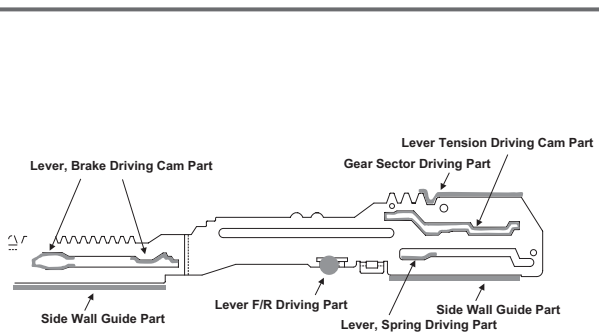
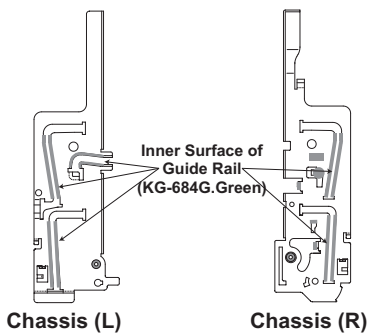
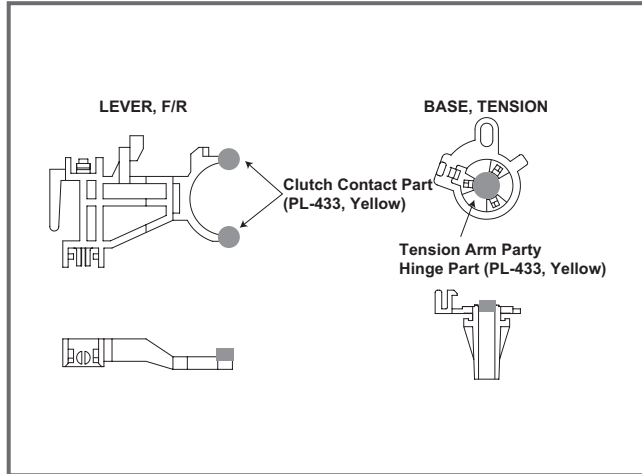
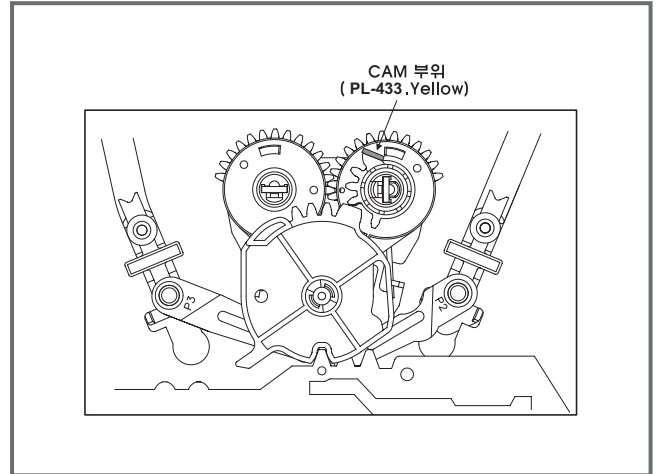


Plate Slider

Lever, F/R, Base, Tension



GEAR AY, P2 & P3



4.5 ELECTRICAL ADJUSTMENT PROCEDURES (VCR)

4.5.1 Servo Adjustment

- 1) PG Adjustment
 - Test Equipment

a) OSCILLOSCOPE	b) Alignment tape (SP, stairstep)
-----------------	-----------------------------------

- Adjustment And Specification

MODE	MEASUREMENT POINT	ADJUSTMENT POINT	SPECIFICATION
PLAY	V.Out H/SW(TP)	R/C TRK JIG KEY	$6.5 \pm 0.5H$

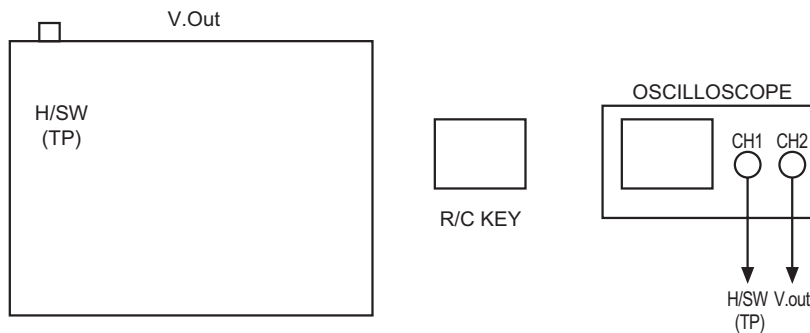
▪ Adjustment Procedure

- a) Insert the Alignment Tape and play.
 Note - Adjust the distance of X, pressing the Tracking(+) or Tracking(-) when the "ATR" is blink after the Alignment Tape is inserted.
- b) Connect the CH1 of the oscilloscope to the H/SW(TP) and CH2 to the Video Out for the VCR.
- c) Trigger the mixed Combo Video Signal of CH2 to the CH1 H/SW(TP) and then check the distance (time difference), which is from the selected A(B) Head point of the H/SW(TP) signal to the starting point of the vertical synchronized signal, to $6.5H \pm 0.5H$ ($412\mu s$, $1H=63\mu s$).

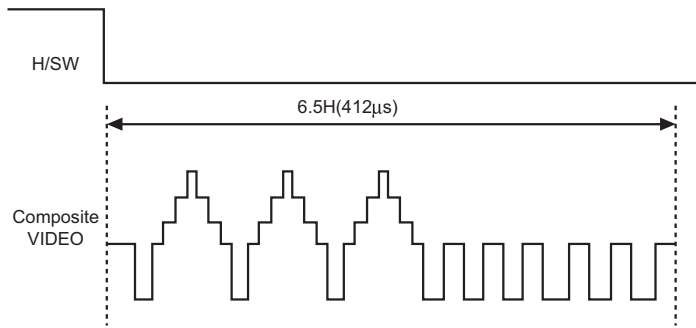
▪ PG Adjustment Method

- a-1) Playback the Alignment tape
- b-2) Press the "OK(ENTER)" key on the Remote controller and the "REC" key on the Front Panel the same time, then it goes in to Tracking initial mode.
- c-3) Repeat the above step(No.b-2), then it finishes the PG adjusting automatically.
- d-4) Stop the playback, then it goes out to PG adjusting mode after morny the PG data.

▪ CONNECTION

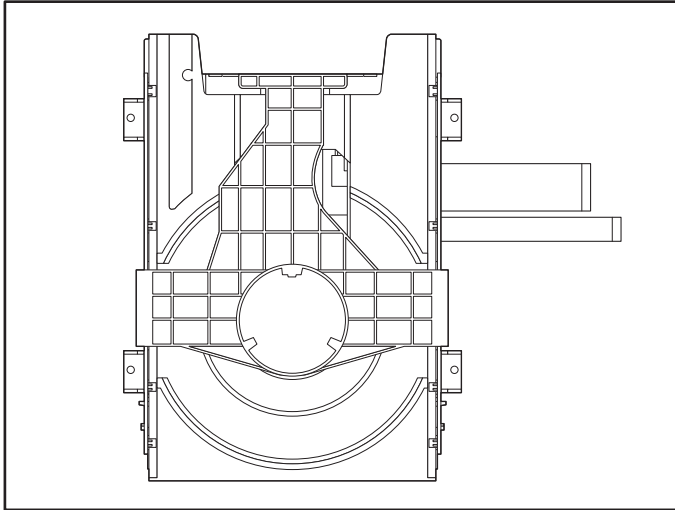


▪ WAVEFORM

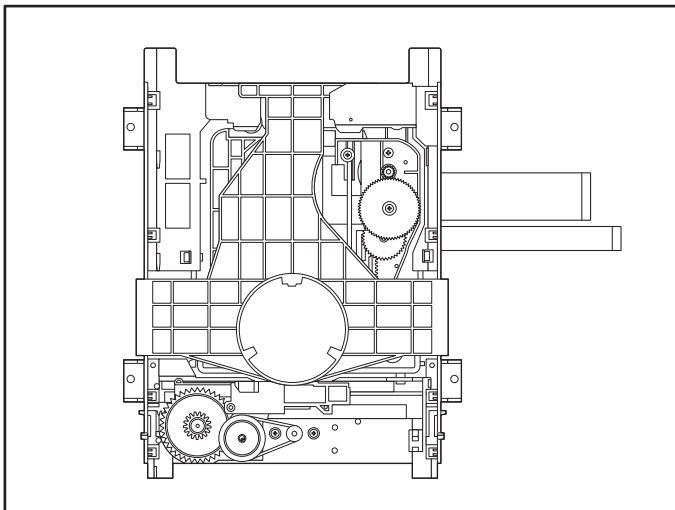


4.6 DECK MECHANISM PARTS LOCATION (DVD)

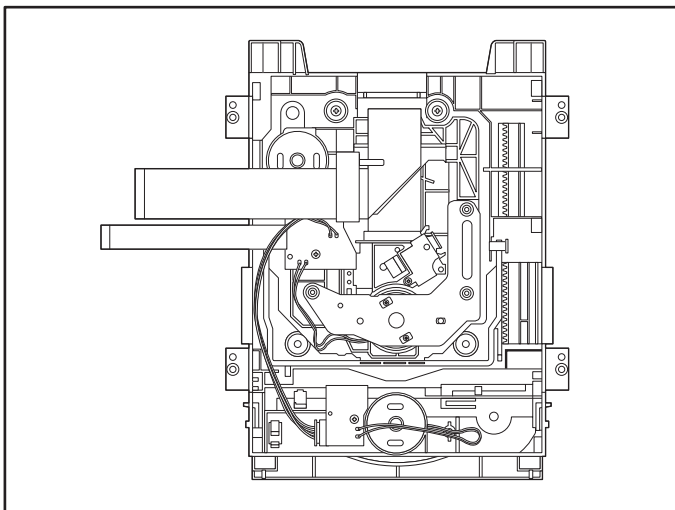
Top View (With Tray)



Top View (Without Tray)



Bottom View



Procedure		Parts	Fixing Type	Disassembly	Figure
Starting No.					
	1	Main Base			4-6-1
1	2	Clamp Assembly Disc			4-6-1
1, 2	3	Plate Clamp			4-6-1
1, 2, 3	4	Magnet Clamp			4-6-1
1, 2, 3, 4	5	Clamp Upper			4-6-1
1	6	Tray Disc			4-6-2
1, 6	7	Base Assembly Sled			4-6-3
1, 2, 6	8	Gear Feed	4 Screws, 1 Connector 1 Locking Tabs		4-6-3
1, 2, 6, 8	9	Gear Middle			4-6-3
1, 2, 6, 8, 9	10	Gear Rack	1 Screw		4-6-3
1, 2, 7	11	Rubber Rear			4-6-3
1, 2, 7	12	Frame Assembly Up/Down	1 Screw	Bottom	4-6-4
1, 2	13	Belt Loading	1 Locking Tab		4-6-4
1, 2, 13	14	Gear Pulley			4-6-4
1, 2, 13, 14	15	Gear Loading	1 Locking Tab		4-6-4
1, 2, 7, 12, 13, 14	16	Guide Up/Down			4-6-4
1, 2, 13	17	PWB Assembly Loading	1 Locking Tab 1 Hook 2Screw	Bottom	4-6-4
1, 2, 7, 12, 13, 14, 15, 16, 17	18	Base Main	2 Locking Tabs		4-6-4

Note

When reassembling, perform the procedure in reverse order.

The "Bottom" on Disassembly column of above Table indicates the part should be disassembled at the Bottom side.

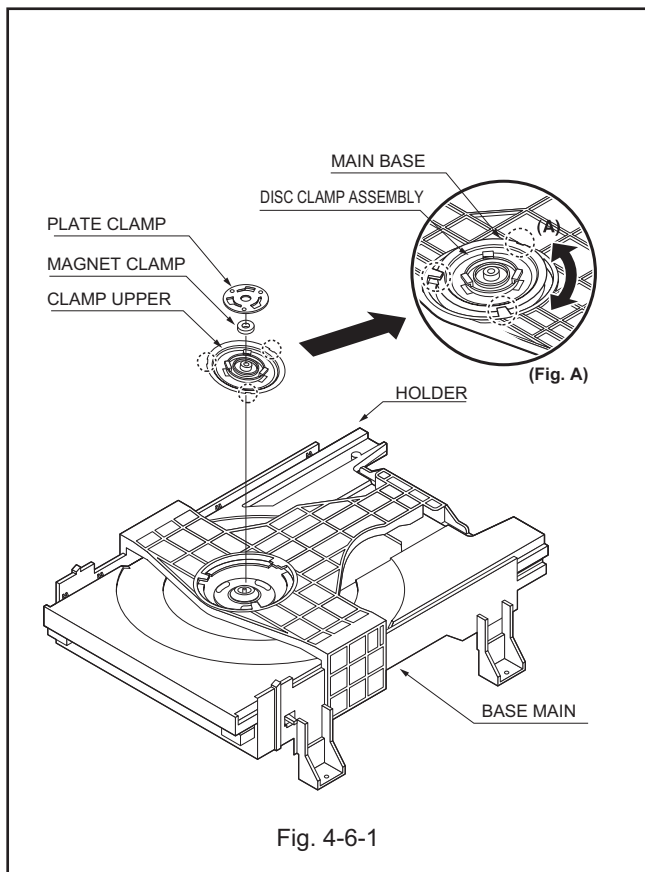


Fig. 4-6-1

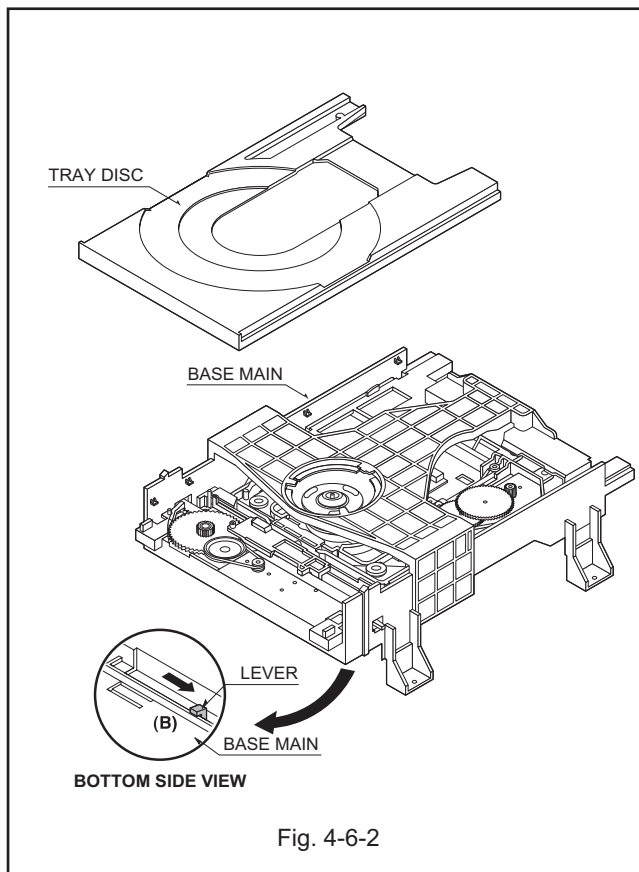


Fig. 4-6-2

1. Main Base (Fig. 4-6-1)

1-1. Clamp Assembly Disc

- 1) Place the Clamp Assembly Disc as Fig. (A)
- 2) Lift up the Clamp Assembly Disc in direction of arrow(A).
- 3) Separate the Clamp Assembly Disc from the Holder Clamp.

1-1-1. Plate Clamp

- 1) Turn the Plate Clamp to counterclockwise direction and then lift up the Plate Clamp.

1-1-2. Magnet Clamp

1-1-3. Clamp Upper

2. Tray Disc (Fig. 4-6-2)

- 1) Insert and push a Driver in the emergency eject hole(A) at the right side, or put the Driver on the Lever(B) of the Gear Emergency and pull the Lever(B) in direction of arrow so that the Tray Disc is ejected about 15~20mm.
- 2) Pull the Tray Disc until it is separated from the Base Main completely.

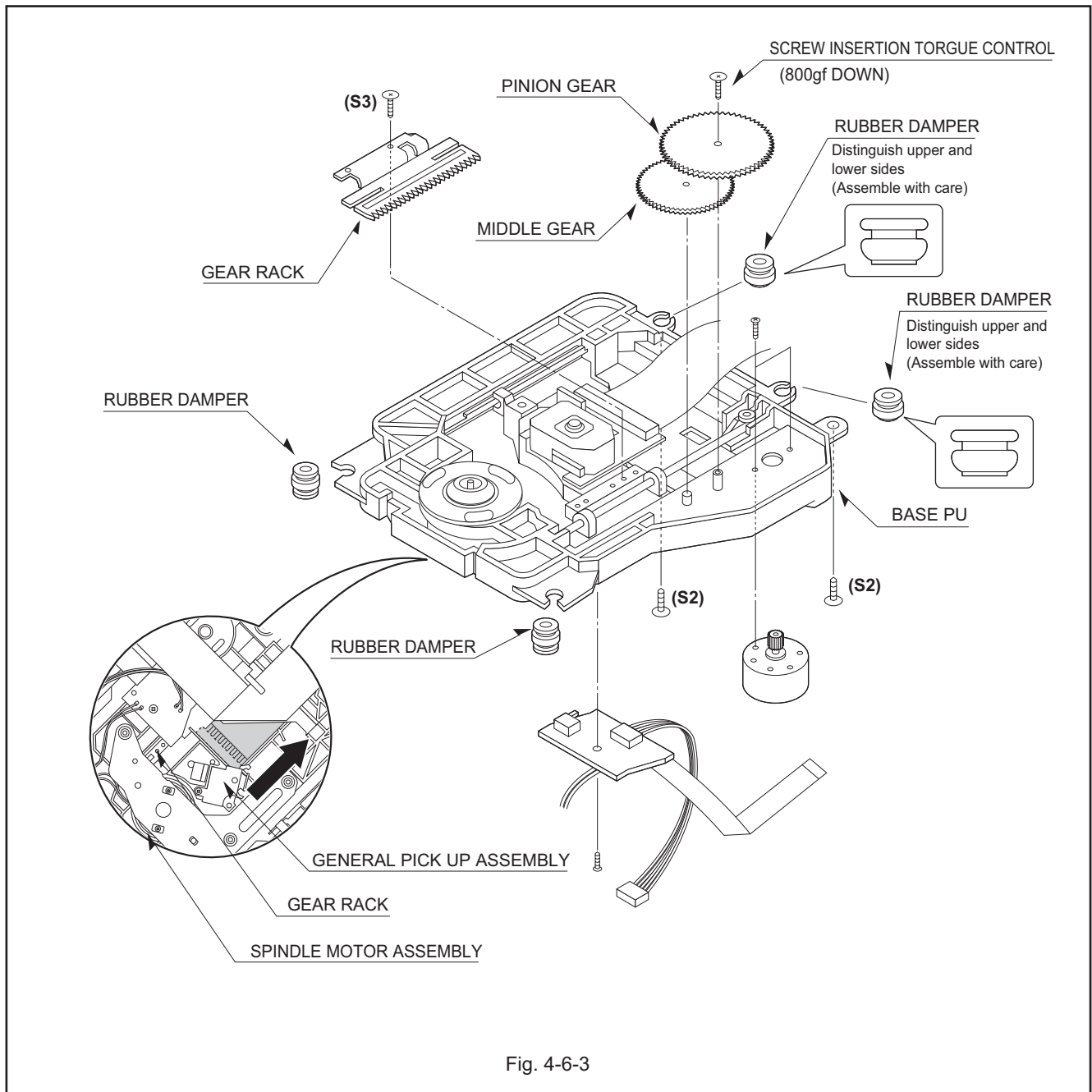


Fig. 4-6-3

3.Base Assembly Sled (Fig. 4-6-3)

- 1) Release 4 Screw(S2).
- 2) Disconnect the FFC Connector(C1)

3-1. Gear Feed

3-2. Gear Middle

3-3. Gear Rack

- 1) Release the Scerw(S3)

4. Rubber Rear (Fig. 4-6-3)

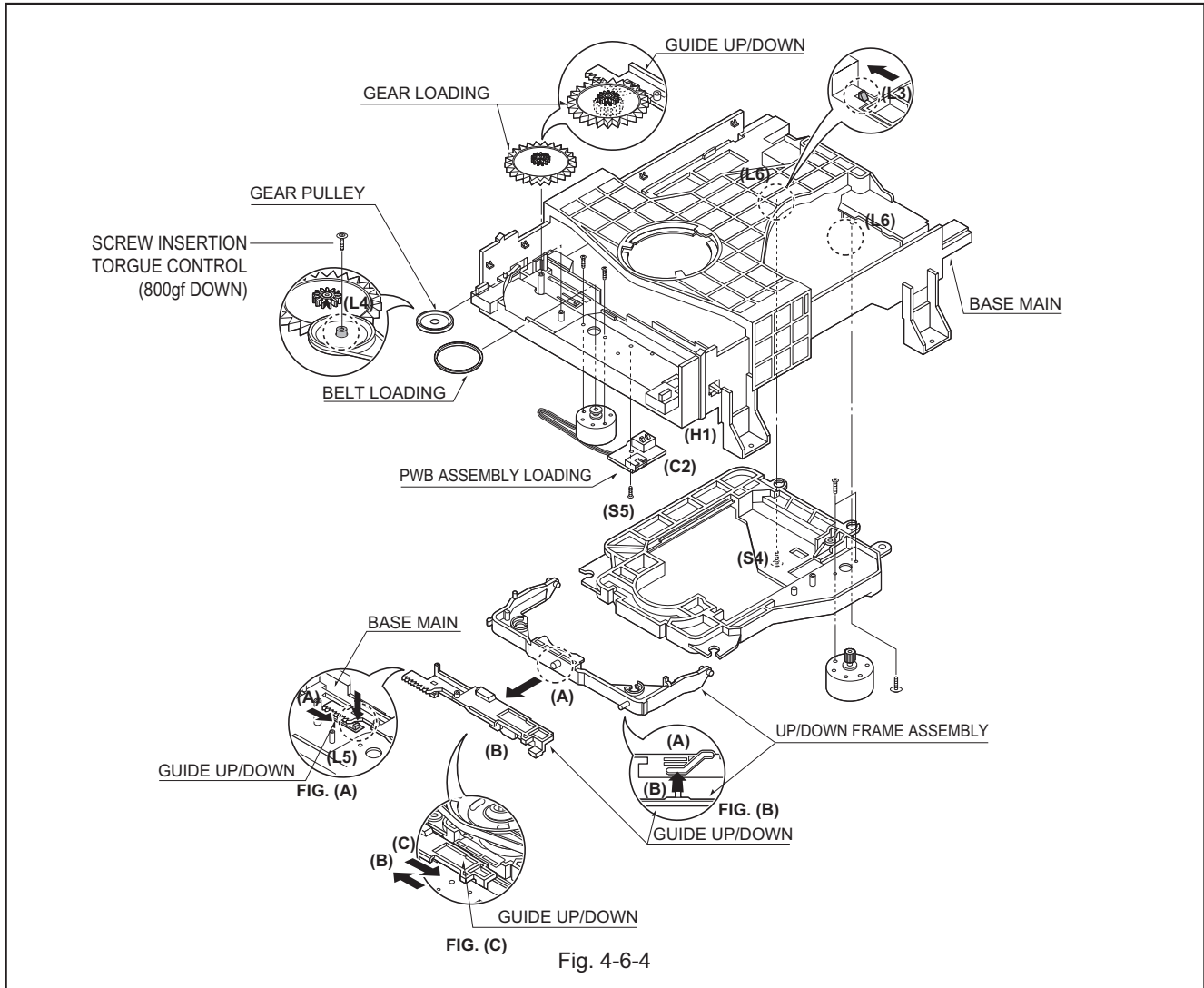


Fig. 4-6-4

5. Frame Assembly Up/Down (Fig. 4-6-4)

Note

Put the Base Main face down(Bottom Side)

- 1) Release the screw(S4)
- 2) Unlock the Locking Tab(L3) in direction of arrow and then lift up the Frame Assembly Up/Down to separate it from the Base Main.

Note

- When reassembling move the Guide Up/Down in direction of arrow(C) until it is positioned as Fig.(C).
- When reassembling insert (A) portion of the Frame Assembly Up/Down in the (B) portion of the Guide Up/Down as Fig.(B)

6. Belt Loading(Fig. 4-6-4)

Note

Put the Base Main on original position(Top Side)

7. Gear pulley (Fig. 4-6-4)

- 1) Unlock the Locking Tab(L4) in direction of arrow(B) and then separate the Gear Pulley from the Base Main.

8. Gear Loading (Fig. 4-6-4)

9. Guide Up/Down (Fig. 4-6-4)

- 1) Move the Guide Up/Down in direction of arrow(A) as Fig.(A)
- 2) Push the Locking Tab(L5) down and then lift up the Guide Up/Down to separate it from the Base Main.

Note

When reassembling place the Guide Up/Down as Fig.(C) and move it in direction arrow(B) until it is locked by the Locking Tab(L5). And confirm the Guide Up/Down as Fig.(A)

10. PWB Assembly Loading (Fig. 4-6-4)

Note

Put the Base Main face down(Bottom Side)

- 1) Release 1 Screws(S5)
- 2) Unlock the Loading Motor (C2) from the Hook (H1) on the Base Main.
- 3) Unlock 2 Locking Tabs(L6) and separate the PWB Assembly Loading from the Base Main.

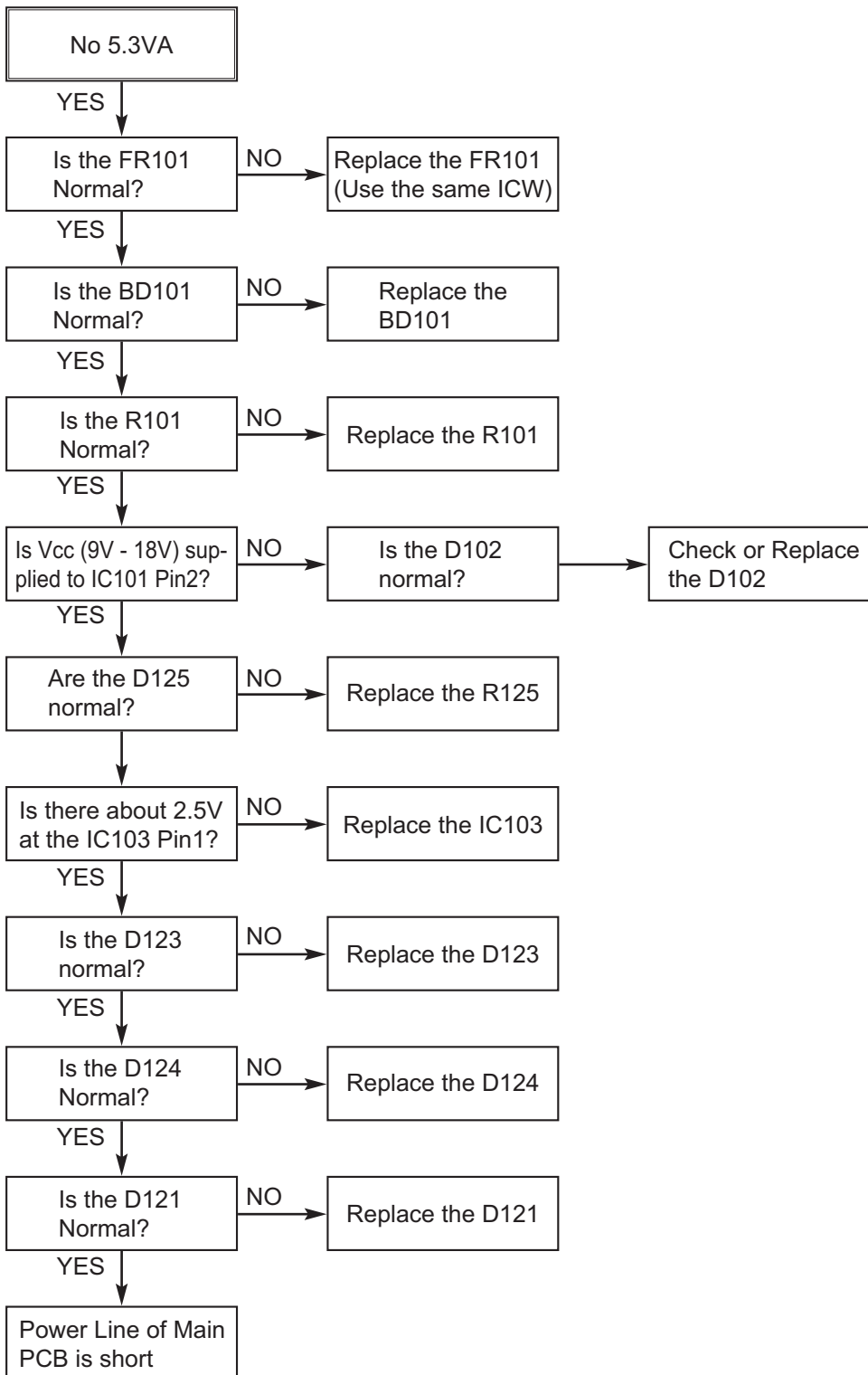
11. Base Main(Fig. 4-6-4)

SECTION 5 TROUBLESHOOTING

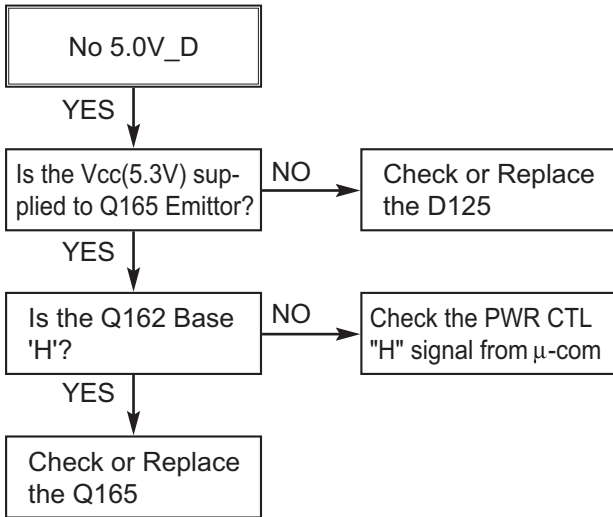
5.1 ELECTRICAL TROUBLESHOOTING GUIDE (VCR PART)

5.1.1 Power(SMPS) CIRCUIT

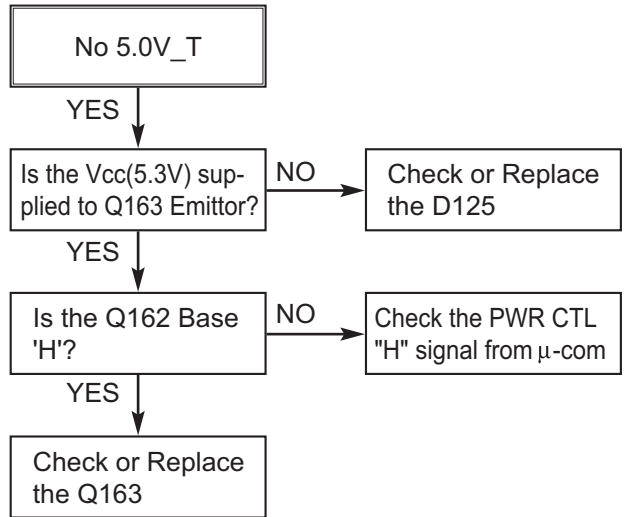
(1) No 5.3VA



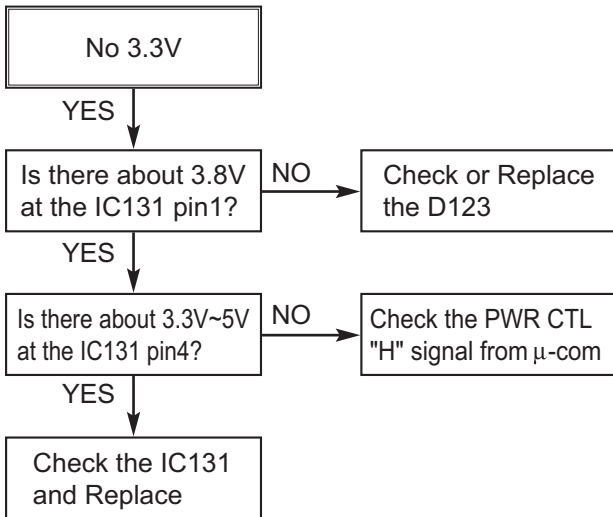
(2) No 5.0V_D



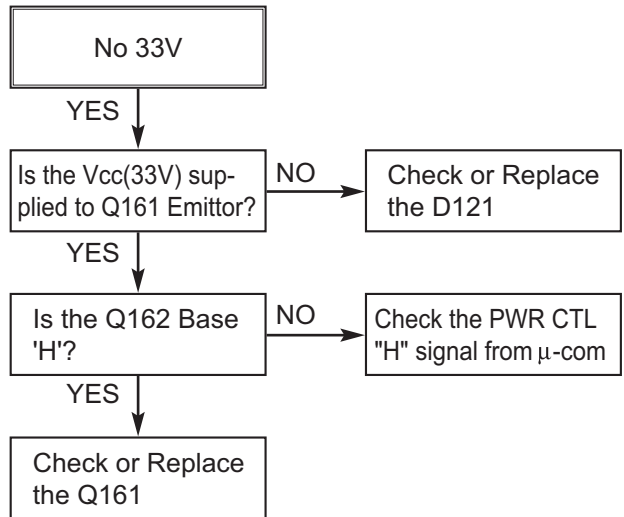
(3) No 5.0V_T



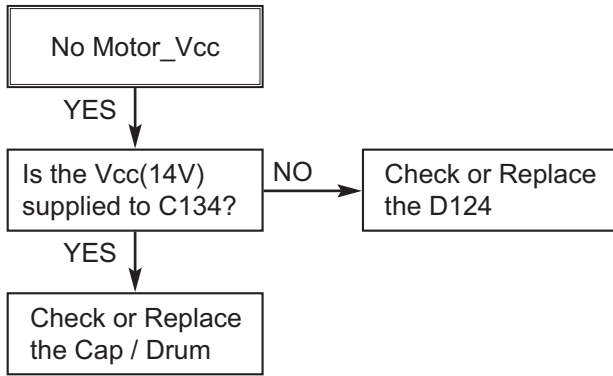
(4) No 3.3V



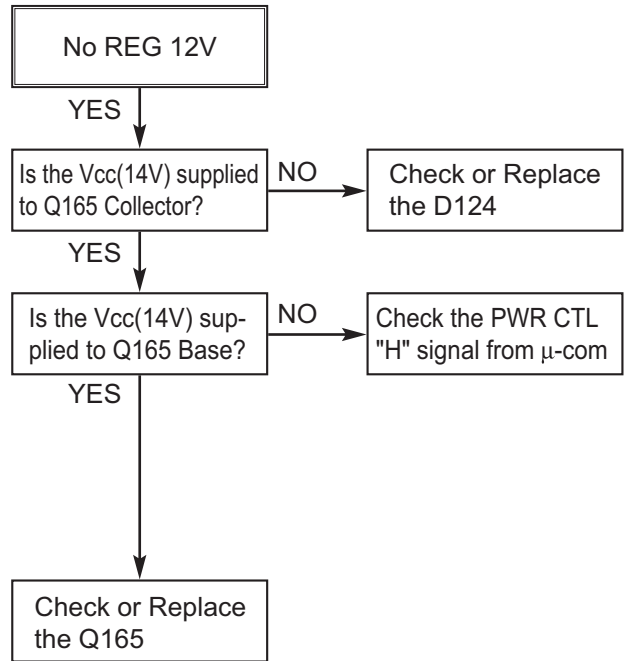
(5) No 33V



(6) No Motor_Vcc (To Cap, Drum Motor)

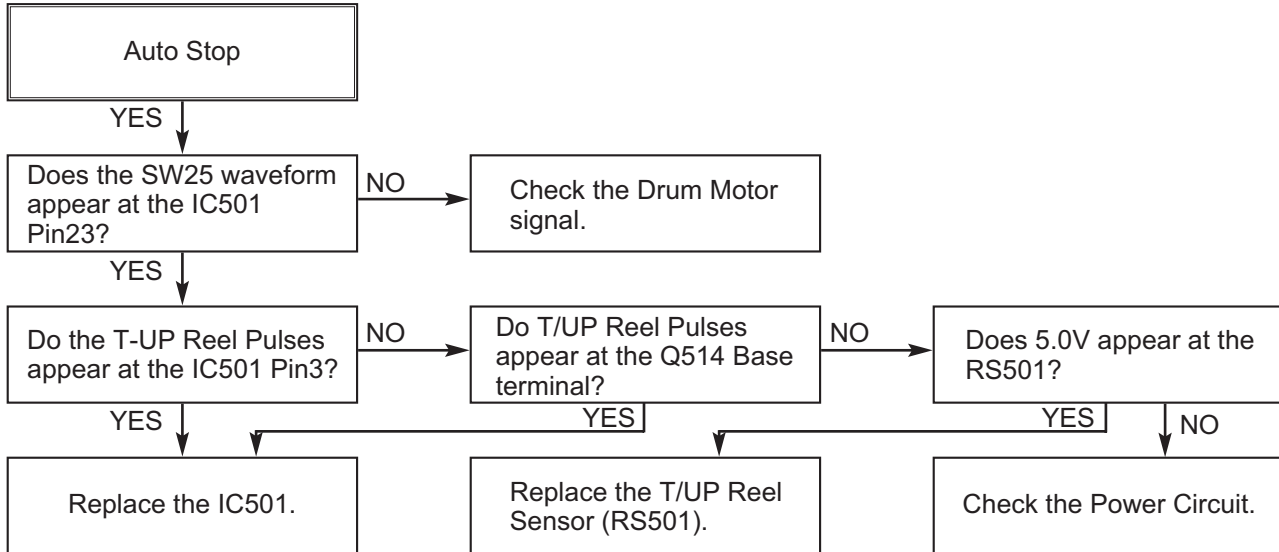


(7) No REG 12V

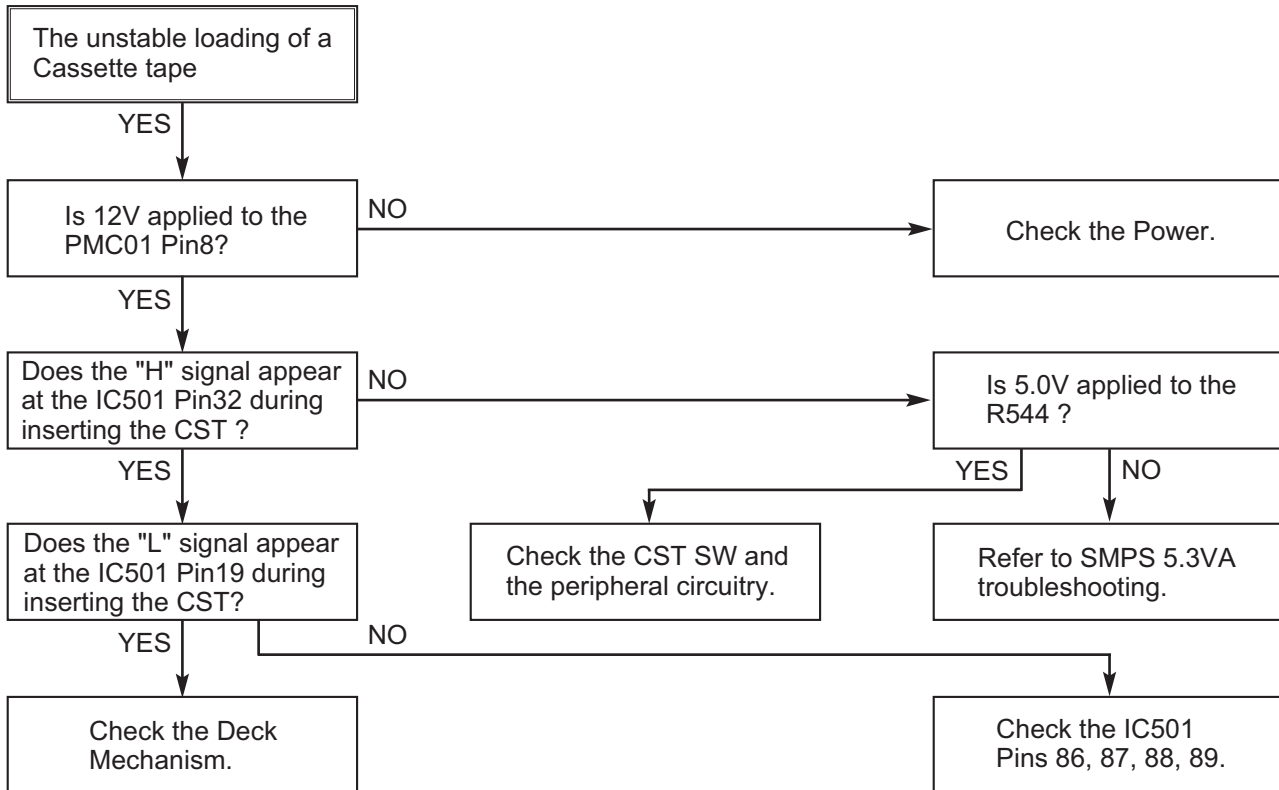


5.1.2 SYSTEM/KEY CIRCUIT

(1) AUTO STOP



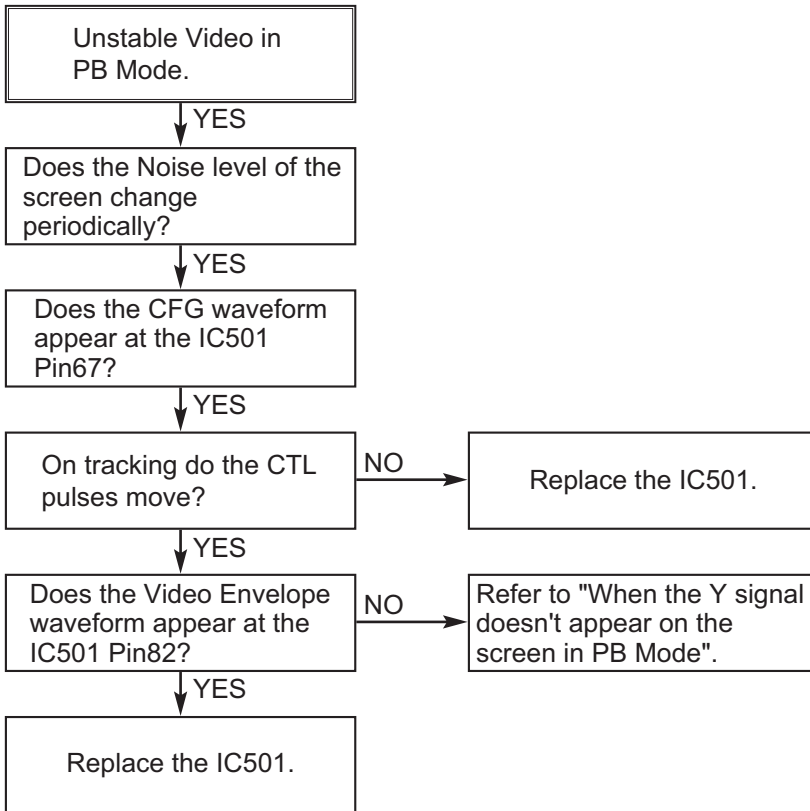
(2) The unstable loading of a Cassette tape



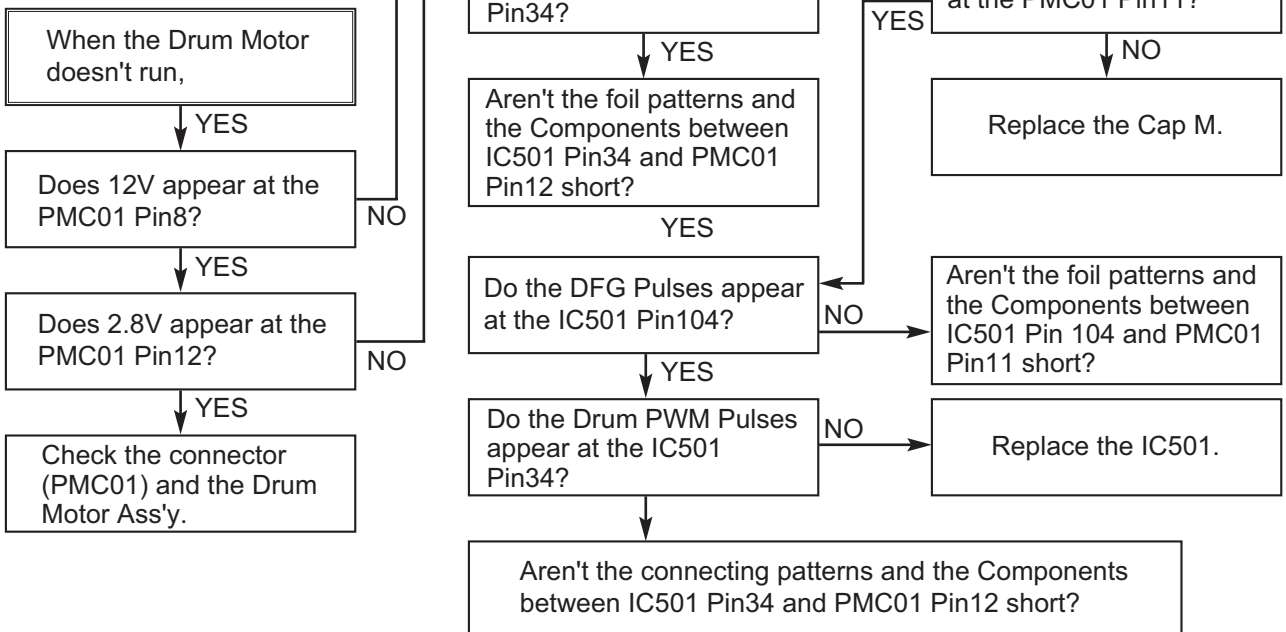
Caution : Auto stop can occur because Grease or Oil is dried up

5.1.3 SERVO CIRCUIT

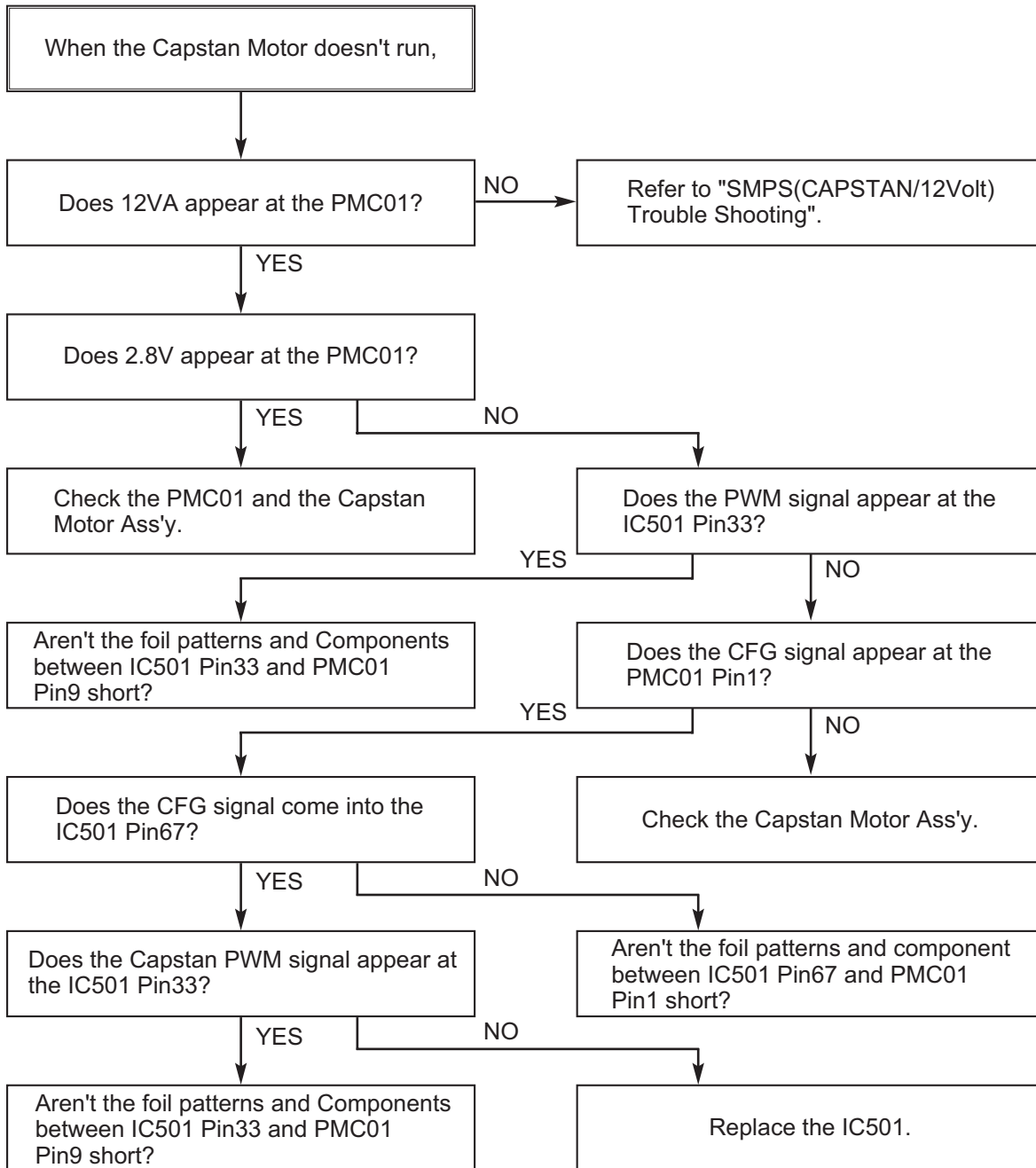
(1) Unstable Video in PB MODE



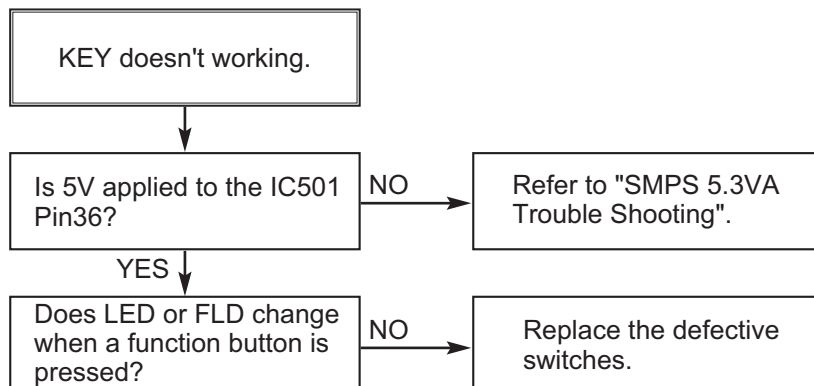
(2) When the Drum Motor doesn't run.



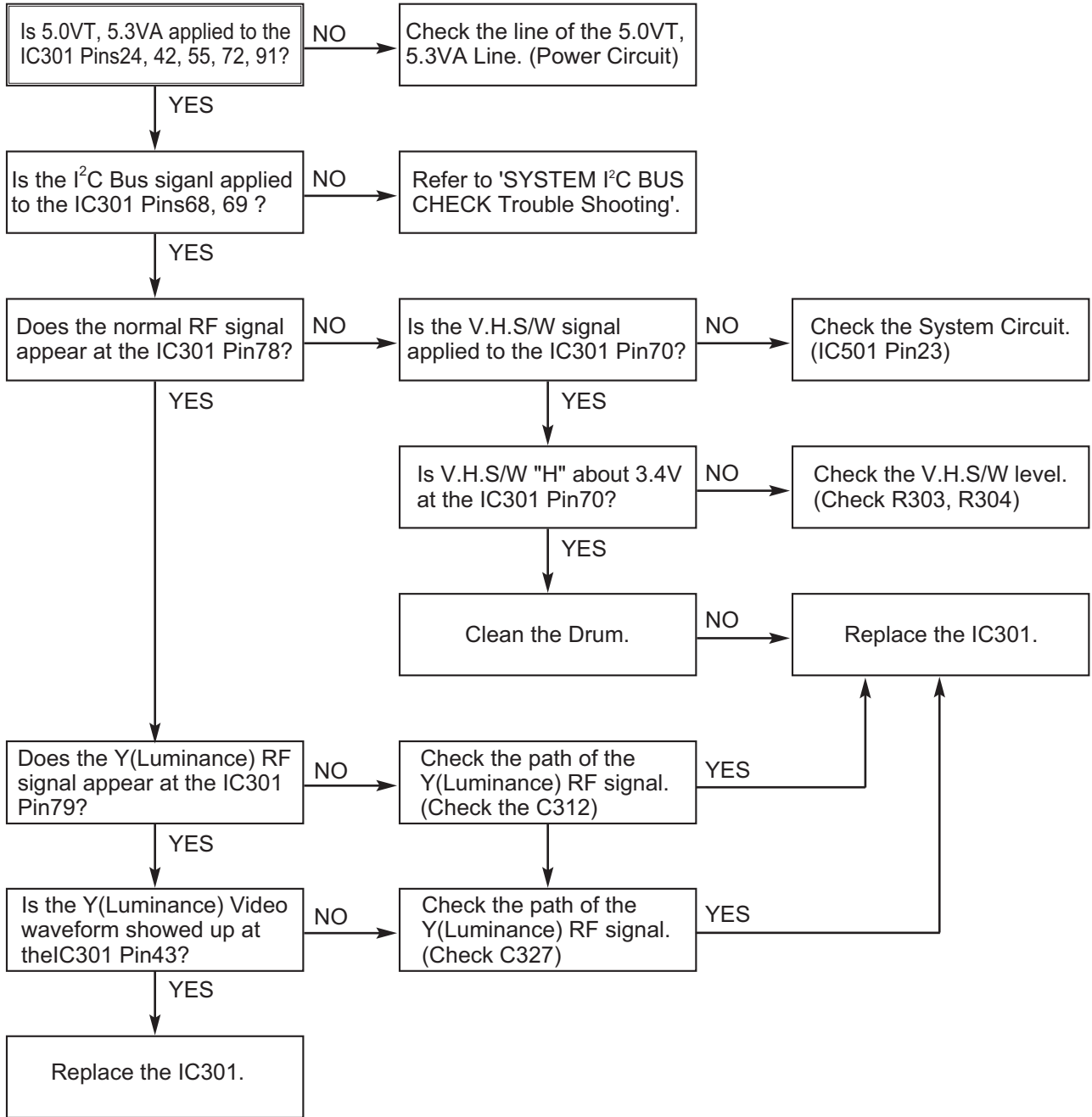
(3) When the Capstan Motor doesn't run,



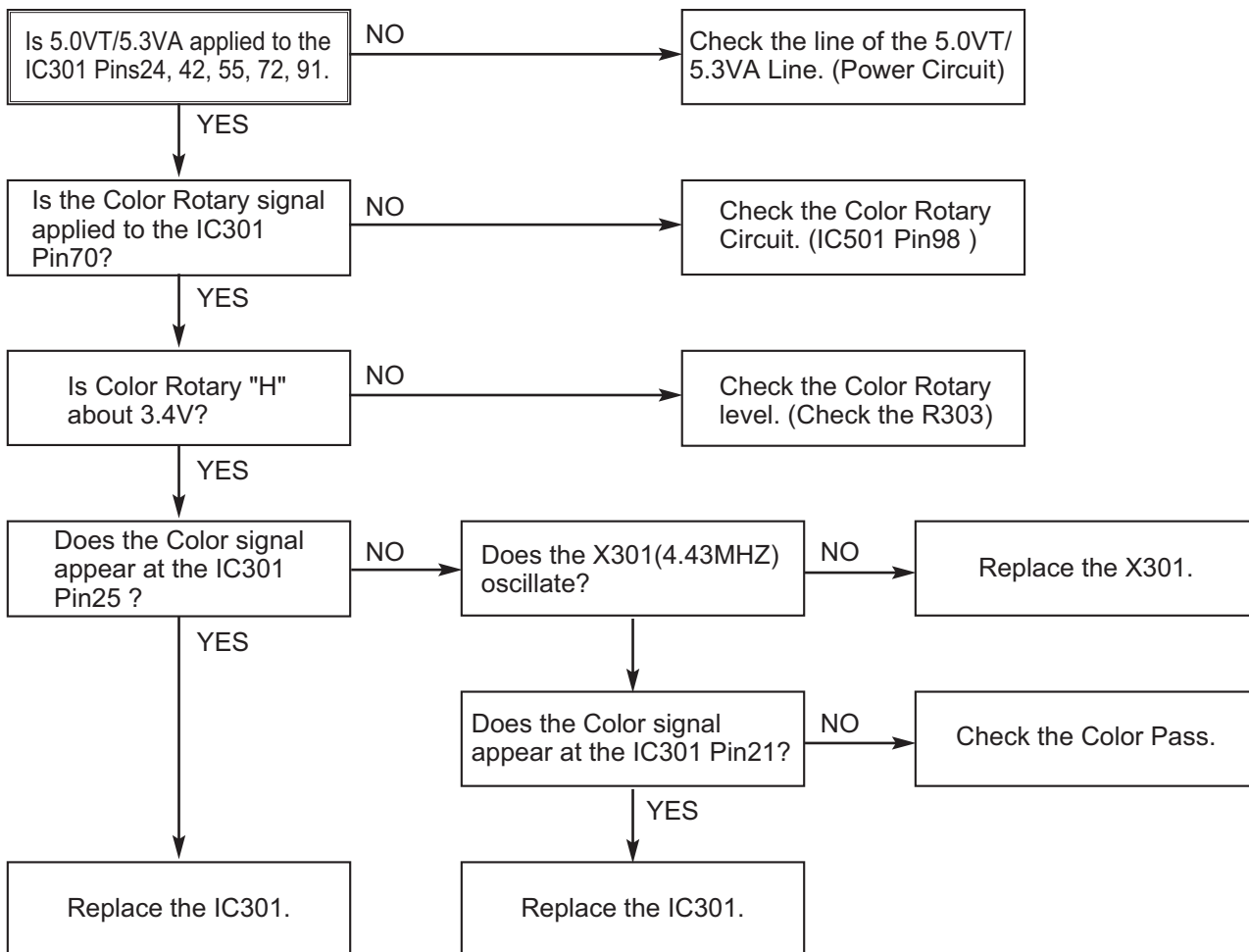
(4) KEY doesn't working



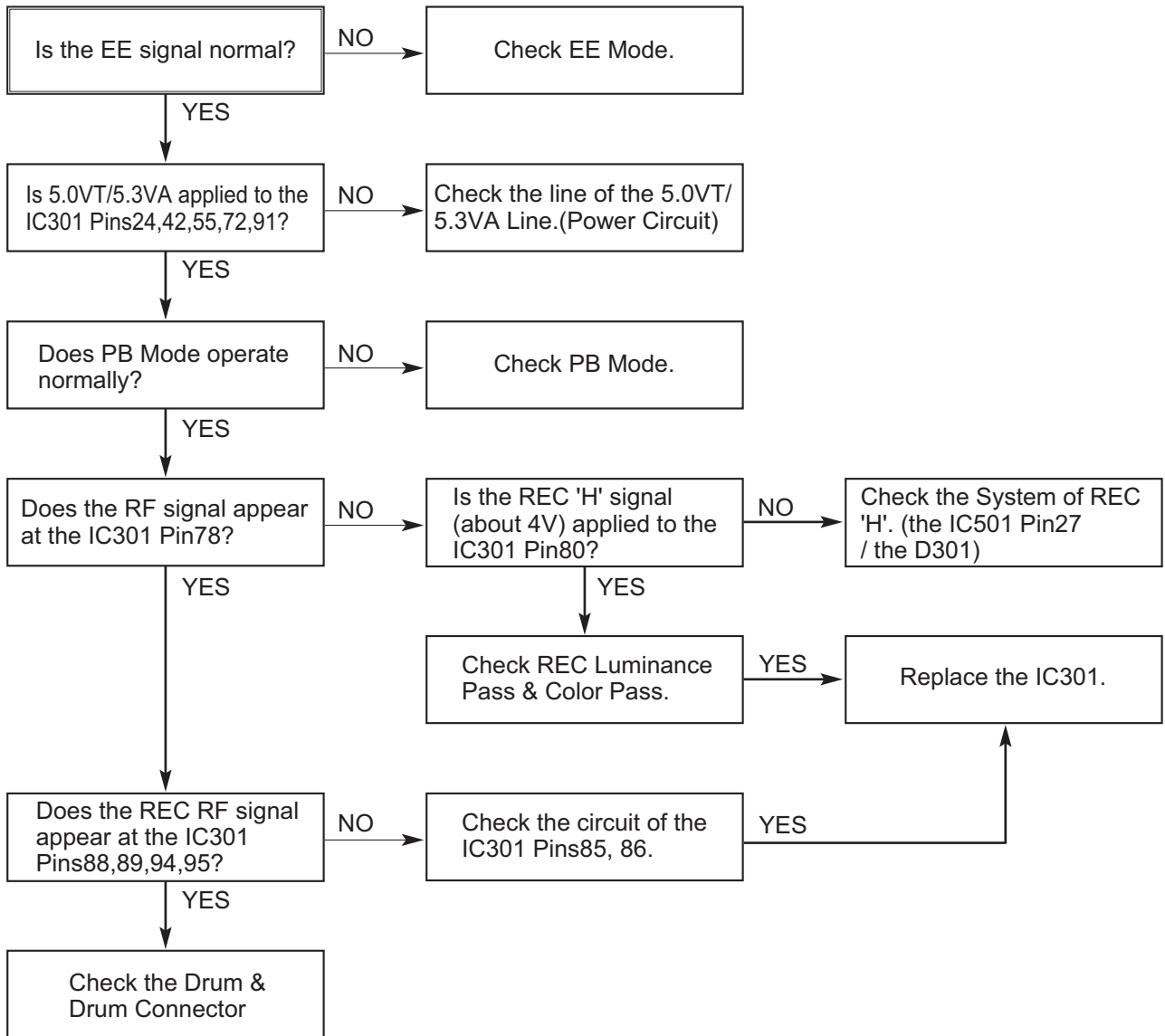
(2) When the Y(Luminance) signal doesn't appear on the screen in PB Mode,



(3) When the C(Color) signal doesn't appear on the screen in PB Mode,

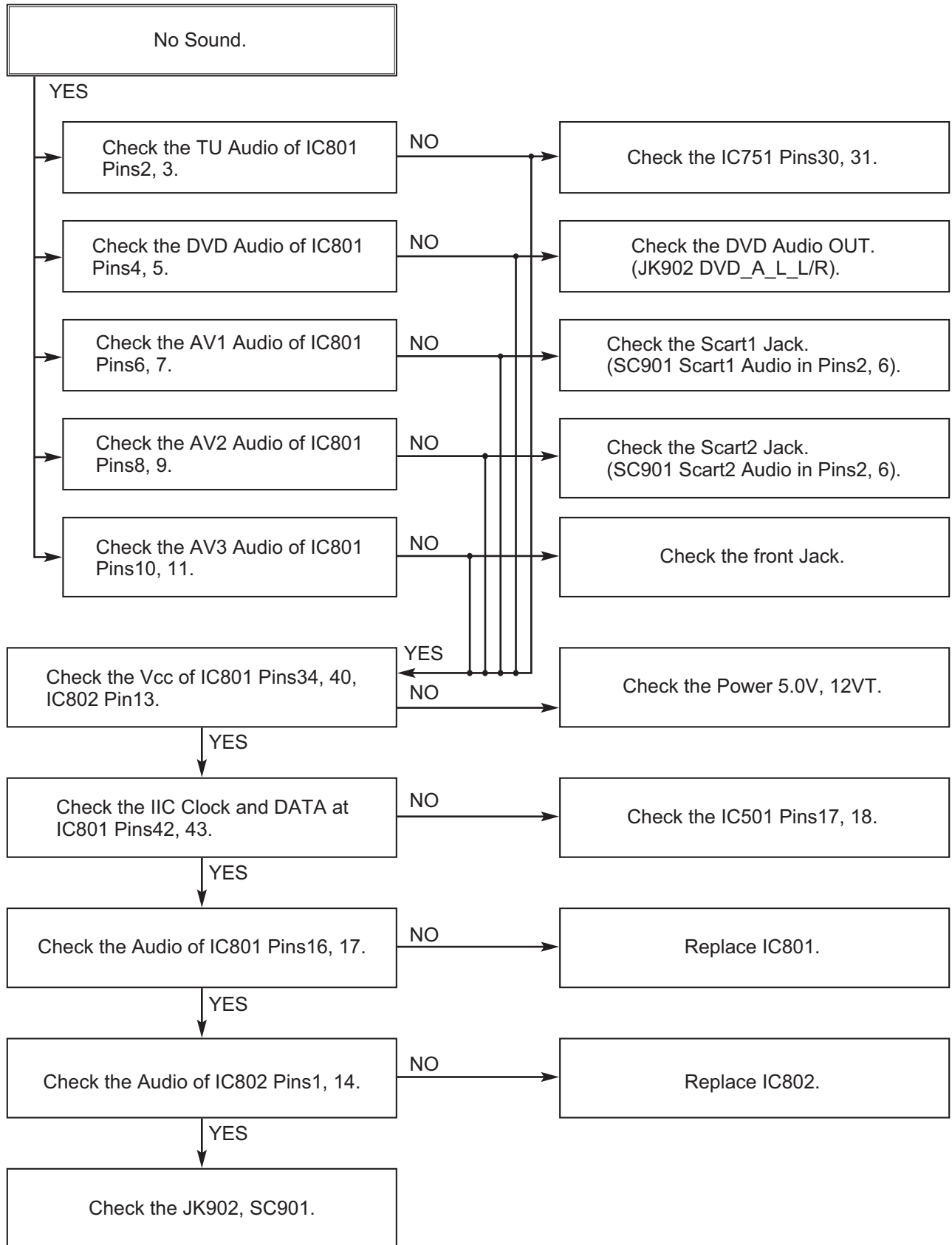


(4) When the Video signal doesn't appear on the screen in REC Mode,

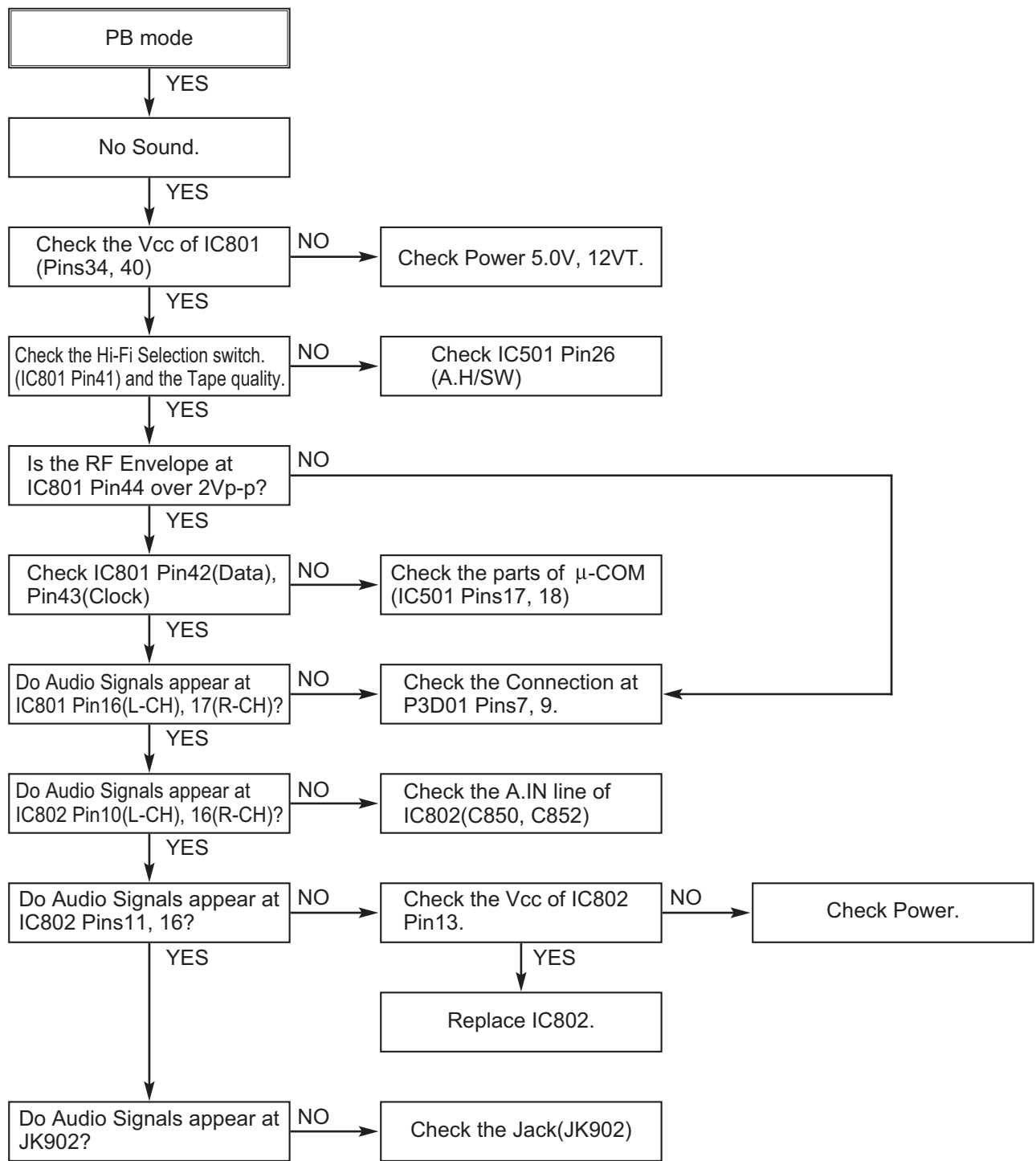


5.1.5 Hi-Fi CIRCUIT

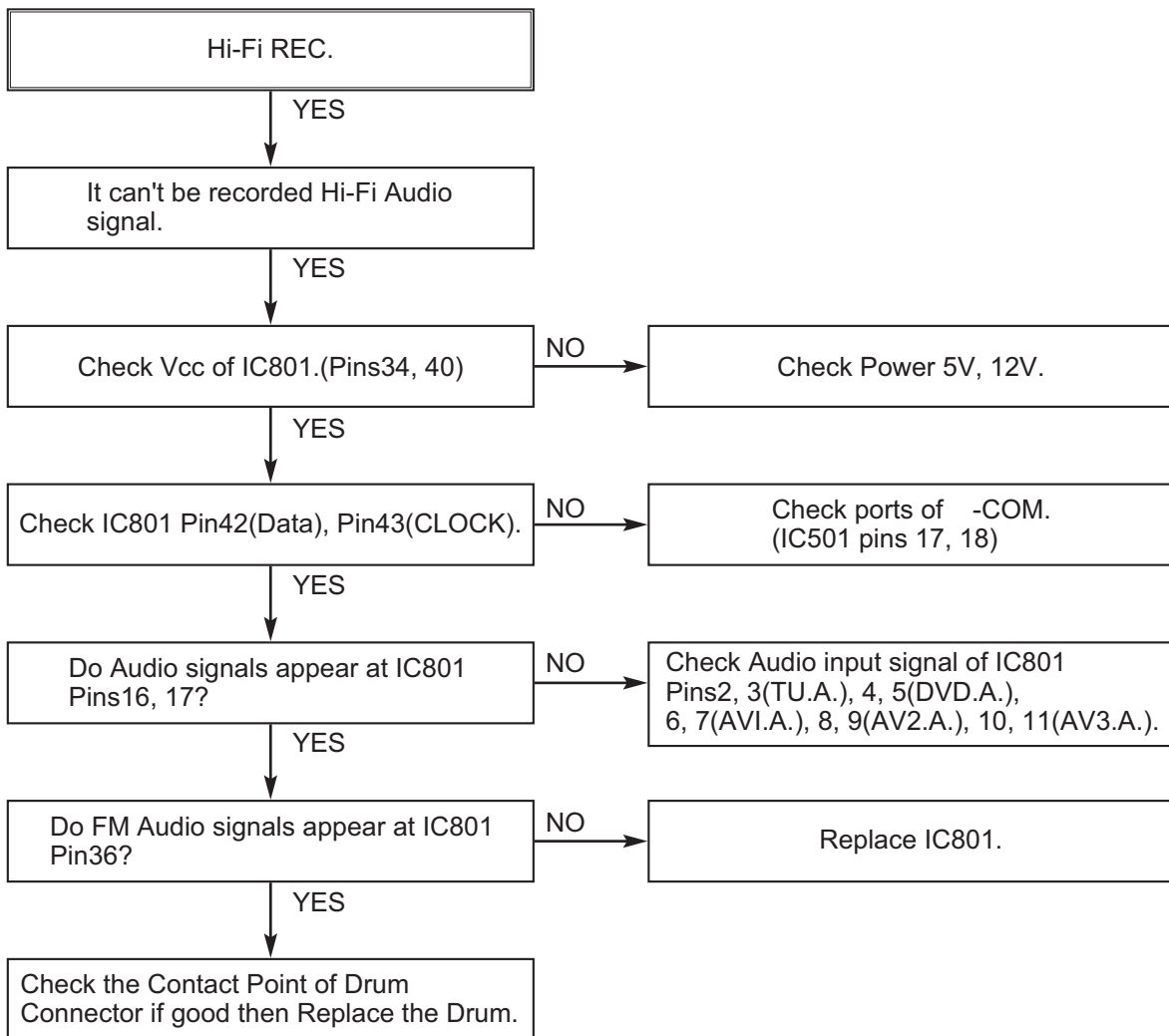
(A) No Sound(EE Mode)



(B) Hi-Fi Playback

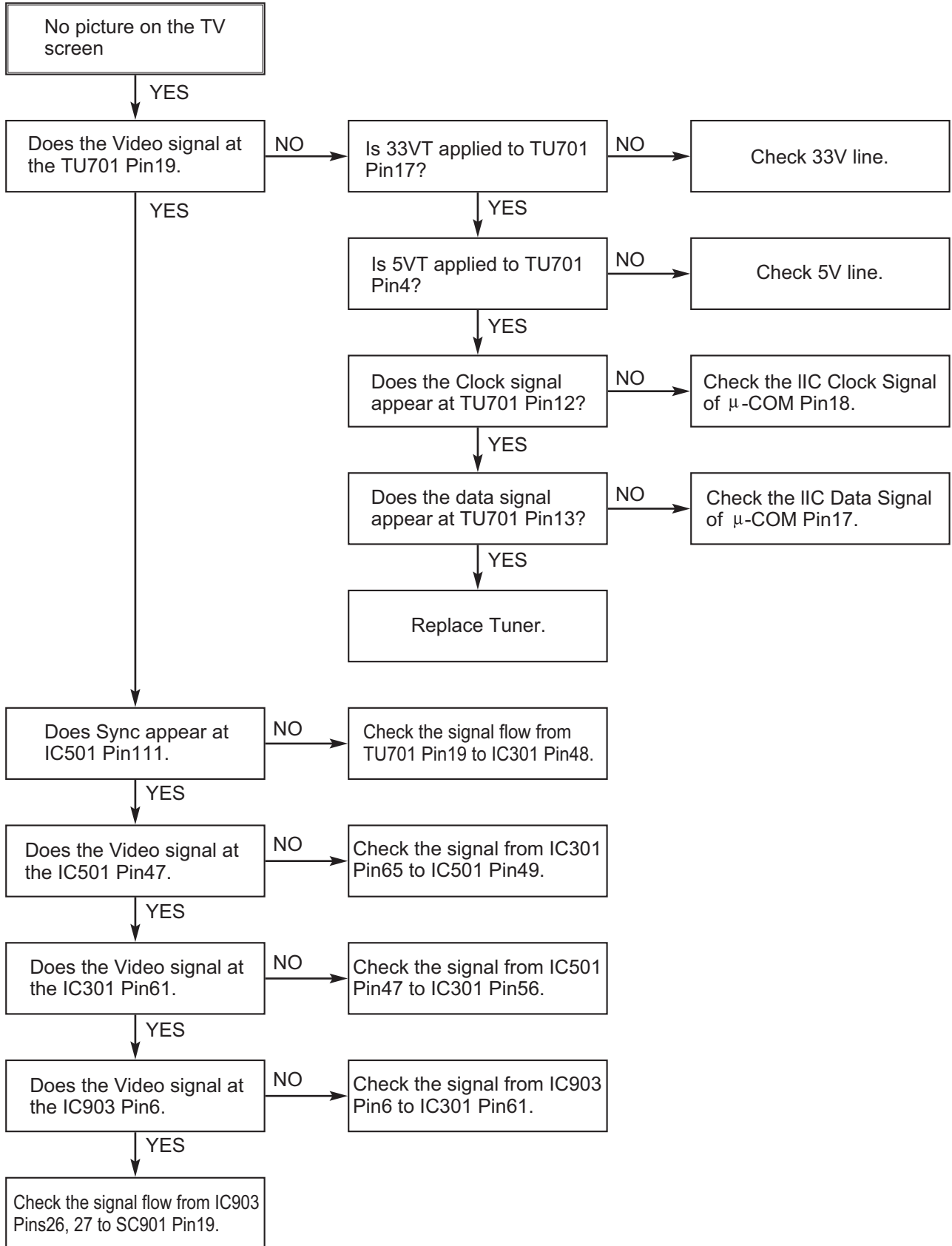


(C)

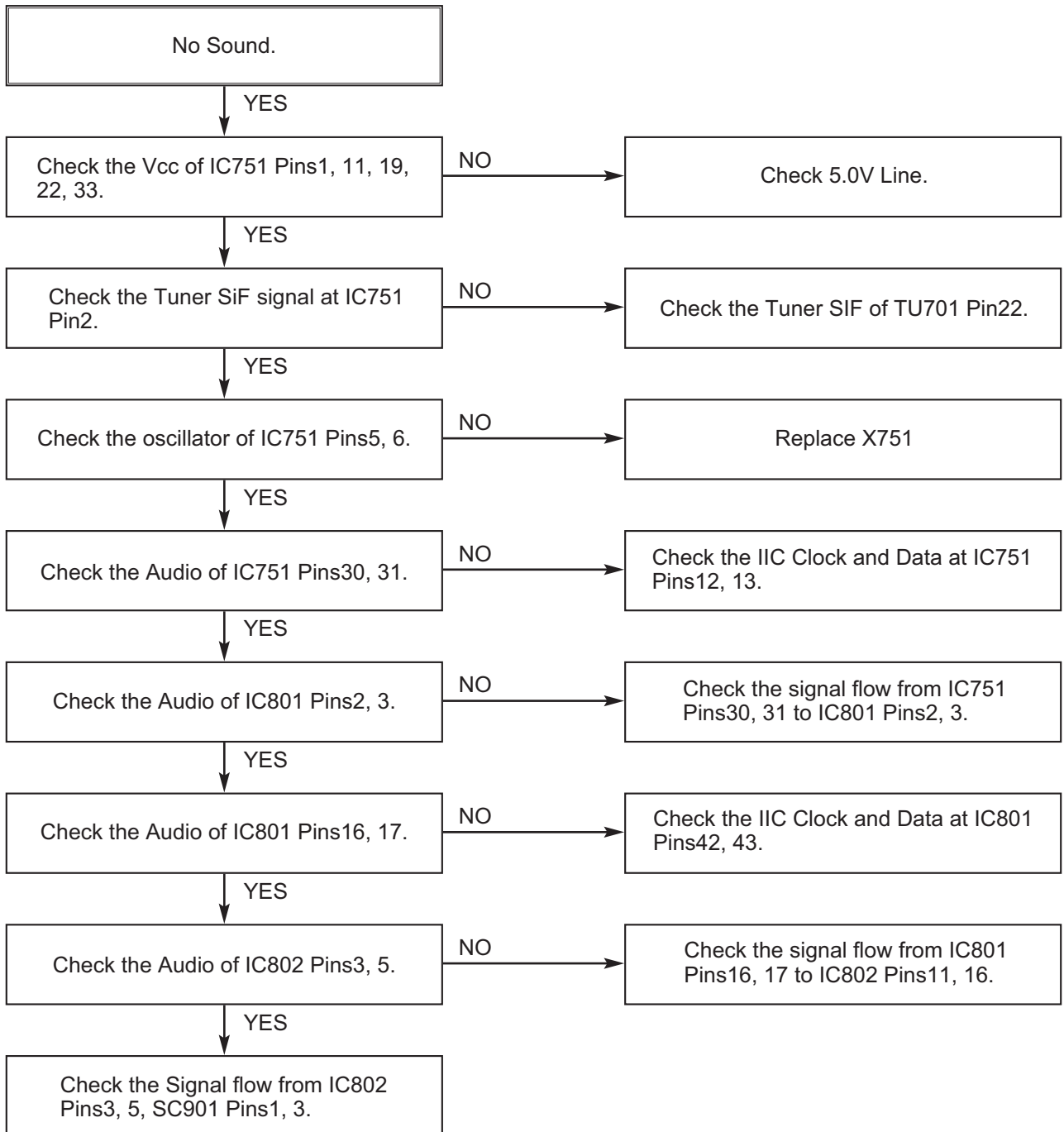


5.1.6 Tuner/IF CIRCUIT

(A) No Picture on the TV screen



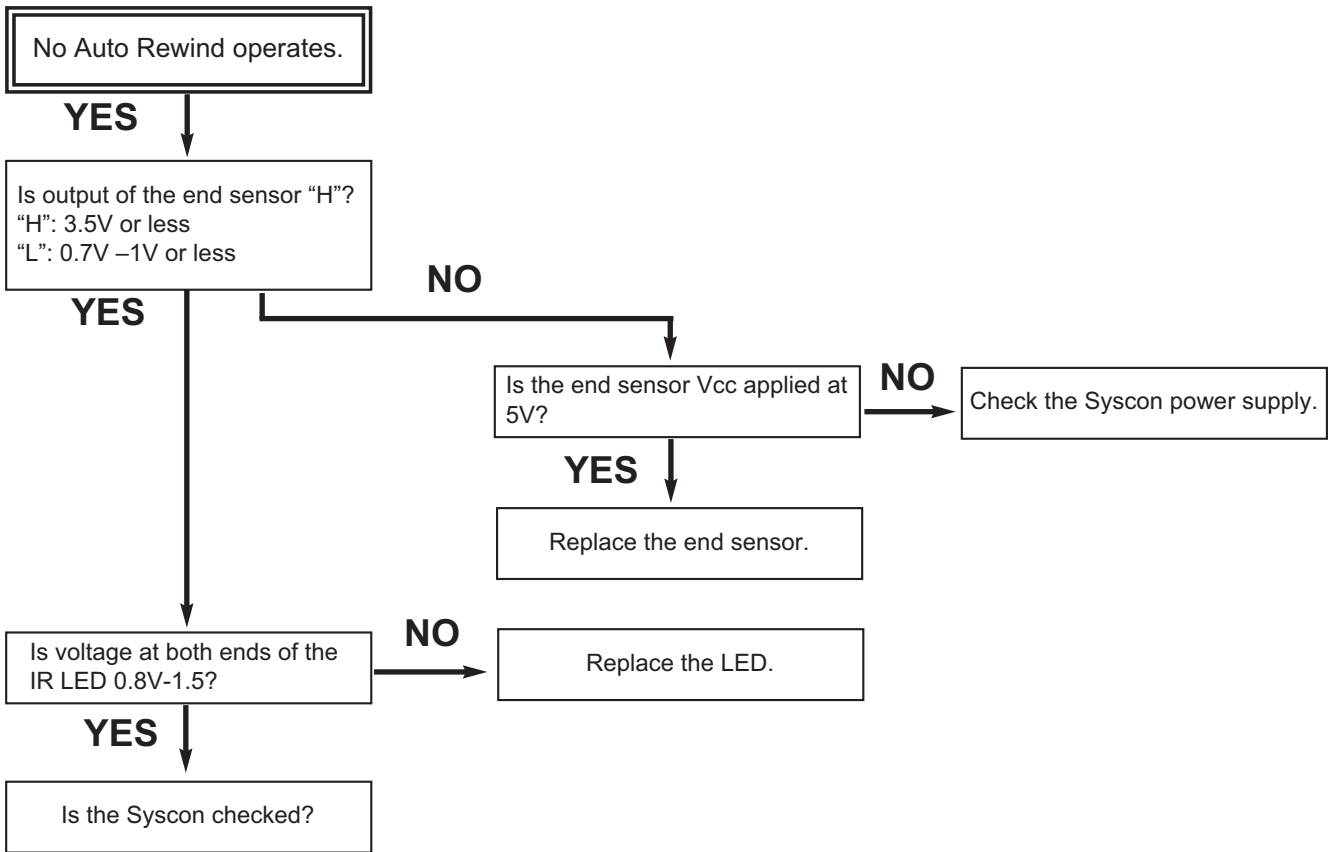
(B) No Sound



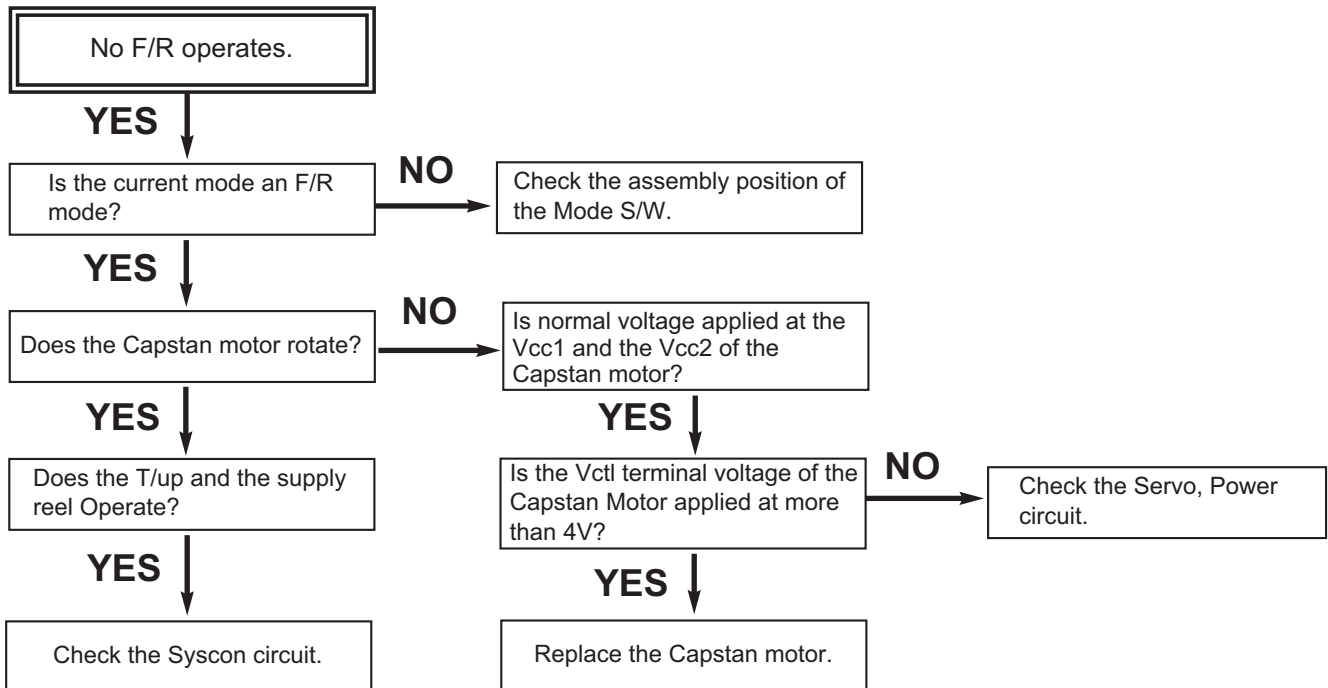
5.2 MECHANISM TROUBLESHOOTING GUIDE (VCR PART)

5.2.1 Deck Mechanism

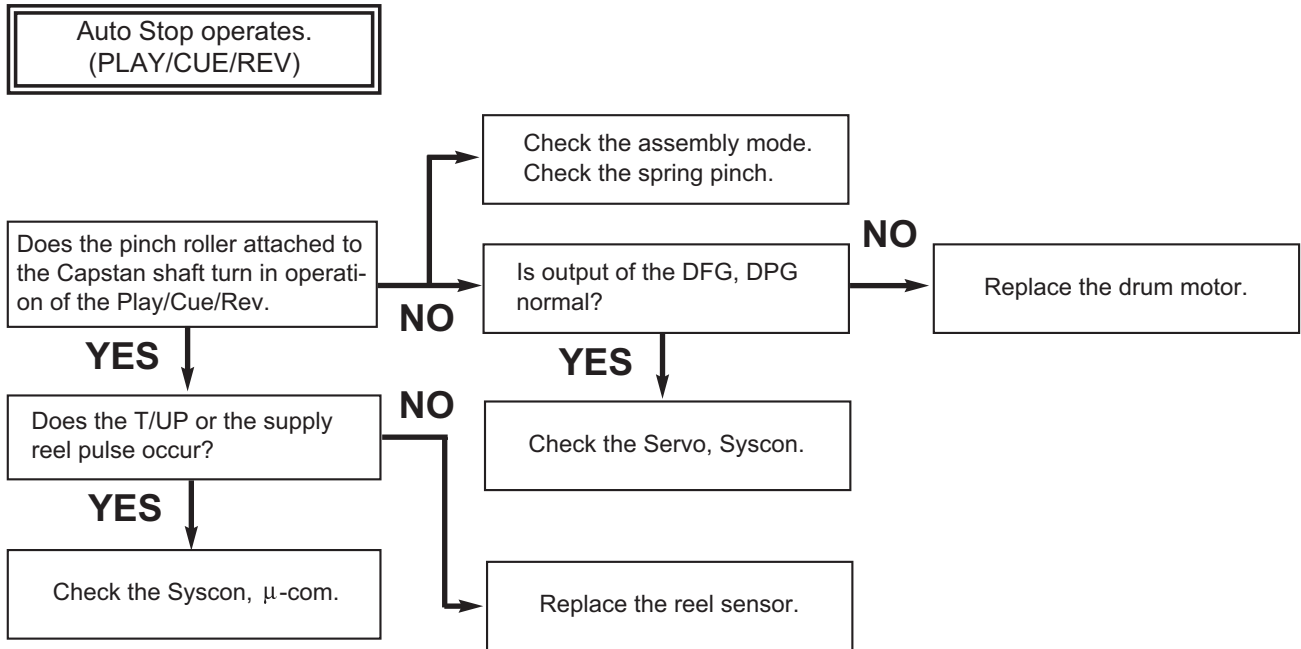
A.



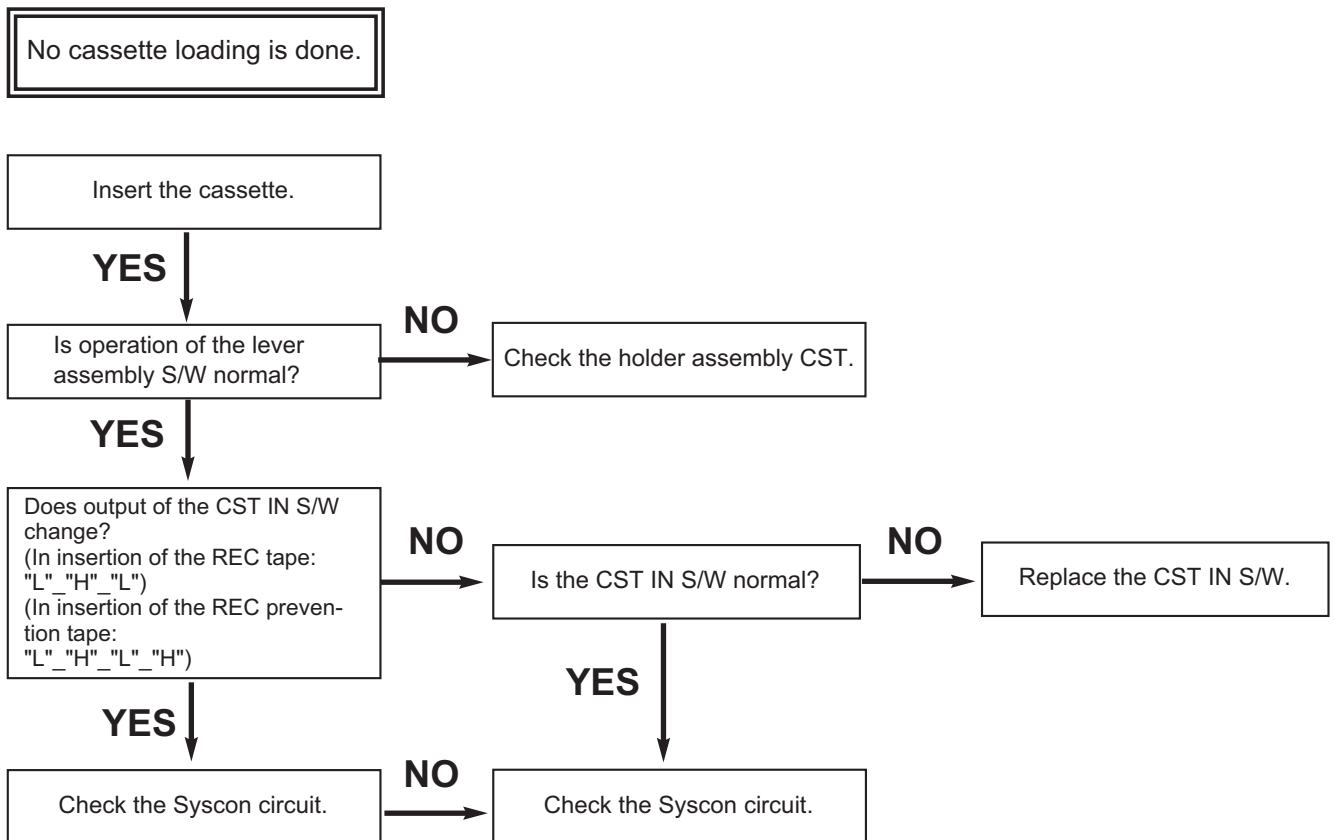
B.



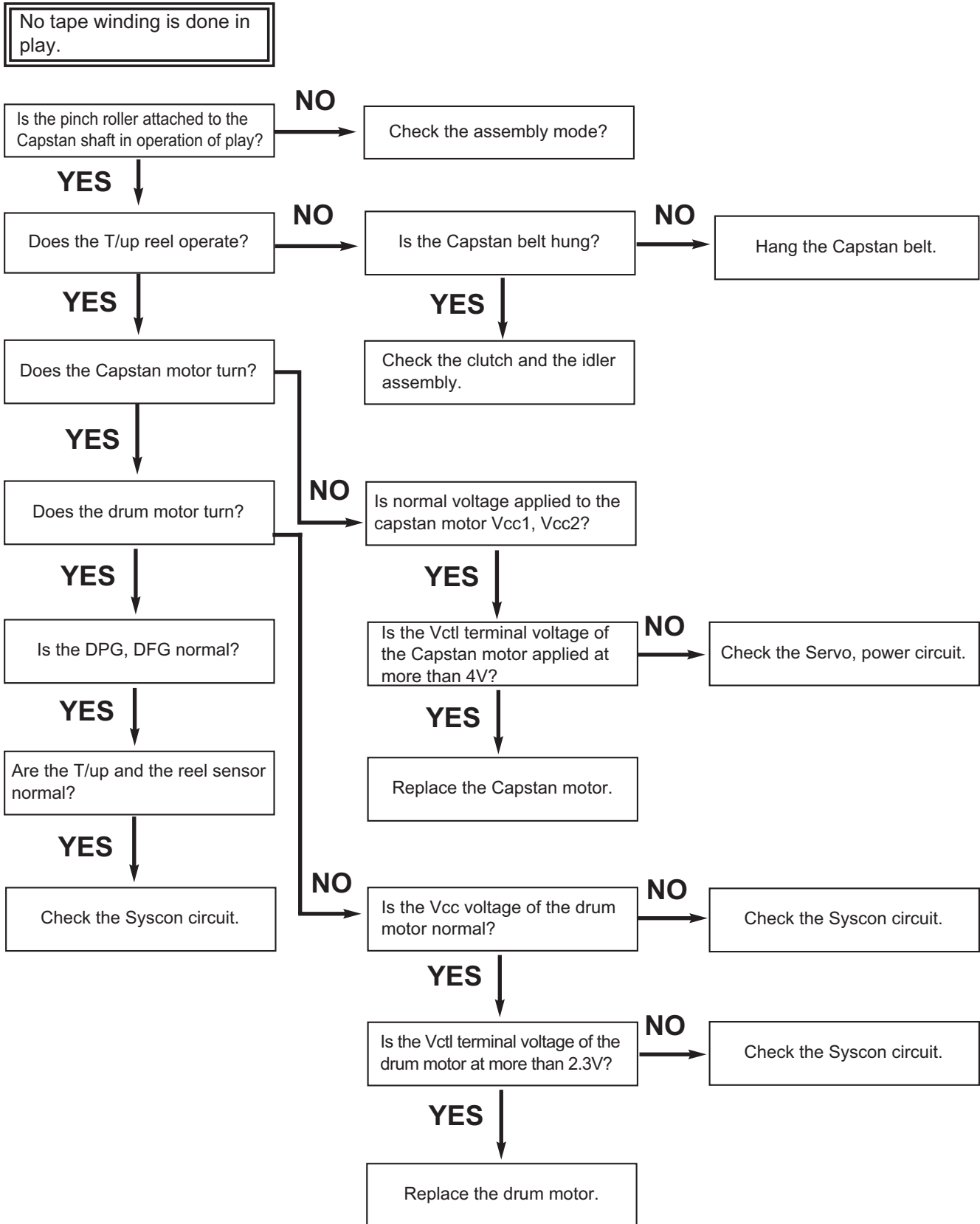
C.



D.

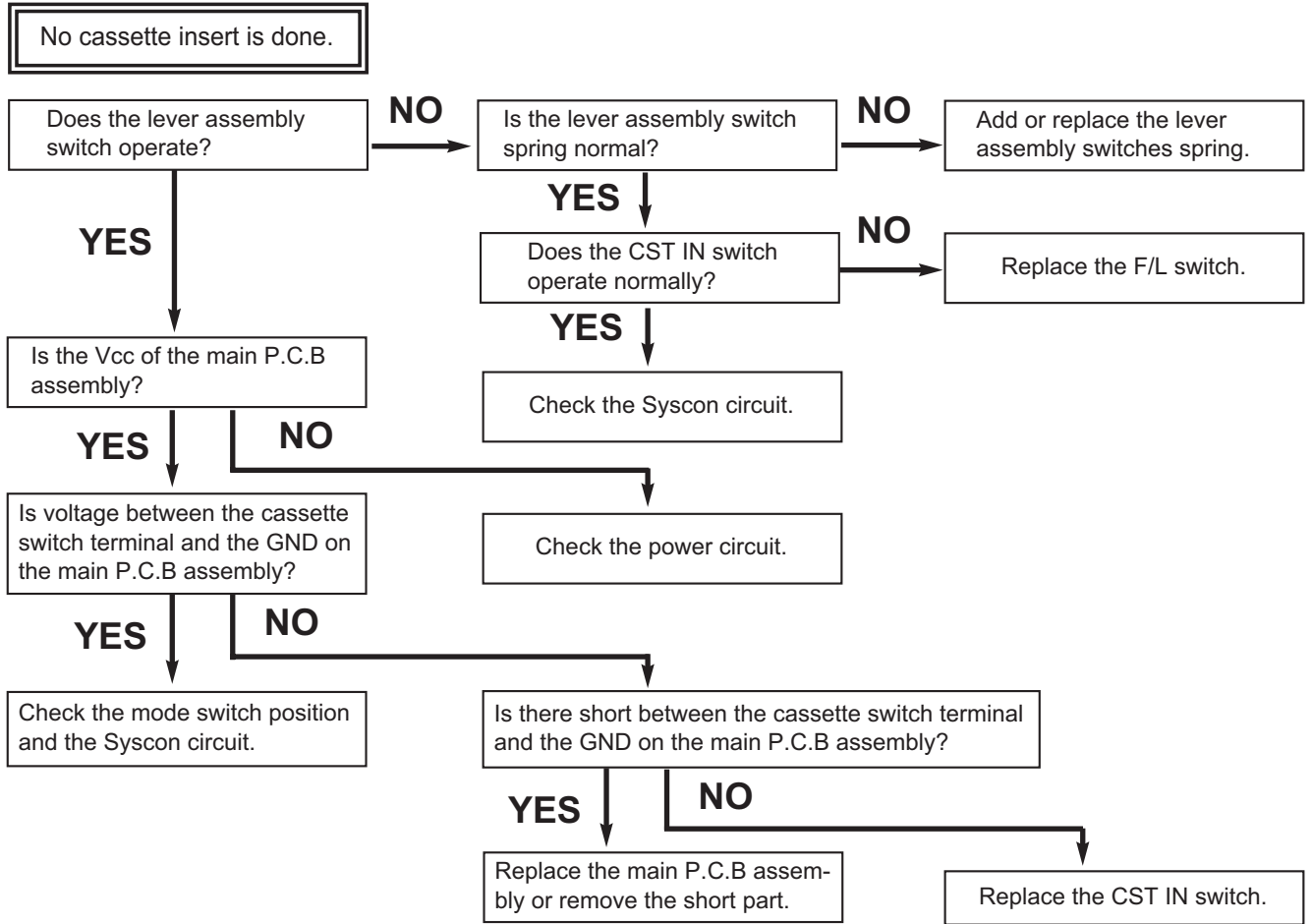


E.

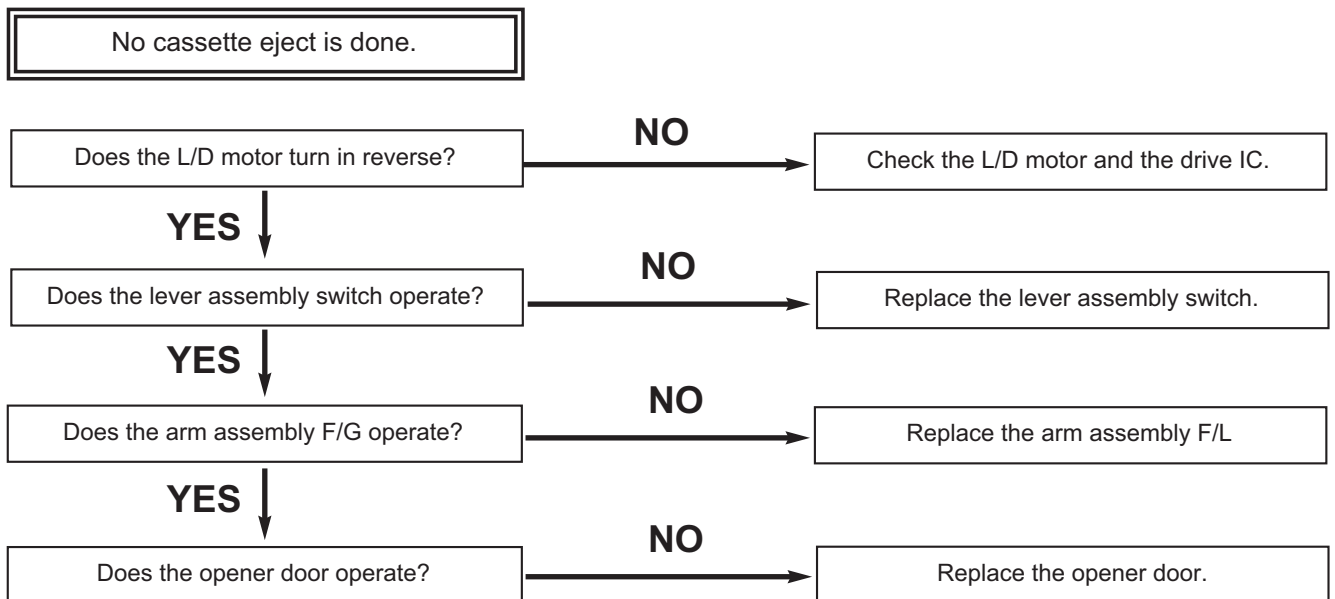


5.2.2 Front Loading Mechanism

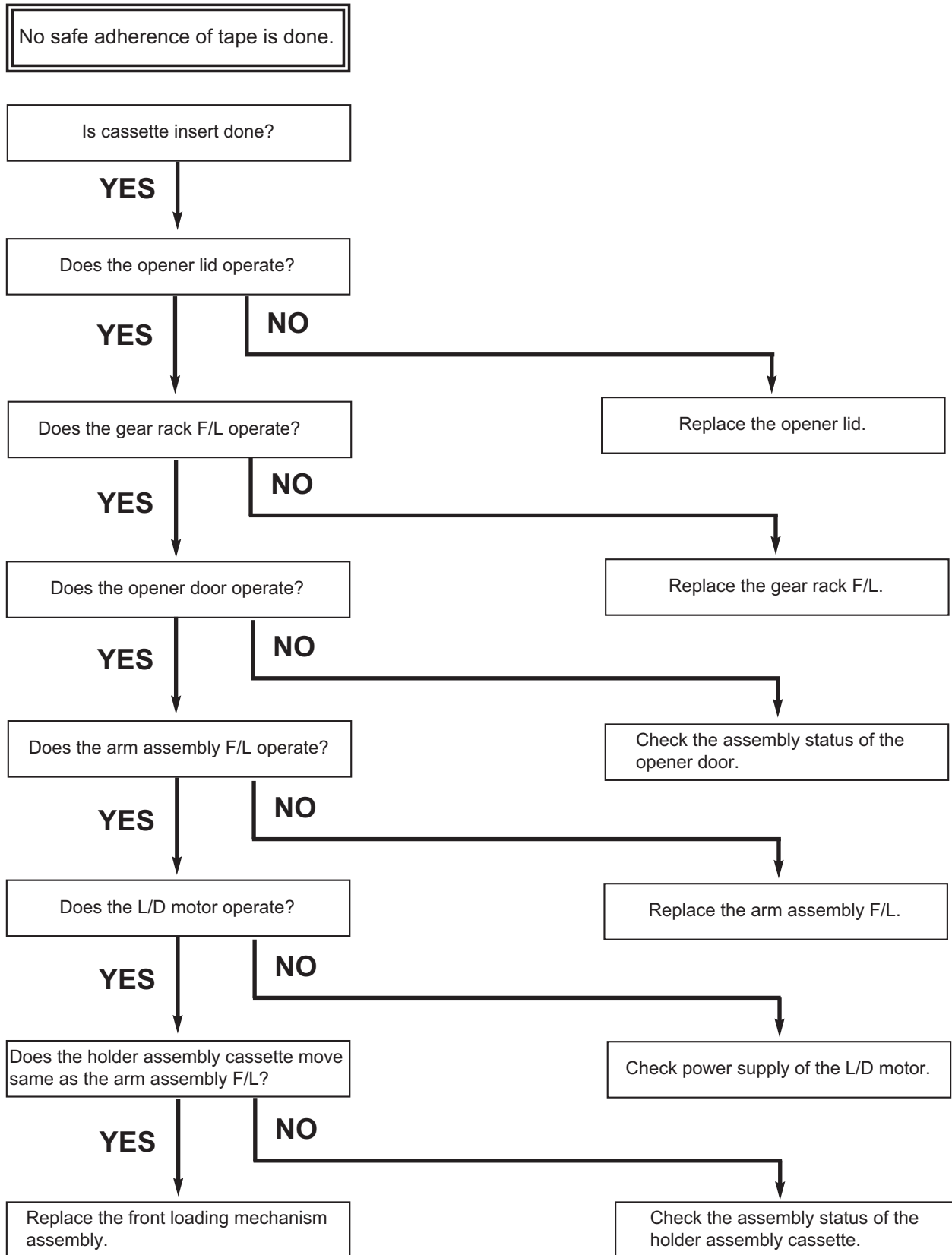
A.



B.

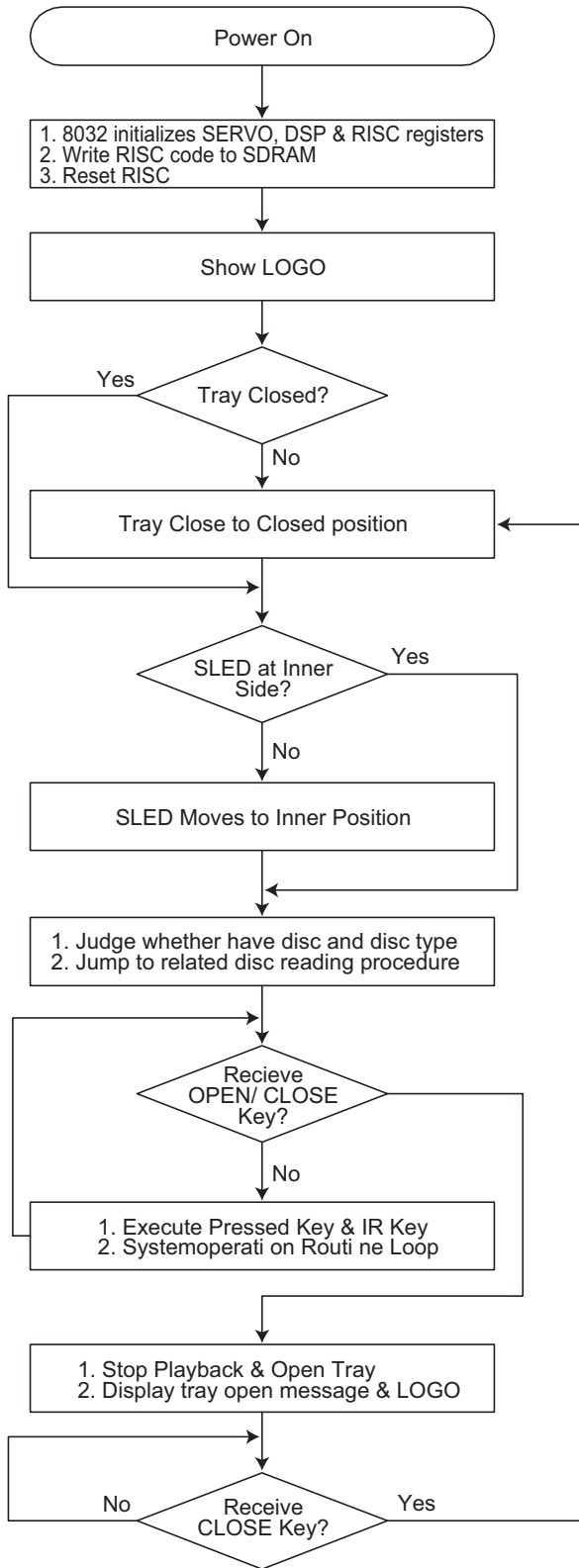


C.

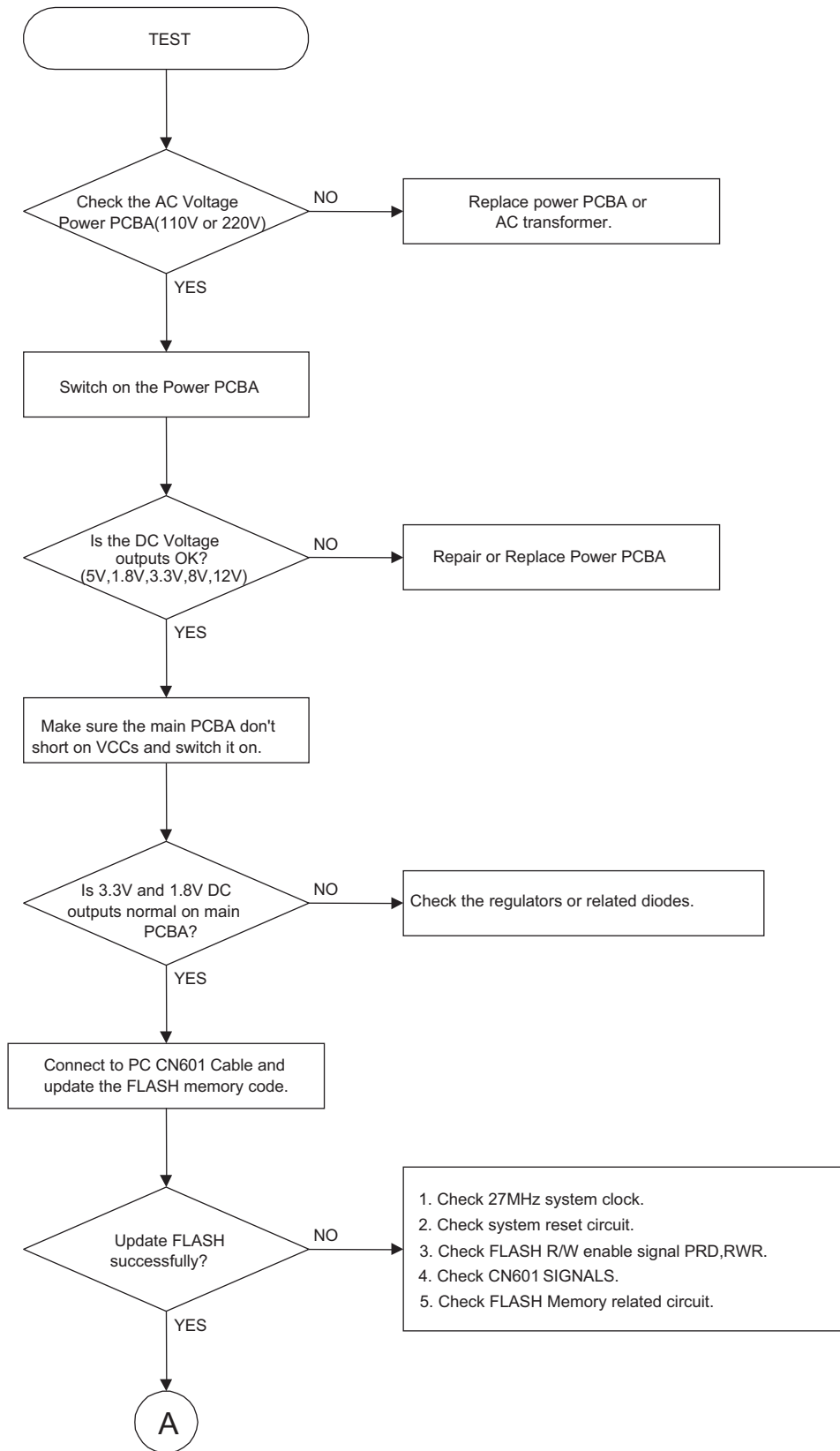


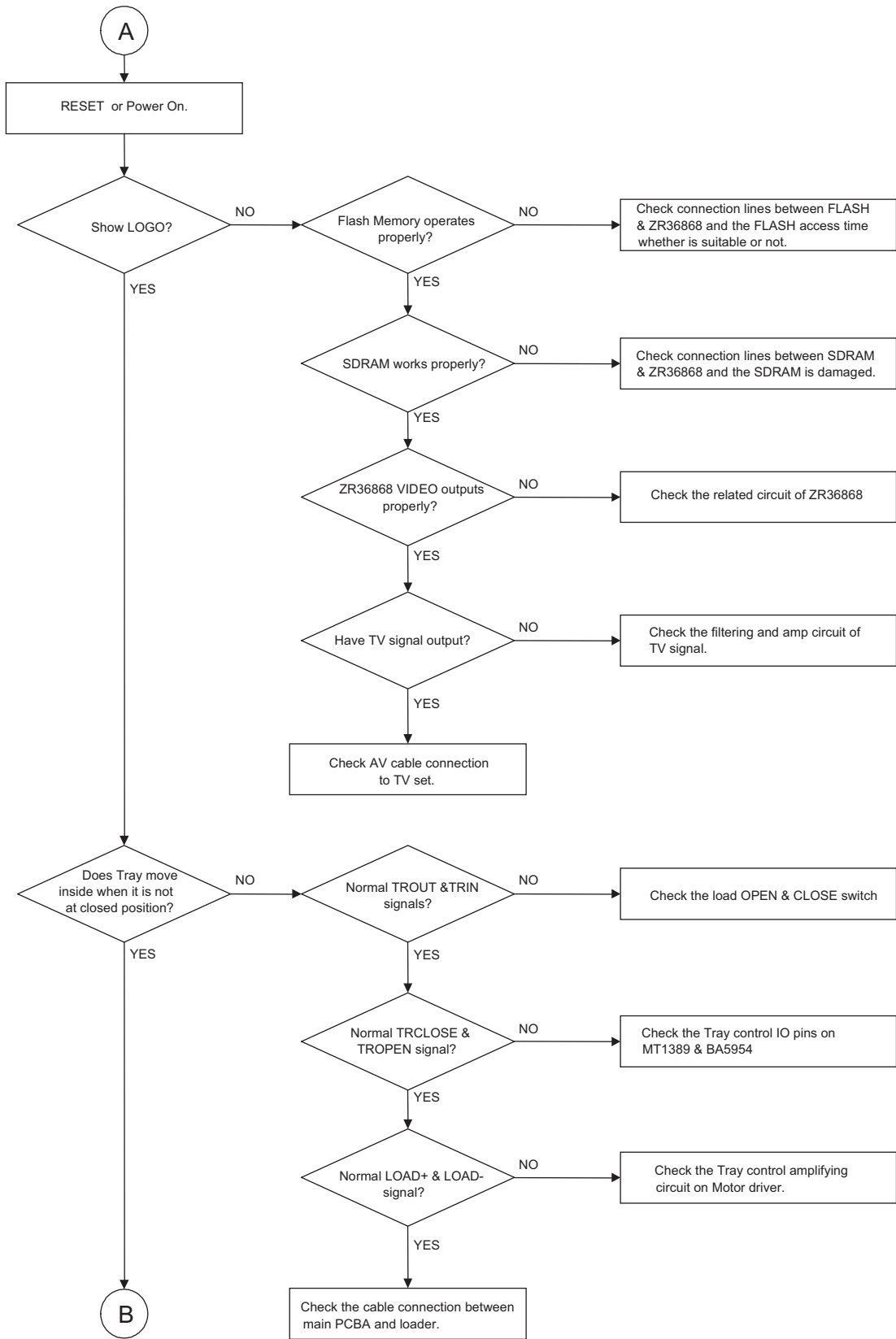
5.3 ELECTRICAL TROUBLESHOOTING GUIDE (DVD PART)

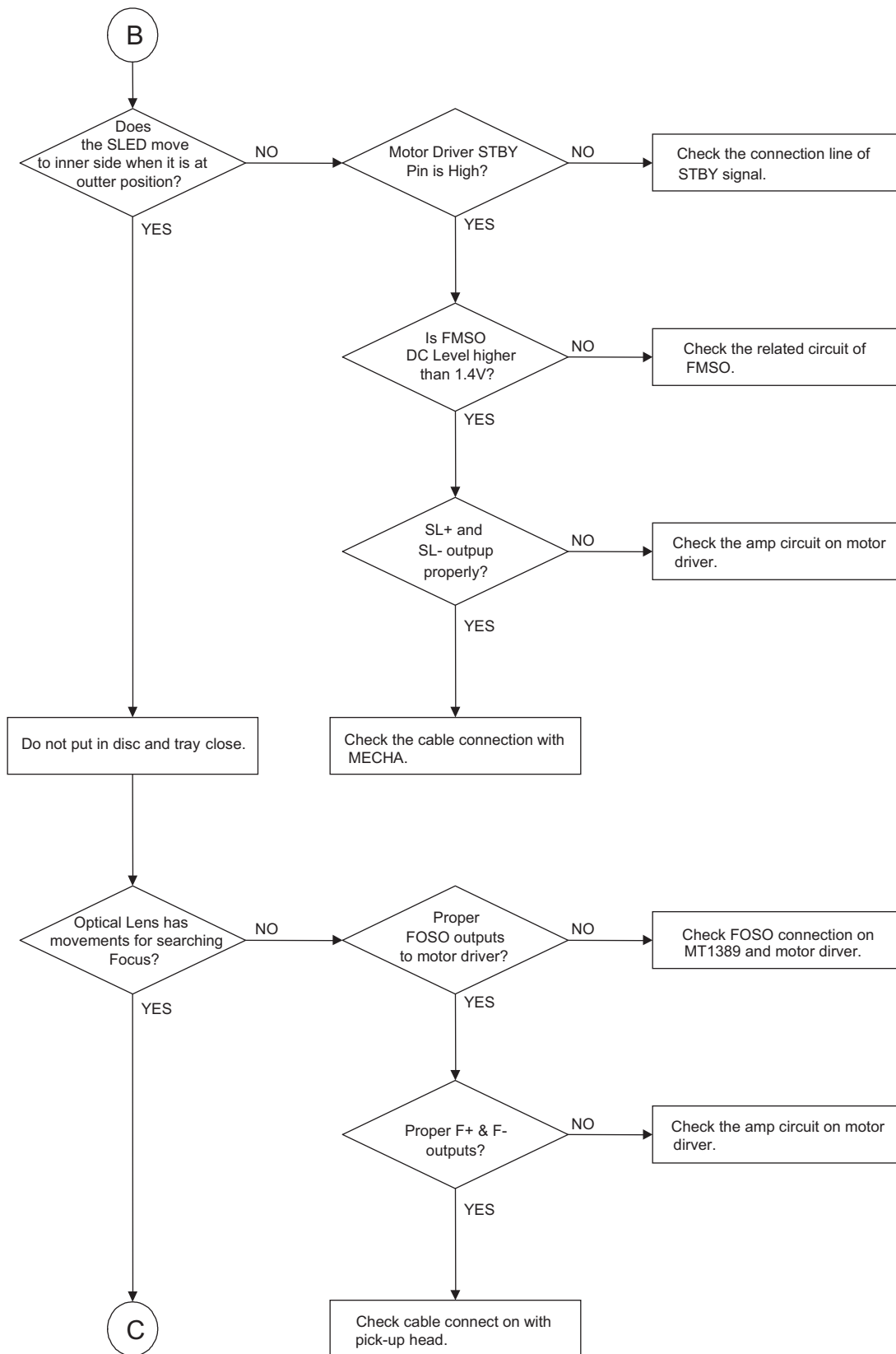
5.3.1 System operation flow

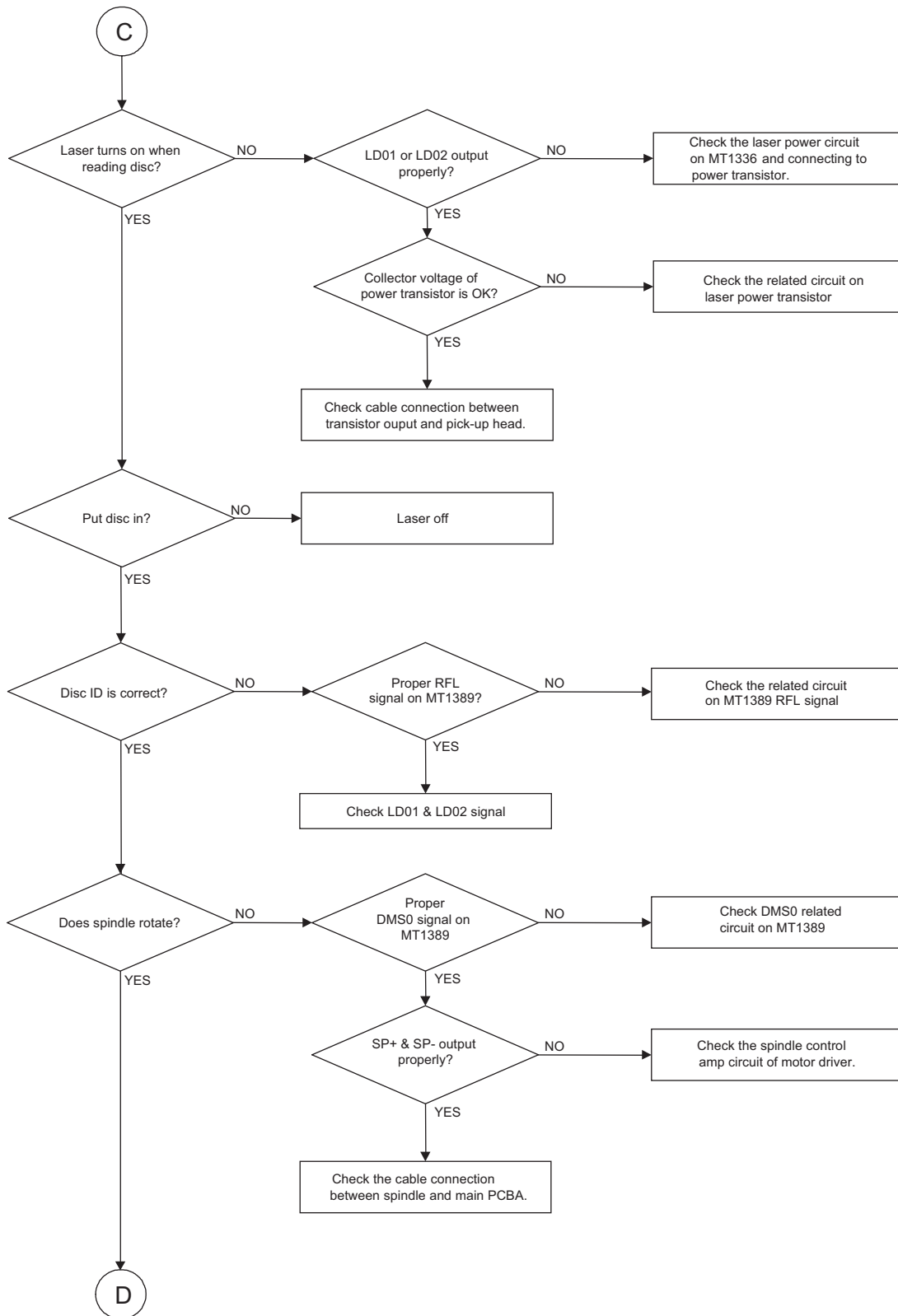


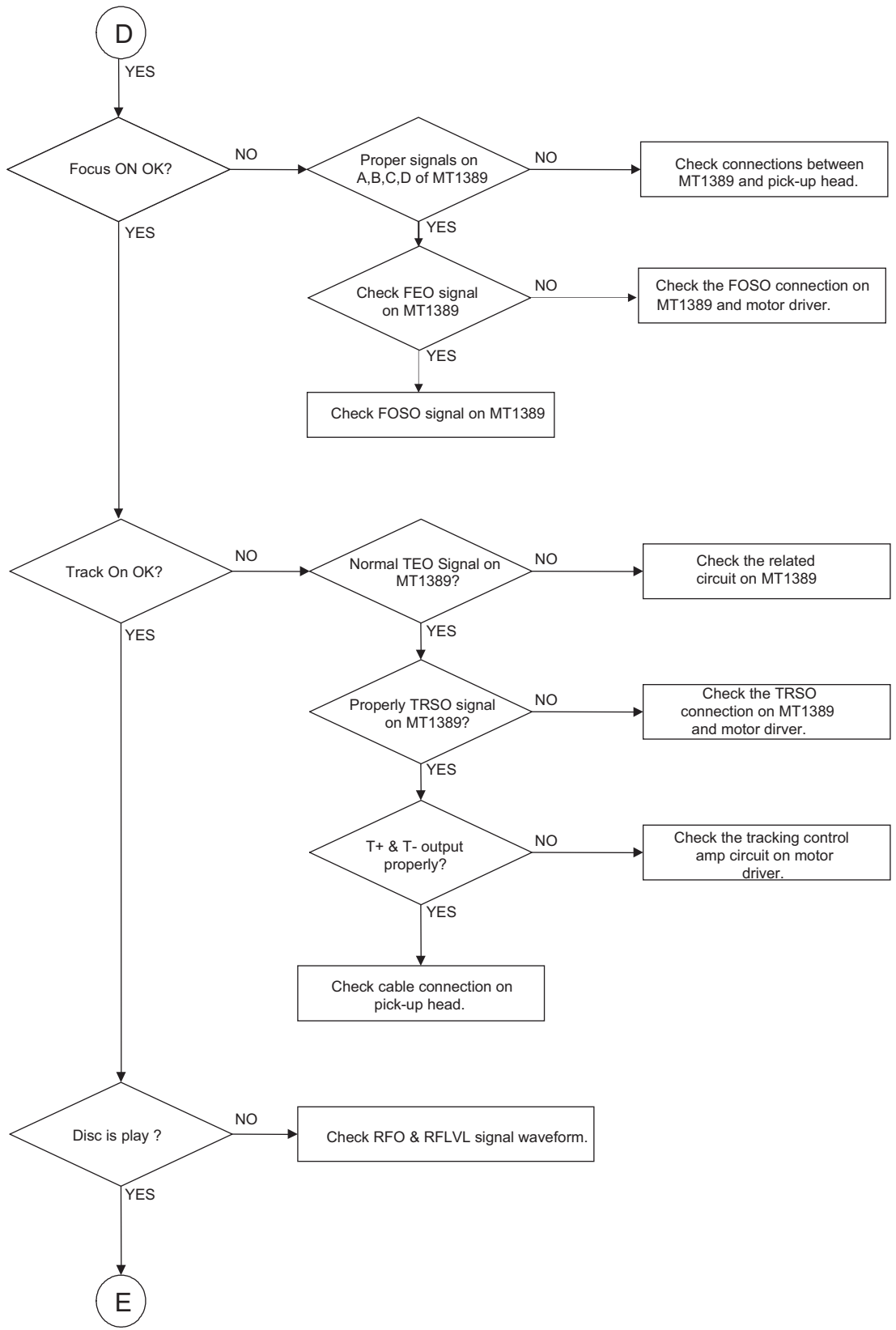
5.3.2 SYSTEM Test flow

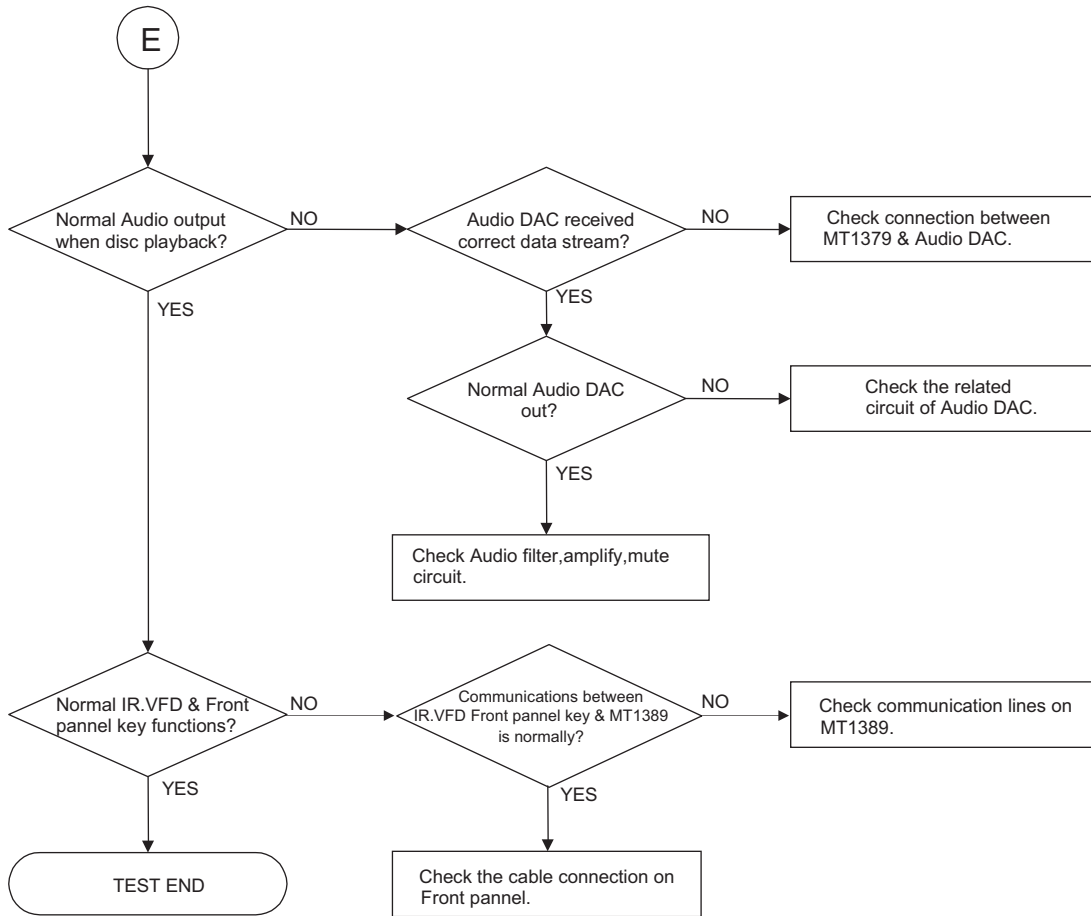








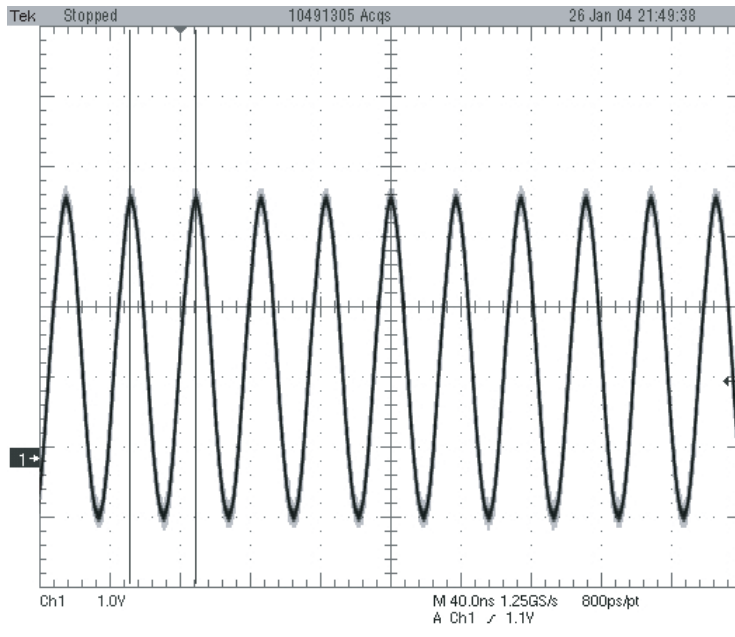




5.4 DETAILS AND WAVEFORMS ON SYSTEM TEST AND DEBUGGING

5.4.1 SYSTEM 27MHz CLOCK, RESET, FLASH R/W SIGNAL

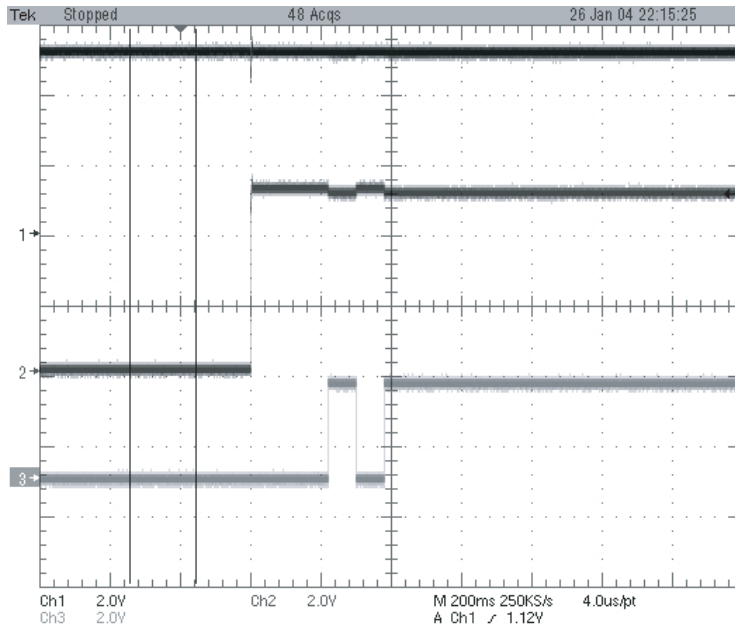
1) MT1389 main clock is at 27MHz(X501)



1.0V, 27MHz

FIG 1-1

2) MT1389 reset is low active



5.2VA

PWR_CTL

M_RESET(FRONT)

FIG 1-2

3) RS232 waveform during procedure(Downloading)

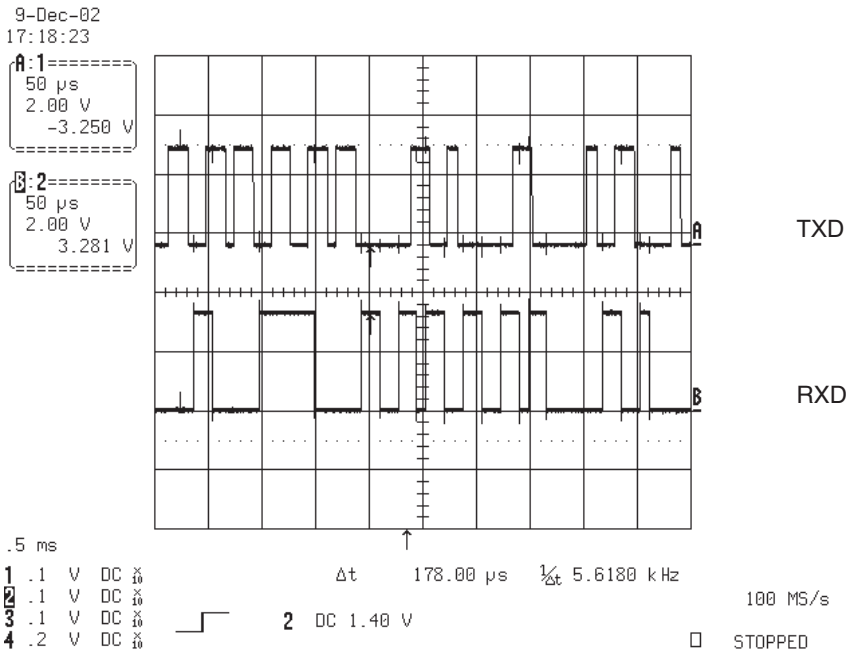


FIG 1-3

4) Flash R/W enable signal during download(Downloading)

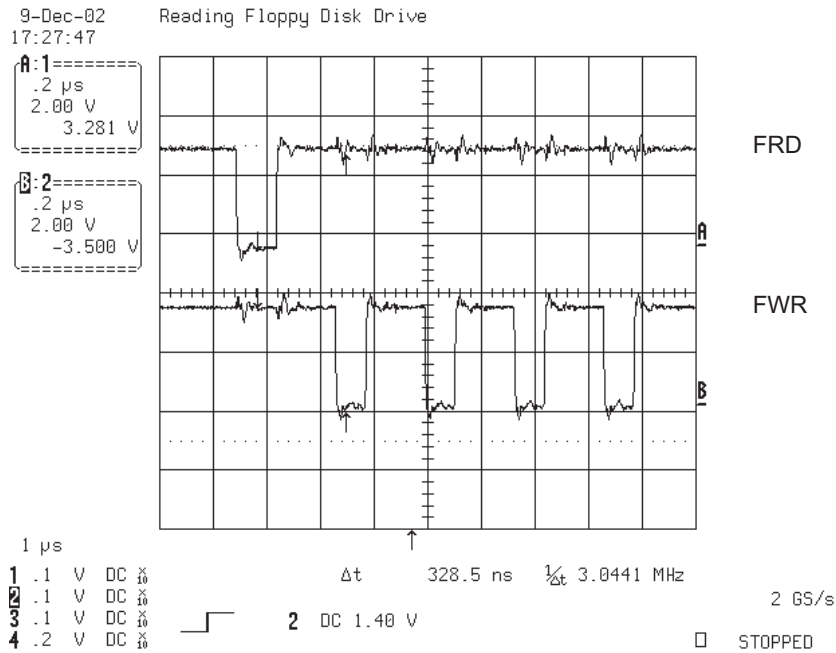


FIG 1-4

5.4.2 SDRAM CLOCK

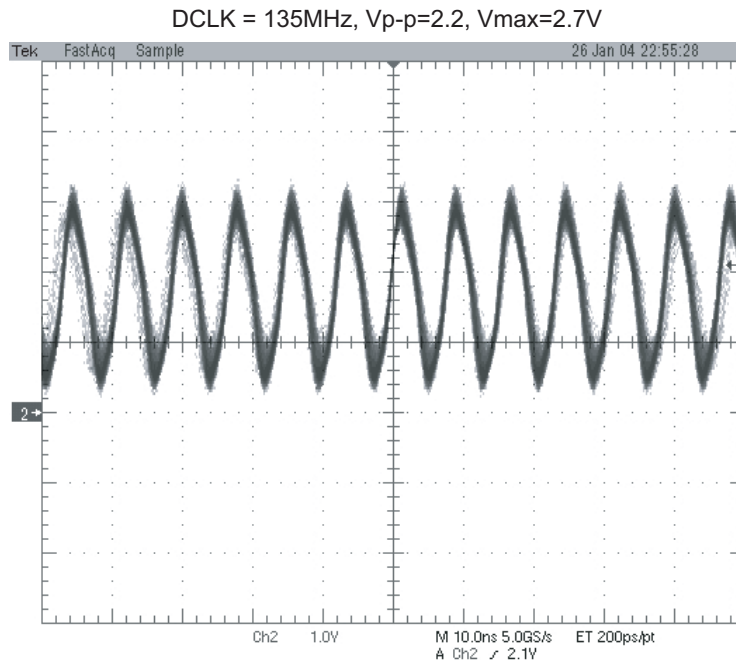


FIG 2-1

5.4.3 TRAY OPEN/CLOSE SIGNAL

1) Tray open/close waveform

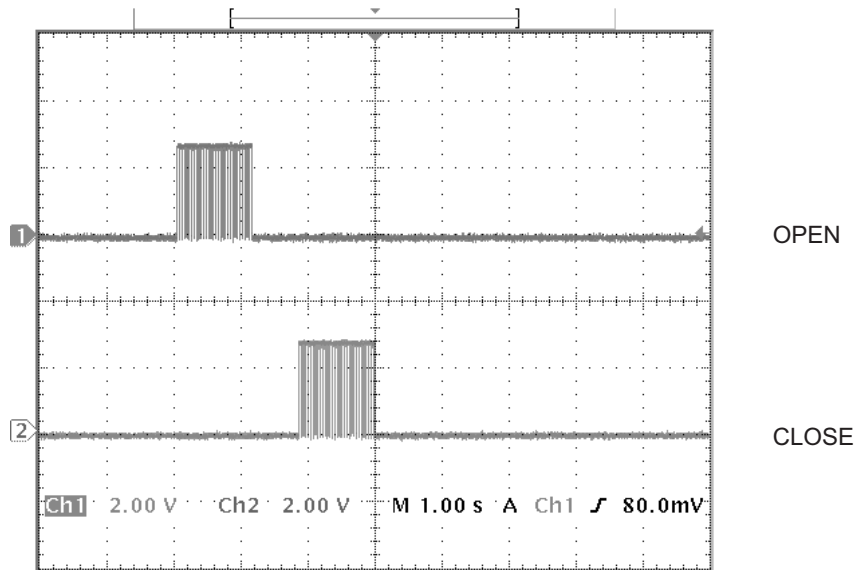


FIG 3-1

5.4.4 SLED CONTROL RELATED SIGNAL (NO DISC CONDITION)

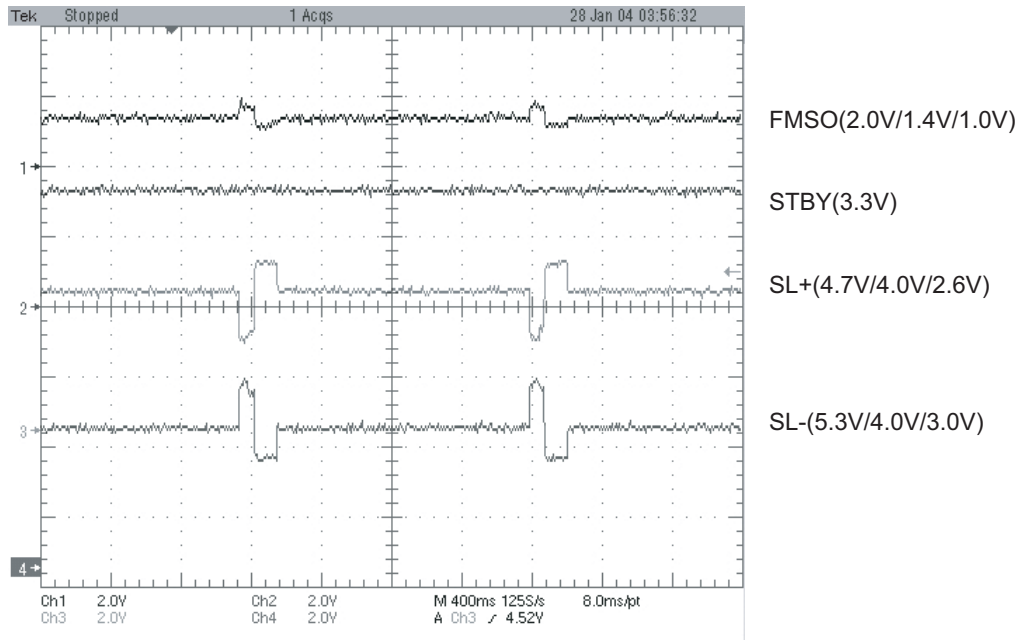


FIG 4-1

5.4.5 LENS CONTROL RELATED SIGNAL(NO DISC CONDITION)

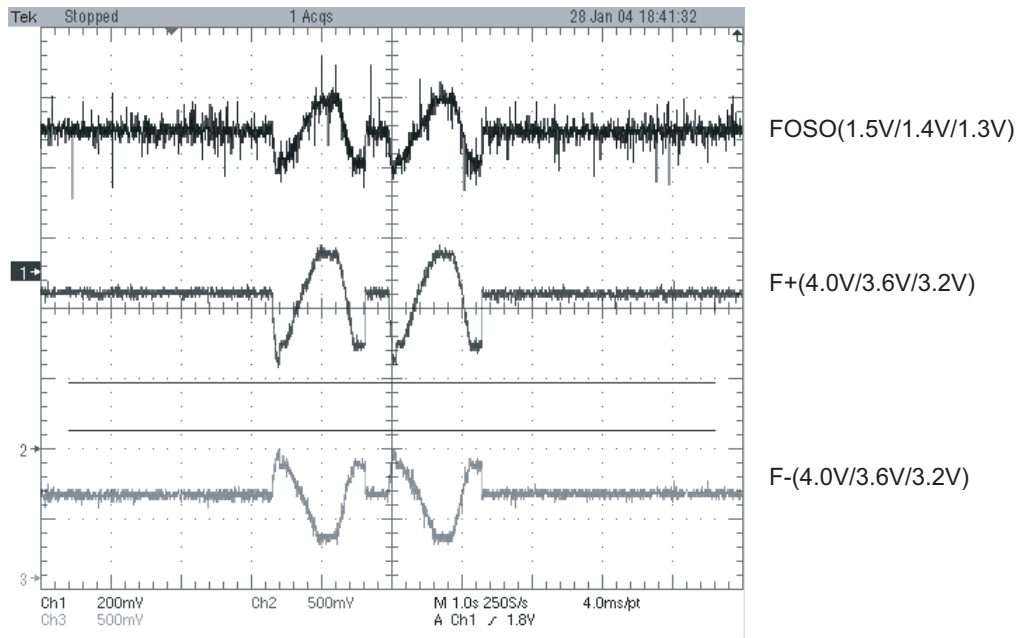


FIG 5-1

5.4.6 LASER POWER CONTROL RELATED SIGNAL(NO DISC CONDITION)

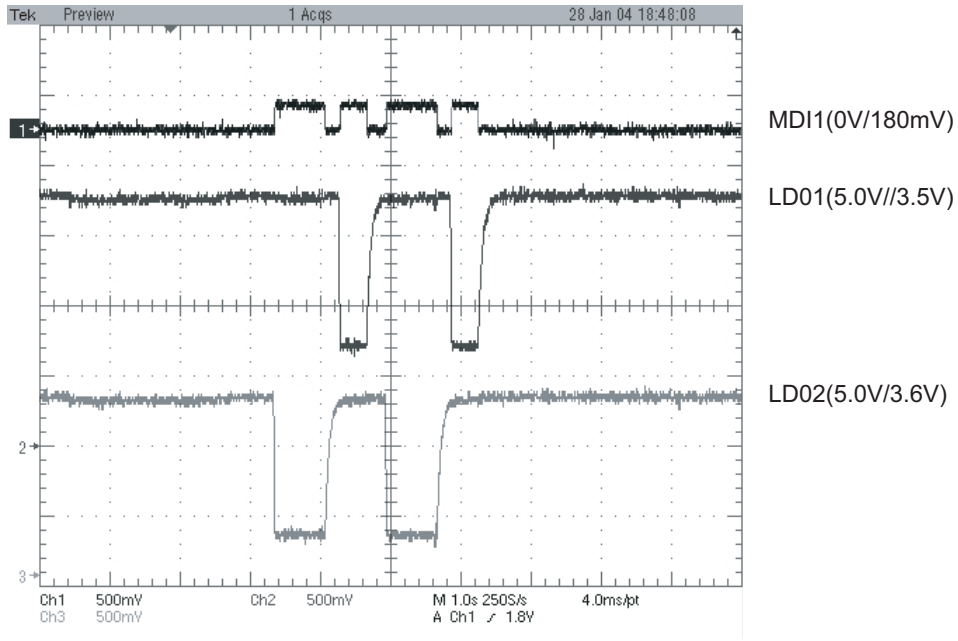


FIG 6-1

5.4.7 DISC TYPE JUDGEMENT WAVEFORM

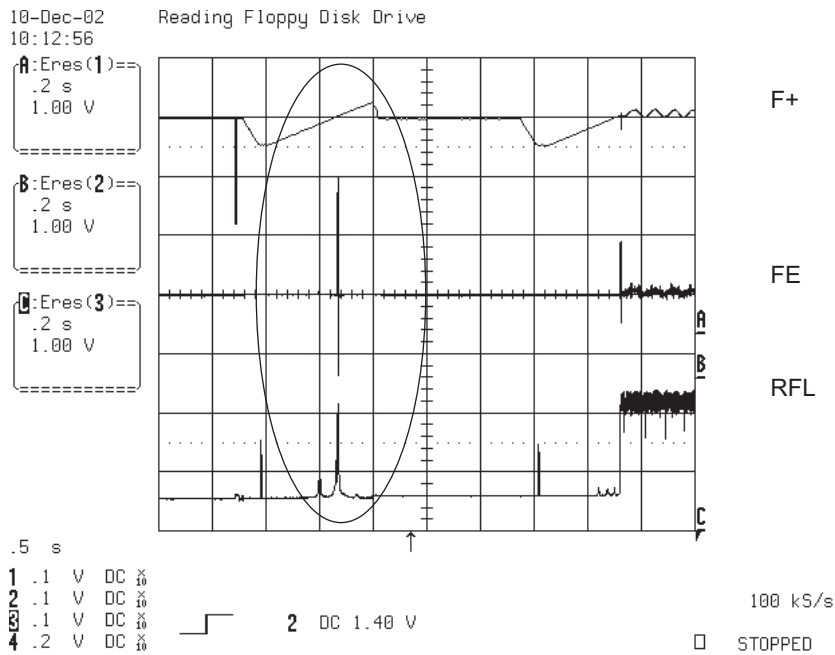


FIG 7-1 (DVD)

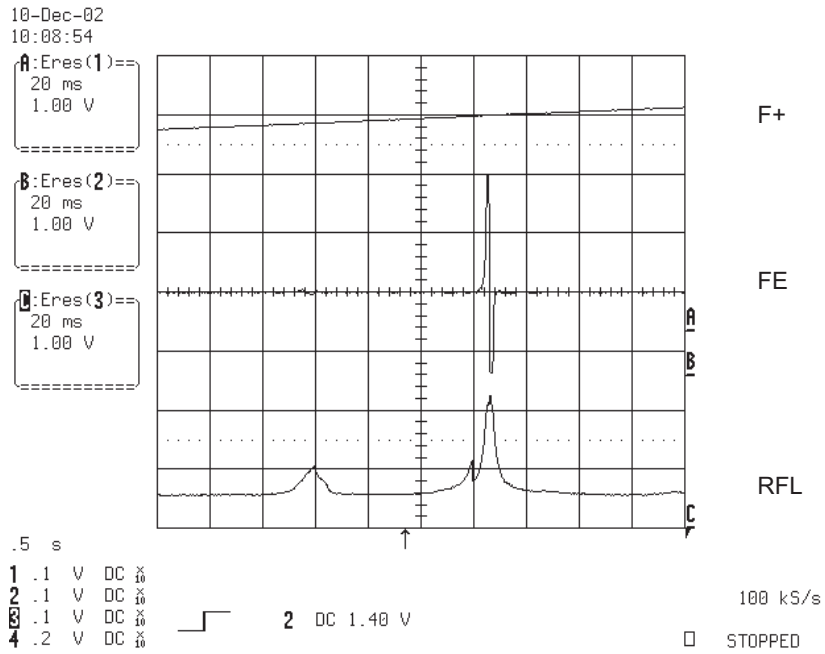


FIG 7-2 (DVD)

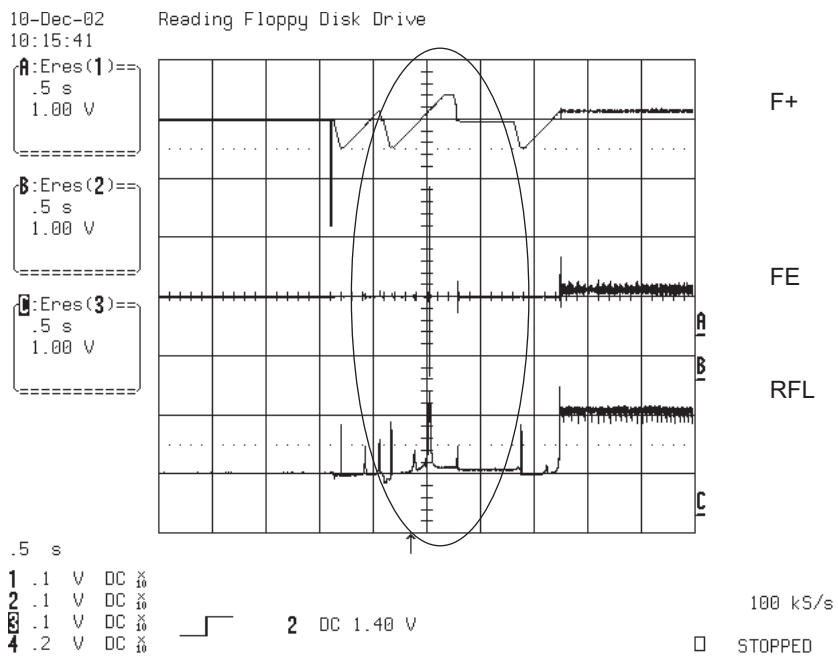


FIG 7-3 (CD)

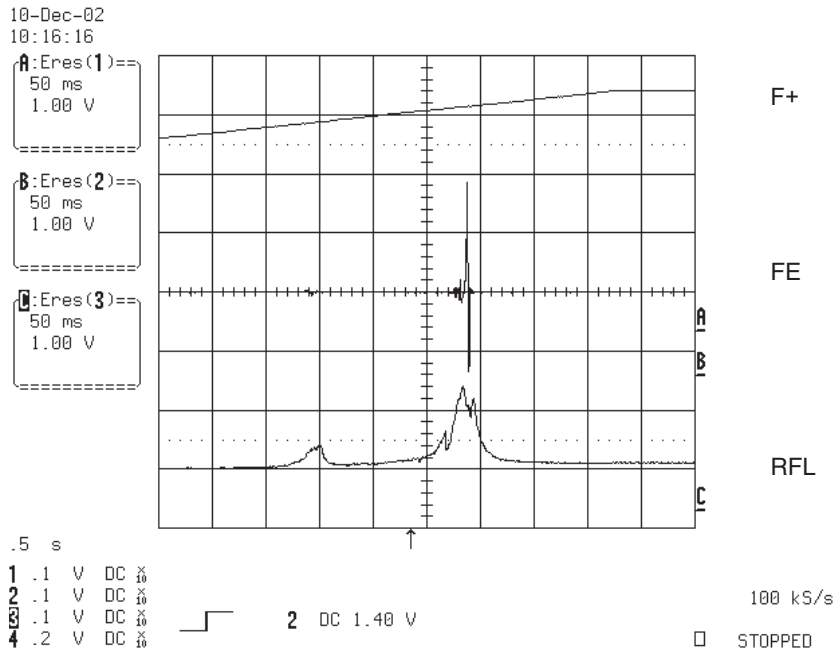


FIG 7-4 (CD)

5.4.8 FOCUS ON WAVEFORM

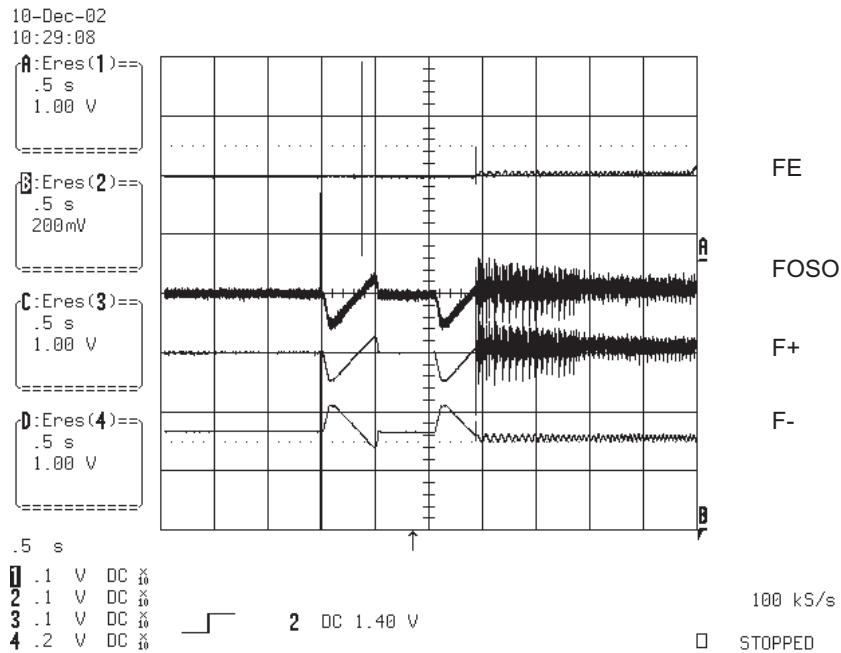


FIG 8-1 (DVD)

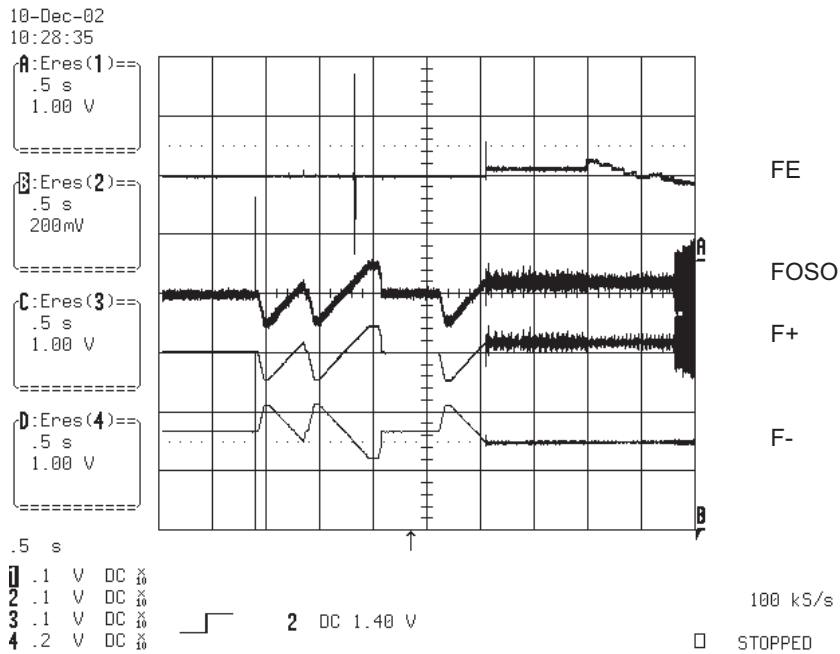


FIG 8-2 (CD)

5.4.9 SPINDLE CONTROL WAVEFORM (NO DISC CONDITION)

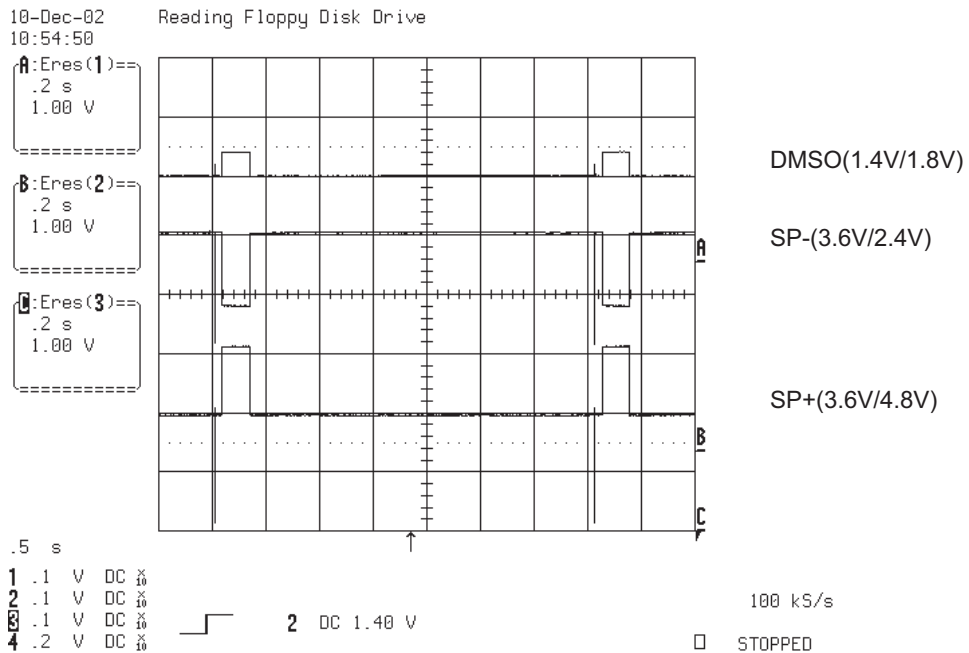


FIG 9-1

5.4.10 TRACKING CONTROL RELATED SIGNAL(System checking)

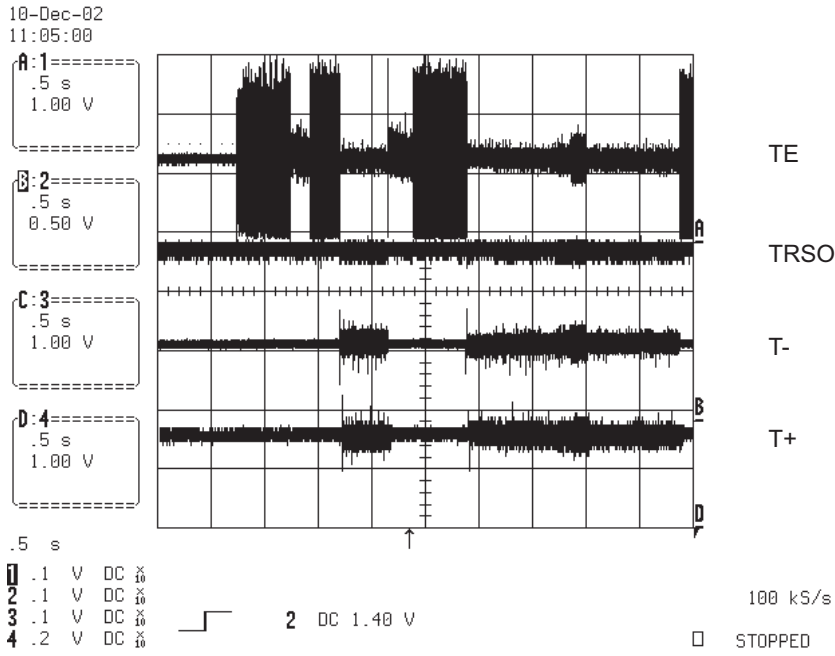


FIG 10-1(DVD)

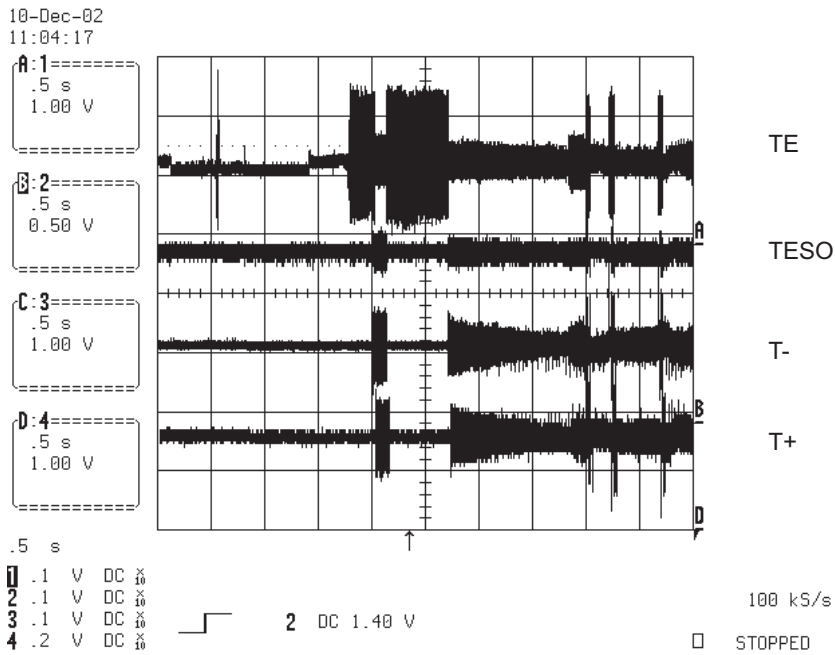


FIG 10-2(CD)

5.4.11 MT1389 AUDIO OPTICAL AND COAXIAL OUTPUT(SPDIF)

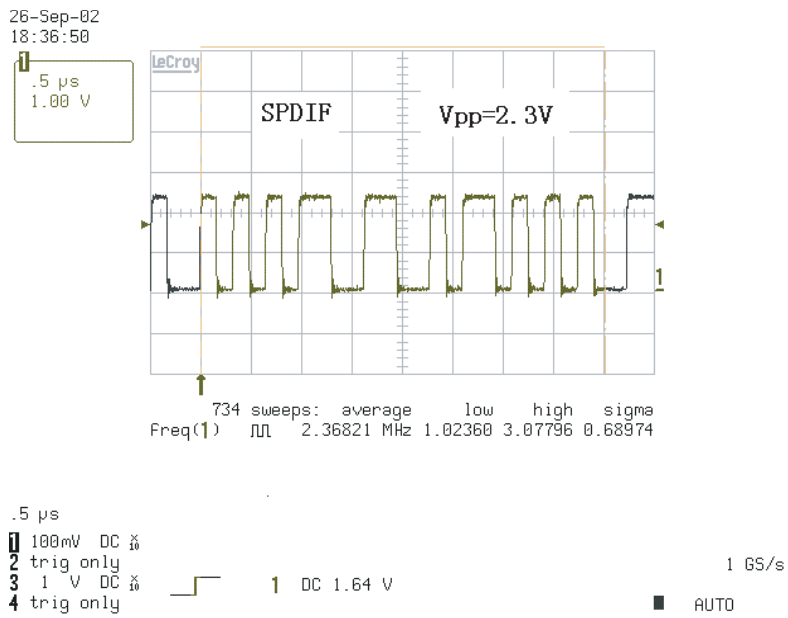


FIG 11-1

5.4.12 MT1389 VIDEO OUTPUT WAVEFORM

1) 100%

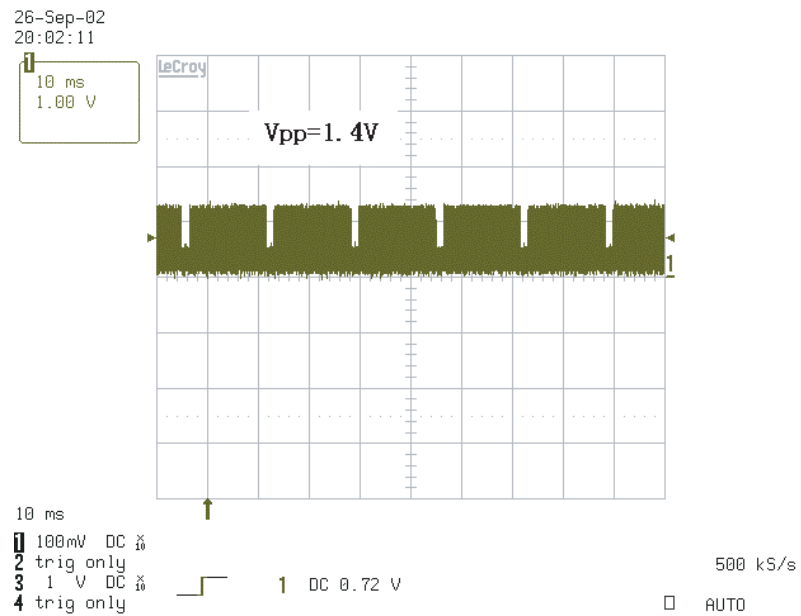


FIG 12-1

2) COMPOSITE VIDEO SIGNAL

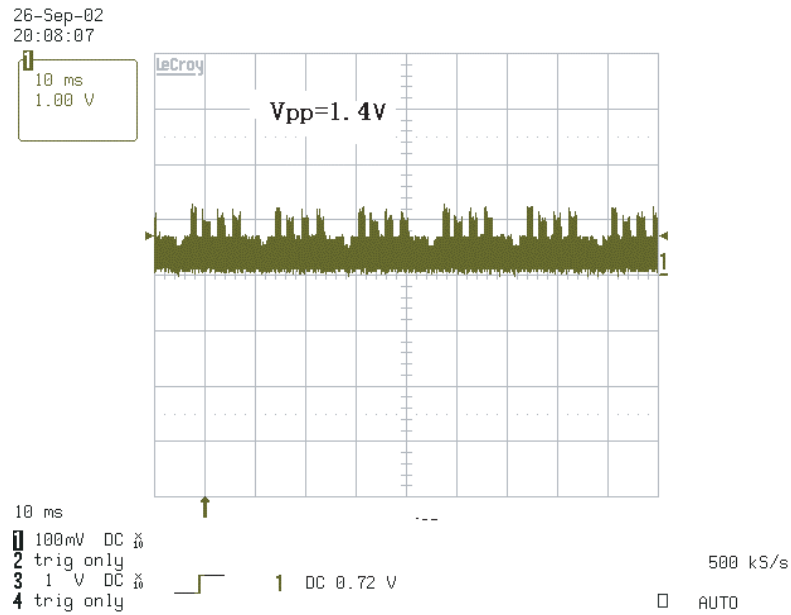


FIG 12-2

5.4.13 MT1389 AUDIO OUTPUT TO AUDIO DAC

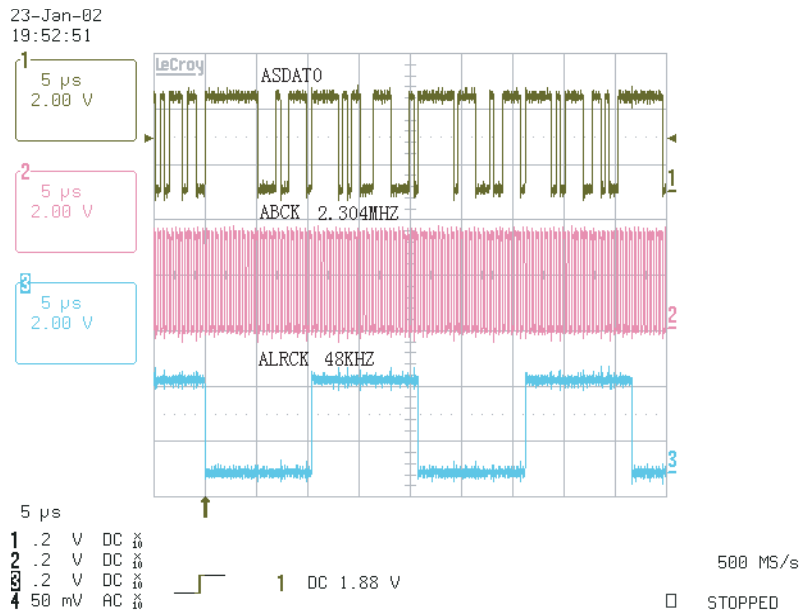


FIG 13-1

5.4.14 AUDIO OUTPUT FROM AUDIO DAC

23-Jan-02
20:03:39

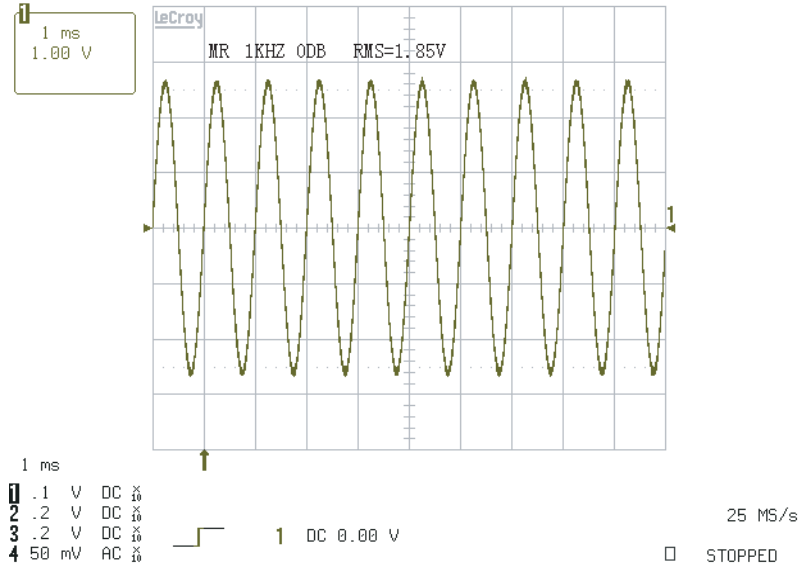


FIG 14-1



JVC

Victor Company of Japan, Limited

AV & MULTIMEDIA COMPANY DIGITAL VIDEO STORAGE CATEGORY 12, 3-chome, Moriya-cho, kanagawa-ku, Yokohama, kanagawa-prefecture, 221-8528, Japan

(No.YD070)



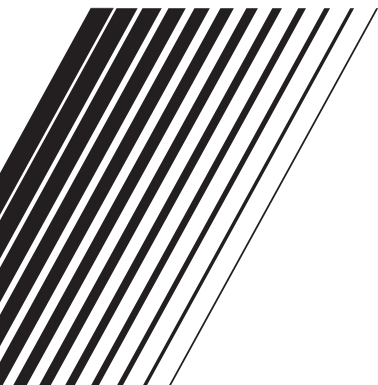
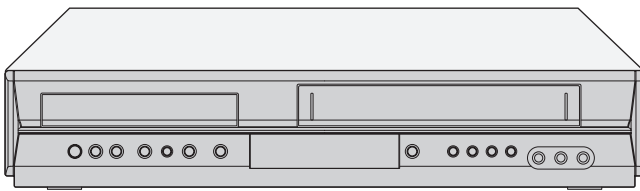
Printed in Japan
VPT

JVC



DVD PLAYER & VIDEO CASSETTE RECORDER

HR-XV45SEK



INSTRUCTIONS

EN



CAUTION
RISK OF ELECTRIC SHOCK
DO NOT OPEN



CAUTION: TO REDUCE THE RISK OF ELECTRIC SHOCK DO NOT REMOVE COVER (OR BACK) NO USER-SERVICEABLE PARTS INSIDE REFER SERVICING TO QUALIFIED SERVICE PERSONNEL.



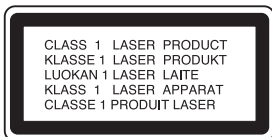
This lightning flash with arrowhead symbol within an equilateral triangle is intended to alert the user to the presence of uninsulated dangerous voltage within the product's enclosure that may be of sufficient magnitude to constitute a risk of electric shock to persons.



The exclamation mark within an equilateral triangle is intended to alert the user to the presence of important operating and maintenance (servicing) instructions in the literature accompanying the product.

WARNING: TO REDUCE THE RISK OF FIRE OR ELECTRIC SHOCK, DO NOT EXPOSE THIS PRODUCT TO RAIN OR MOISTURE.

WARNING: Do not install this equipment in a confined space such as a book case or similar unit.



CAUTION:

This Digital Video Disc Player employs a Laser System. To ensure proper use of this product, please read this owner's manual carefully and retain for future reference, should the unit require maintenance, contact an authorized service location-see service procedure. Use of controls, adjustments or the performance of procedures other than those specified herein may result in hazardous radiation exposure. To prevent direct exposure to laser beam, do not try to open the enclosure. Visible laser radiation when open. **DO NOT STARE INTO BEAM.**

CAUTION: VISIBLE AND INVISIBLE LASER RADIATION WHEN OPEN AND INTERLOCKS DEFEATED.

CAUTION: The apparatus shall not be exposed to water, dripping or splashing and that no objects filled with liquids, such as vases, shall be placed on the apparatus.

CE This product is manufactured to comply with the radio interference requirements of EEC DIRECTIVE 89/336/EEC, 93/68/EEC and 73/23/EEC.

VIDEO Plus+[®]

VIDEO Plus+ and PlusCode are registered trademarks of Gemstar Development Corporation. The VIDEO Plus+ system is manufactured under license from Gemstar Development Corporation.

Notes on copyrights:

It is forbidden by law to copy, broadcast, show, broadcast via cable, play in public, or rent copyright material without permission.

This product features the copy protection function developed by Macrovision. Copy protection signals are recorded on some discs.

This product incorporates copyright protection technology that is protected by method claims of certain U.S. patents and other intellectual property rights owned by Macrovision Corporation and other rights owners. Use of this copyright protection technology must be authorized by Macrovision Corporation, and is intended for home and other limited viewing uses only unless otherwise authorized by Macrovision Corporation. Reverse engineering or disassembly is prohibited.

SERIAL NUMBER: The serial number is found on the back of this unit. This number is unique to this unit and not available to others. You should record requested information here and retain this guide as a permanent record of your purchase.

Model No. _____

Serial No. _____


Important notes on controlling this unit

This unit uses one set of controls to operate both DVD and VCR. The following buttons are helpful in successfully controlling each part.

1. **POWER Button**
Press the POWER button on the remote control or front panel to turn on this unit.
2. **DVD Button**
Press DVD button on the remote control when you want to control the DVD.
The DVD indicator will light on the front panel display to show that the DVD is selected.
3. **VCR Button**
Press the VCR button on the remote control when you want to control the VCR.
The VCR indicator will light on the front panel display to show that the VCR is selected.
4. **DVD/VCR Button**
Press the DVD/VCR button on the front panel to toggle control between the DVD and the VCR.

Contents

Introduction 4

Symbol Used in this Manual	4
About the  Symbol Display	4
Notes on Discs	4
Handling Discs	4
Storing Discs	4
Cleaning Discs	4
Types of Playable Discs	5
Regional code	5
Disc-related terms	6
Front Panel	7
Display Window	7
Remote Control	8
Rear Panel	9

Installation and Setup 10

Connecting to a TV & Decoder (or Satellite)	10
Connecting to Optional Equipment	11
Before Operation-VCR part	12-16
Tuning in a video channel on your TV	12
Using your VCR for the very first time	12
Setting the clock Manually	13
To set the colour system	13
How to using the main menu	14
Tuning in TV Stations Automatically	14
Tuning in TV Stations Manually	15
Changing the order of TV Stations	16
Deleting TV stations	16
Before Operation-DVD part	17-21
On-Screen Display	17
Initial Settings	18-21
General Operation	18
LANGUAGE	18
• Menu Language	18
• Disc Audio / Subtitle / Menu	18
DISPLAY	19
• TV Aspect	19
• Display Mode	19
AUDIO	19
• Dolby Digital / DTS / MPEG	19
• Sample Freq. (Frequency)	19
• Dynamic Range Control (DRC)	19
• Vocal	19
OTHERS	20
• PBC	20
• Auto Play	20
• DivX(R) VOD	20
LOCK (Parental Control)	21
• Rating	21
• Password (Security Code)	21
• Area Code	21

Operation 22

Playing a tape	22-24
• CM (Commercial Message) Skip	22
• OPR (Optimum Picture Response)	22
Instant Timer Recording	23
VIDEO Plus+ Programming	24
Timer recording using On Screen Display	25-26

Playing a DVD or Video CD 27-29

General Features	27
Moving to another TITLE	27
Moving to another CHAPTER/TRACK	27
Search	27
Changing the Audio Channel	27
Still Picture and Frame-by-Frame Playback	28
Slow Motion	28
Random	28
Repeat A-B	28
Repeat	28
3D Surround	28
Time Search	28
Zoom	29
Marker Search	29

Special DVD Features 29

Title Menu	29
Disc Menu	29
Camera Angle	29
Changing the Audio Language	29
Subtitles	29

Playing an Audio CD or MP3 Disc 30

Audio CD and MP3 Disc Features 31

Pause	31
Moving to another Track	31
Repeat Track/All/Off	31
Search	31
Random	31
Repeat A-B	31
3D Surround	31

Programmed Playback 32

Repeat Programmed Tracks	32
Erasing a Track from Program List	32
Erasing the Complete Program List	32

Viewing a JPEG Disc 33

Slide Show	33
Still Picture	33
Moving to another File	33
Zoom	33
To rotate picture	33
To listen to MP3 music watching picture	33

Playing a DVD VR format Disc 34

Maintenance and Service 34

Playing a DivX Movie Disc 35

Additional Features-VCR part 36-37

On Screen Display	36
Tape Counter Memory Stop	36
Video Doctor (Self-Diagnosis)	36
Hi-Fi Stereo Sound System	37
Wide Screen Compatibility 16:9	37
To set the decoder	37

Additional Features 38

Last Scene Memory	38
Screen Saver	38

Copying from DVD To VCR 38

Recording from another video recorder 38

Reference 39

Language Codes	39
Country Codes	39
Troubleshooting	40
Specification	41
Precautions	42

Introduction

To ensure proper use of this product, please read this owner's manual carefully and retain for future reference.

This manual provides information on the operation and maintenance of your DVD player. Should the unit require service, contact an authorized service location.

Symbol Used in this Manual



The lightning flash symbol alerts you to the presence of dangerous voltage within the product enclosure that may constitute a risk of electric shock.



The exclamation point alerts you to the presence of important operating and maintenance / servicing instructions.



Indicates hazards likely to cause harm to the unit itself or other material damage.

Note:

Indicates special notes and operating features.


Tip:

Indicates tips and hints for making the task easier.

A section whose title has one of the following symbols is applicable only to the disc represented by the symbol.

- DVD** DVD and finalized DVD±R/RW
- VCD** Video CDs
- CD** Audio CDs
- MP3** MP3 Discs
- JPEG** JPEG Discs
- DivX** DivX Discs

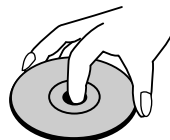
About the Symbol Display

"" may appear on your TV display during operation and indicates that the function explained in this owner's manual is not available on that specific DVD video disc.

Notes on Discs

Handling Discs

Do not touch the playback side of the disc. Hold the disc by the edges so that fingerprints do not get on the surface. Never stick paper or tape on the disc.

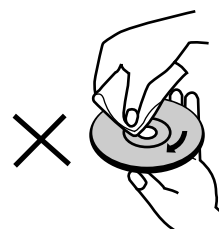
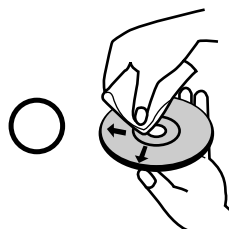


Storing Discs

After playing, store the disc in its case. Do not expose the disc to direct sunlight or sources of heat and never leave it in a parked car exposed to direct sunlight.

Cleaning Discs

Fingerprints and dust on the disc can cause poor picture quality and sound distortion. Before playing, clean the disc with a clean cloth. Wipe the disc from the center out.



Do not use strong solvents such as alcohol, benzene, thinner, commercially available cleaners, or anti-static spray intended for older vinyl records.

Selecting the Viewing Source





You must select one of your output sources (DVD or VCR) to view on the TV screen.

- **If you want to view DVD deck output source:**
Press DVD until DVD indicator in the display window lights and output source of DVD deck is viewed on the TV screen.
- **If you want to view VCR deck output source:**
Press VCR until VCR indicator in the display window lights and output source of VCR deck is viewed on the TV screen.

Notes:

- If you insert a disc while the DVD+VCR is in the VCR mode, the DVD+VCR will switch to DVD mode automatically.
- If you insert a cassette tape without prevention tab while the DVD+VCR is in the DVD mode, the DVD+VCR will switch to VCR mode automatically.

Types of Playable Discs

	DVD (8 cm / 12 cm disc)
 	Video CD (VCD) (8 cm / 12 cm disc)
	Audio CD (8 cm / 12 cm disc)

In addition, this unit plays DivX file, DVD -R, DVD +R, DVD -RW, DVD +RW, SVCD, and CD-R / CD-RW that contains audio titles, MP3 or JPEG files.



This indicates a product feature that is capable of playing DVD-RW discs recorded with Video Recording format.

Notes:

- Depending on the conditions of the recording equipment or the CD-R/RW (or DVD -R, DVD +R, DVD -RW, DVD +RW) disc itself, some CD-R/RW (or DVD -R, DVD +R, DVD -RW, DVD +RW) discs cannot be played on the unit.
- Do not attach any seal or label to either side (the labeled side or the recorded side) of a disc.
- Do not use irregularly shaped CDs (e.g., heart-shaped or octagonal) since they may result in malfunctions.

Notes on DVDs and Video CDs

Some playback operations of DVDs and Video CDs may be intentionally programmed by software manufacturers. This unit plays DVDs and Video CDs according to disc content designed by the software manufacturer, therefore some playback features may not be available or other functions may be added.

Manufactured under license from Dolby Laboratories. "Dolby", and the double-D symbol are trademarks of Dolby Laboratories.

DTS and DTS Digital Out are trademarks of Digital Theater Systems, Inc.

Regional code

This DVD player is designed and manufactured for playback of region "2" encoded DVD software. This unit can play only DVD discs labeled "2" or "ALL".



Notes on Regional Codes

- Most DVD discs have a globe with one or more numbers in it clearly visible on the cover. This number must match your DVD player's regional code or the disc cannot play.
- If you try to play a DVD with a different region code from your player, the message "Check Regional Code" appears on the TV screen.

Disc-related terms

DVD \pm R / DVD \pm RW

DVD -R and DVD +R are two different standards for recordable DVD drives and discs. This format allows information to be recorded onto the DVD disc only once. DVD +RW and DVD -RW are two standards for re-writable media, meaning the DVD content can be erased and re-recorded. Single-sided discs can hold 4.38 Gigabytes and double-sided discs hold twice as much. There are no dual layer single sided recordable discs.

VCD (Video CD)

A VCD holds up to 74 minutes (650 MB disc) or 80 minutes (700 MB disc) of MPEG-1 full-motion video along with quality stereo sound.

MPEG

MPEG is an international standard for video and audio compression. MPEG-1 is used in encoding video for VCD and provides for multichannel surround sound coding such as PCM, Dolby Digital, DTS and MPEG audio.

MP3

MP3 is a popular compression format used for digital audio files that yields very high near-CD quality.

JPEG

Joint Pictures Expert Group. JPEG is a compressed file format that allows you to save images with no limit on the number of colors.

DivX

DivX is the name of a revolutionary new video codec which is based on the new MPEG-4 compression standard for video. You will be able to play DivX movies using this DVD player.

PBC: Playback Control (Video CD only)

Playback control is available for Video CD (VCD) version 2.0 disc formats. PBC allows you to interact with the system via menus, search functions, or other typical computer-like operations. Moreover, still pictures of high resolution can be played if they are included in the disc. Video CDs not equipped with PBC (Version 1.1) operate in the same way as audio CDs.

Title (DVD video discs only)

A title is generally a distinct section of a DVD disc. For example the main feature could be title 1, a documentary describing how the film was made could be title 2, and cast interviews could be title 3. Each title is assigned a reference number enabling you to locate it easily.

Chapter (DVD video discs only)

A chapter is a segment of a title such as a scene in a film or one interview in a series. Each chapter is assigned a chapter number, enabling you to locate the chapter you want. Depending on the disc, chapters may not be recorded.

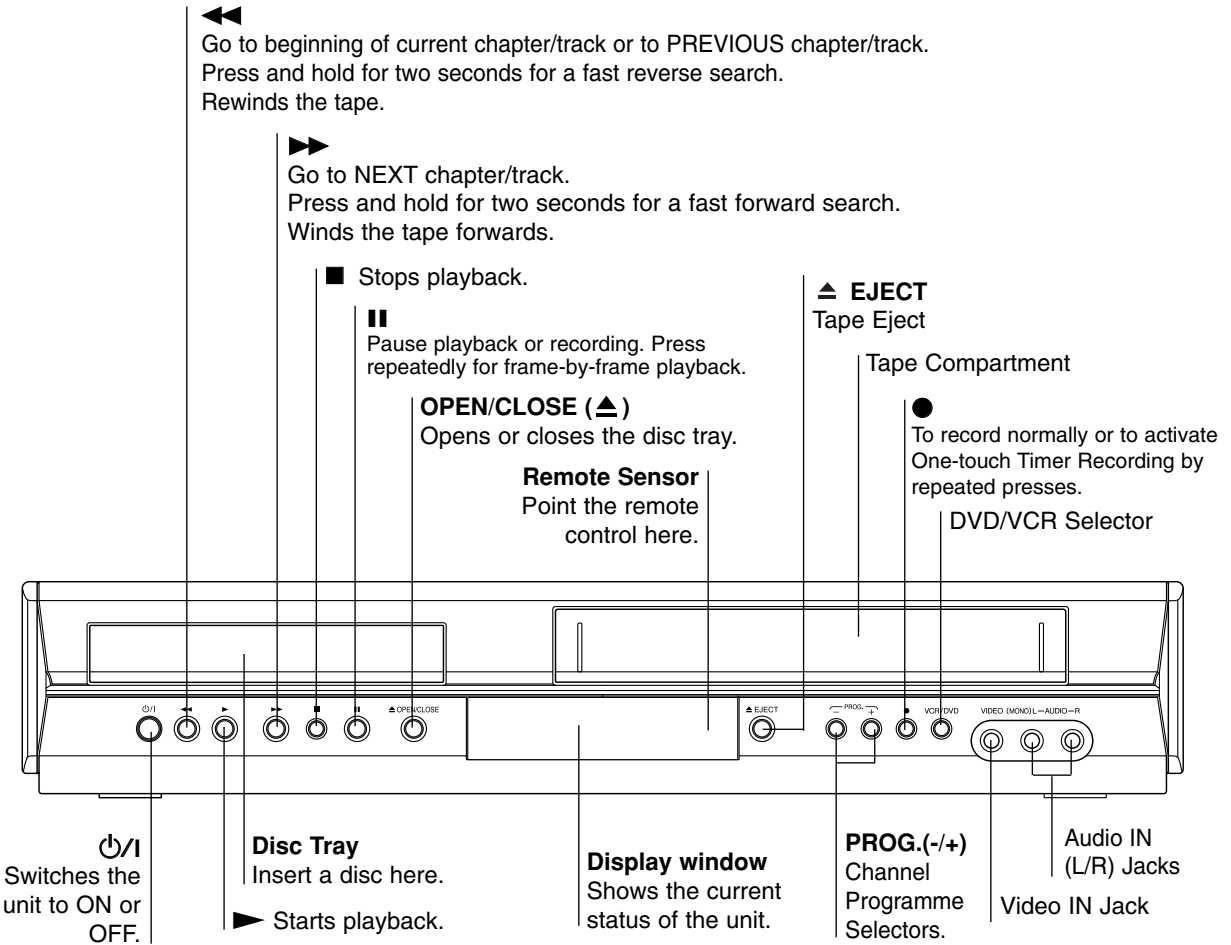
Scene (VCD)

On a video CD with PBC (playback control) functions, moving pictures and still pictures are divided into sections called "scenes". Each scene is displayed in the menu screen and assigned a scene number, enabling you to locate the scene you want. A scene is composed of one or several tracks.

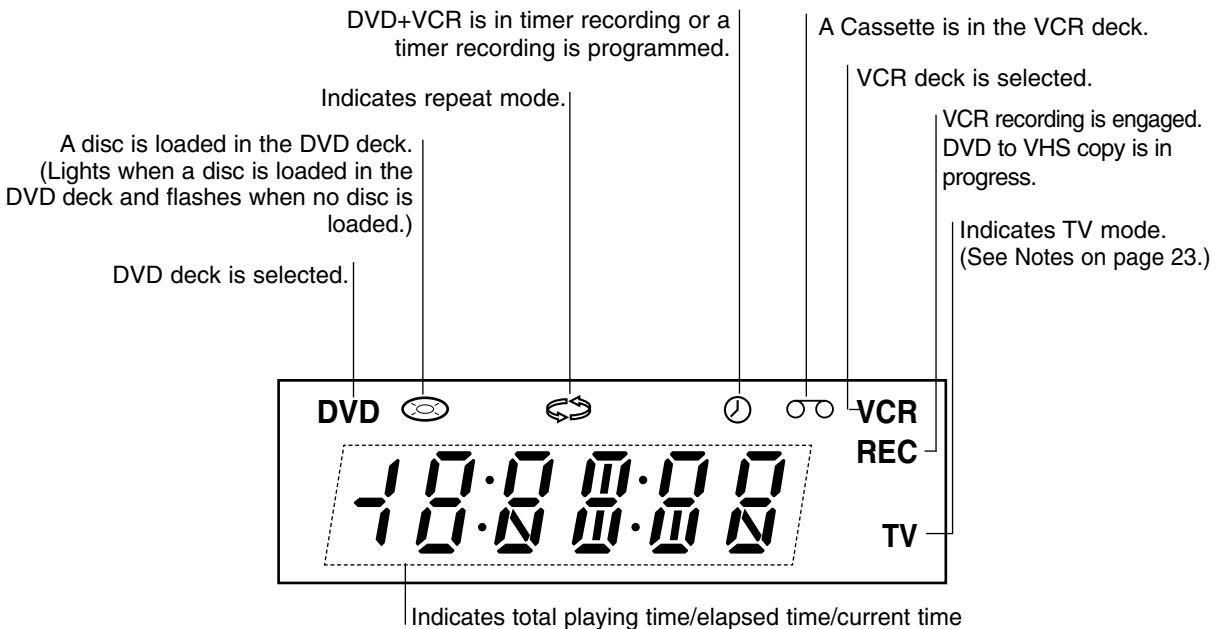
Track

A distinct element of audiovisual information, such as the picture or sound track for a specific language (DVD), or a musical piece on a video or audio CD. Each track is assigned a track number, enabling you to locate the track you want. DVD discs allow one track of video (with multiple angles) and several tracks of audio.

Front Panel

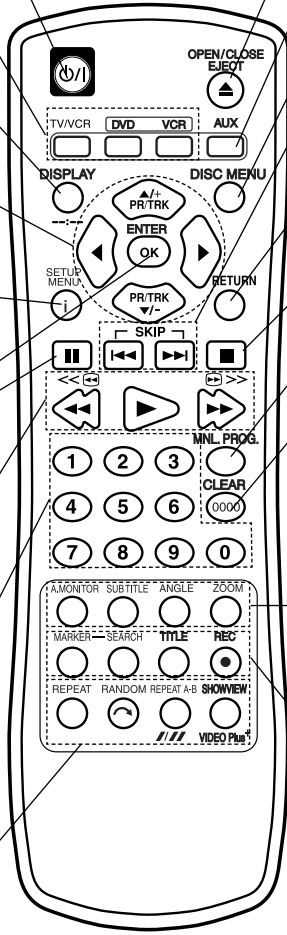


Display Window



Remote Control

- ⏻/⏷**
Switches DVD+VCR ON and OFF.
- TV/VCR ●**
To view channels selected by the VCR tuner or by the TV tuner.
- DVD ●**
Select the DVD+VCR function mode to DVD.
- VCR ●**
Select the DVD+VCR function mode to VCR.
- DISPLAY**
- - - -
- Accesses On-Screen Display (DVD).
- Shows you the current time or counter (VCR).
- ◀/▶/▲/▼**
- Selects menu options.
- PR/TRK (+/-): Selects VCR channels. Adjusts manually the tape's picture on the screen.
- SETUP/MENU (i)**
Accesses or removes DVD Setup menu and VCR menu.
- ENTER/OK**
Confirms menu selections. Displays functions on the TV screen.
- ⏸**
- Pause playback or recording.
- Press repeatedly for frame-by-frame playback.
- ◀◀ (◀) (◀◀) ●**
- For fast reverse picture search.
- Rewinds the tape during the STOP mode.
- ▶▶ (▶) (▶▶) ●**
Starts playback.
- For fast forward picture search.
- Advances the tape during the STOP mode.
- 0-9 numerical buttons**
Selects numbered options in a menu.
- REPEAT ●**
Repeat chapter, track, title or all.
- RANDOM (◡) ●**
- Plays tracks in random order.
- CM SKIP
- REPEAT A-B ●**
Repeats sequence between two points (A and B)
- /// ●**
Selects recording speed.
- VIDEO Plus+ ●**
To display the programme menu for VIDEO Plus+ programming.



- OPEN/CLOSE, EJECT (▲)**
- Ejects the tape in the VCR deck.
- Opens and closes the disc tray.
- AUX**
Select input source for recording into tape.
- DISC MENU**
Accesses menu on a DVD disc.
- SKIP (◀◀ / ▶▶)**
Skip to beginning of current chapter or track, press twice in quick successions to go to previous chapter or track.
Skip to next chapter or track.
- RETURN**
- Removes the setup menu.
- Displays the menu of a video CD with PBC.
- Stops playback or recording.
- MNL. PROG.**
Places a track on the program list.
- CLEAR (0000)**
Removes a track number on the program menu or a mark on the MARKER SEARCH menu.
- A.MONITOR**
Selects an audio language (DVD) or an audio channel (VCD).
- SUBTITLE**
Selects a subtitle language.
- ANGLE**
Selects a DVD camera angle, if available.
- ZOOM**
Enlarges DVD video image.
- MARKER**
Marks any point during playback.
- SEARCH**
Displays Marker Search menu.
- TITLE**
Displays the disc's Title menu, if available.
- REC (●)**
Records normally or activates One touch Timer Recording with repeated presses.

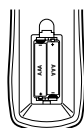
Remote Control Operation

Point the remote control at the remote sensor and press the buttons.



Do not mix old and new batteries and never mix different types of batteries such as standard, alkaline, etc.

Remote control battery installation



Detach the battery cover on the rear of the remote control, and insert two batteries (size AAA) with + and - aligned correctly.

Rear Panel

AERIAL

Connect the aerial using this jack.

DVD/VCR OUT (VIDEO/AUDIO (Left/Right))

Connect to a TV with video and audio inputs.

AUDIO OUT (Left/Right) (DVD EXCLUSIVE OUT)

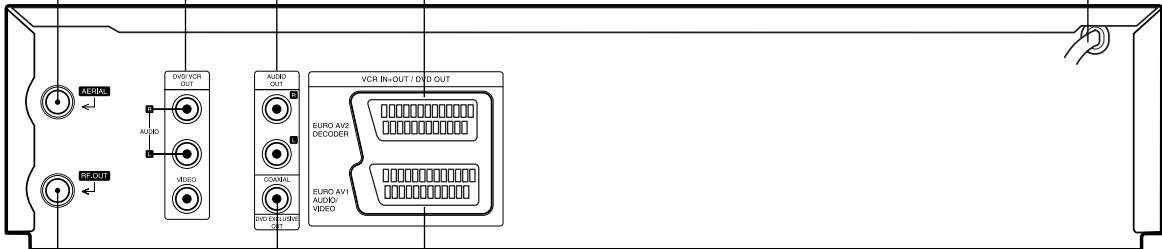
Connect to an amplifier, receiver or stereo system.

EURO AV2 DECODER (VCR IN+OUT/DVD OUT)

Connect to pay-TV decoder, Set Top Box or another video recorder.

AC Power Cord

Connect to a power source.



EURO AV1 AUDIO/VIDEO (VCR IN+OUT/DVD OUT)

Connect to your TV set or another video recorder.

COAXIAL (DVD EXCLUSIVE OUT)

(Digital audio out jack)

Connect to digital (coaxial) audio equipment.

RF.OUT

Connect to your TV using this jack.



Do not touch the inner pins of the jacks on the rear panel. Electrostatic discharge may cause permanent damage to the unit.

Installation and Setup

Tips:

- Depending on your TV and other equipment there are various ways you can connect the player.
- Please refer to the manuals of your TV, VCR, stereo system or other devices as necessary for additional connection information.

Notes:

- The picture and sound of a nearby TV, VCR, or radio may be distorted during playback. Position the units away from each other or turn off the unit after removing the disc.
- Make sure the DVD+VCR is connected directly to the TV and tune the TV to the correct video input channel.
- Do not connect the DVD+VCR's AUDIO OUT jack to the phono in jack (record deck) of your audio system. Do not connect the DVD+VCR via another VCR. The DVD image could be distorted by the copy protection system.

Connecting to a TV & Decoder (or Satellite)

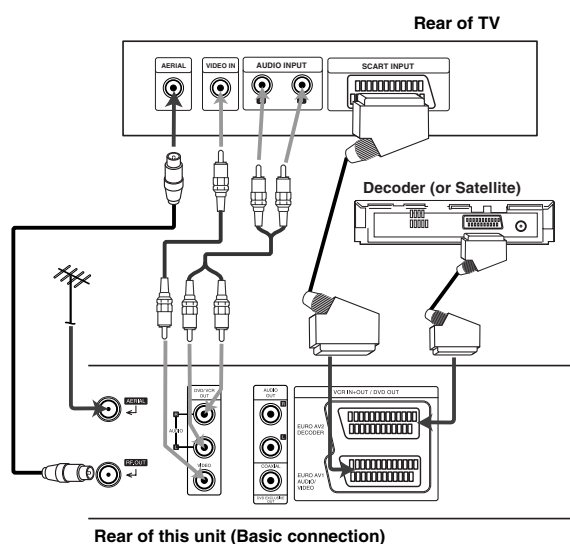
Make one of the following connections, depending on the capabilities of your existing equipment.

Basic connection (AV)

1. Connect the **EURO AV1 AUDIO/VIDEO** on the rear panel of this unit to the SCART input socket on the TV using a SCART lead (not supplied). For TV without SCART, connect the yellow VIDEO OUT jack and DVD/VCR AUDIO OUT jacks of this unit to the TV.
2. Some TV broadcasters transmit encoded television signals which you can only see with a purchased or rented decoder. You can connect such a decoder (descrambler) to this unit.

Basic connection (RF)

1. Connect the RF antenna cable from your indoor/outdoor antenna to **AERIAL** jack on the rear panel of this unit.
2. Connect the supplied RF antenna cable from the **RF. OUT** jack on the rear panel of this unit to your television's Antenna Input.



Connecting to Optional Equipment

Connecting to an amplifier equipped with two channel analog stereo or Dolby Pro Logic II/Pro Logic

Connect the Left and Right AUDIO OUT jacks on this unit to the audio left and right in jacks on your amplifier, receiver or stereo system, using the audio cables.

Connecting to an amplifier equipped with two channel digital stereo (PCM) or to an Audio/Video receiver equipped with a multi-channel decoder (Dolby Digital™, MPEG 2 or DTS)

1. Connect this unit's DIGITAL AUDIO OUT jack (COAXIAL) to the corresponding in jack on your amplifier. Use an optional digital (coaxial) audio cable.
2. You will need to activate this unit's digital output. (See "AUDIO" on page 19).

Digital Multi-channel sound

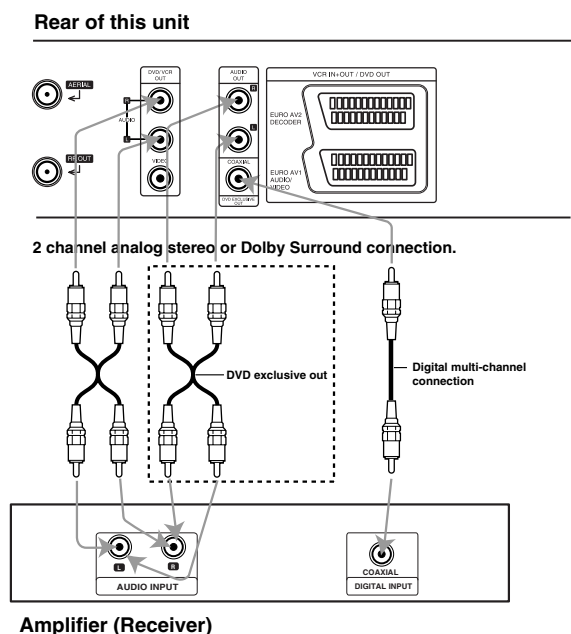
A digital multi-channel connection provides the best sound quality. For this you need a multi-channel Audio/Video receiver that supports one or more of the audio formats supported by your unit (MPEG 2, Dolby Digital and DTS). Check the receiver manual and the logos on the front of the receiver.

Warning:

Due to the DTS Licensing agreement, the digital output will be in DTS digital out when DTS audio stream is selected.

Notes:

- If the audio format of the digital output does not match the capabilities of your receiver, the receiver will produce a strong, distorted sound or no sound at all.
- To see the audio format of the current DVD in the On-Screen Display, press **A.MONITOR**.



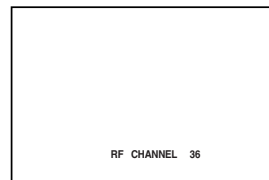
Before Operation-VCR part

Tuning in a video channel on your TV

Notes:

- The output frequency of this DVD+VCR is set at UHF channel 36. If channel 36 is already used by another TV station, or if the picture is distorted, you can change the transmitter channel of your DVD+VCR. Stages 5 ~ 8 will show you how to change the output frequency of your DVD+VCR.
- Your TV receives signals from the DVD+VCR like another TV station. You have to select a channel number on your TV and tune it in so that you may watch video tapes. If you have used a SCART then your TV should already have a dedicated video channel built into it, usually called AV.

1. Make sure that you have correctly installed your DVD+VCR as described earlier in this book. Press **ON/OFF** to turn on your DVD+VCR. Turn on your TV.
2. Insert a pre-recorded video tape into your DVD+VCR and press **▶** on the remote control. Select a TV channel which you wish to watch video.
Don't worry if you don't have a video-tape to play at this stage! If you switch your DVD+VCR on and continue stages **3 ~ 4**, instead of seeing video playback tune your TV until you see a bright blue screen.
3. Tune this channel until the video picture is sharp and the sound is clear.
If you have used a SCART or AUDIO and VIDEO cables you will not have to tune your TV, simply select the AV channel. The AV channel is already pre-tuned for optimum video playback on your TV.
4. Store this channel on your TV.
You will need to look at the TV instruction book if you do not know how to do this.
5. **Only carry out stages 5 ~ 8 if you cannot obtain clear video playback as described in stages 1 ~ 4.**
Select a TV channel which you wish to watch video.
Make sure that your DVD+VCR is in standby pressing **ON/OFF** on the remote control (only the clock will be displayed).
6. Press **PROG. (-/+)** on the front of your DVD+VCR for more than 4 seconds.
RF36 will appear in the display window.
The following picture will be displayed on the TV screen.



7. Use **PROG. (-/+)** to select another video channel. You may select any channel number between 22 and 68.

8. Select a TV channel which you wish to watch video.

Press **ON/OFF** on the front of your DVD+VCR when you have finished.

Tune this channel so that a bright blue screen appears.

Store this channel on your TV.

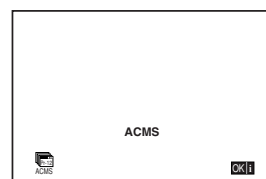
Notes:

Make sure that you have correctly installed your DVD+VCR and successfully tuned in a dedicated video channel on your TV. If you do not tune in a dedicated video channel on your TV you will be unable to view and record video tapes!

Using your VCR for the very first time

Following picture will display on the TV screen when you have just connected your video recorder for the very first time.

To make tuning TV stations, please follow stages 3 to 4 as shown "ACMS" (see p.14).

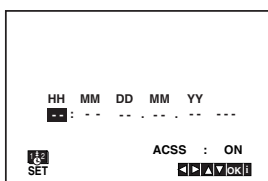


Setting the clock Manually

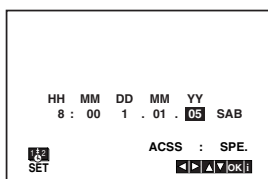
The clock in your VCR controls time and date settings for your VCR.

The clock is set automatically during **ACMS** (Automatic Channel Memory System) when your VCR detects a channel that broadcasts a Teletext signal. If the broadcast signal is weak the clock will not be set and will require setting manually.

1. Press **i**.
Press **◀** or **▶** to select **SET**.
Press **OK**.
The ACSS mode can be set to "OFF" by pressing **OK** if you want to set the time manually.



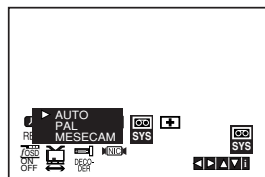
2. Use the **▲** or **▼** on the remote control to alter the **HOURS, MINUTES, DAY, MONTH** and **YEAR**. Please note your VCR uses a 24 hour clock. e.g. 1pm will be displayed as 13:00. The day of the week will appear automatically when you enter the year.
3. If you make a mistake press **◀** or **▶** and enter the correct details.



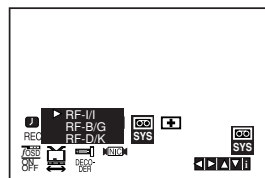
4. Press **i** to return to a TV picture.

To set the colour system

1. Press **i**.
2. The main menu will appear on the TV screen.
3. Press **◀** or **▶** to select the **SYS** and press **OK**.
4. Press **▲** or **▼** to select according to the **COLOUR** system used.



5. Press **◀** or **▶** to select the **RF AUDIO**. Press **▲** or **▼** to select according to the **RF AUDIO** used.

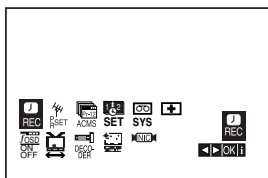


6. Press **i** to remove the menus from the TV screen.

How to using the main menu

This DVD+VCR can easily be programmed by using the menus displayed on screen. The menus are controlled from the Remote Control Handset.

1. Switch on your TV set and video recorder by pressing the **⏻/I** button.
2. Press **i** button.
The main menu will appear on the TV screen.



- **REC** - Timer recording setting (see p. 25).
- **PR SET** - Manual tuning setting (see p. 15).
- **ACMS** - ACMS (Automatic Channel Memory System) (see p. 14).
- **SET** - Date & clock setting (see p. 13).
- **SYS** - To set the Colour TV System (see p. 13).
- **⊠ (Dr.)** - To check a problem with your VCR (see p. 36).
- **F.OSD ON/OFF** - To display the operational mode of your VCR (see p. 36).
- **16:9/4:3** - To select the aspect ratio of your TV (see p. 37).
- **DECODER** - To use a pay-TV decoder (or Satellite) with your VCR (see p. 37).
- **OPR** - To improve the playback picture (see p. 22).
- **NIC** - To activate or deactivate the NICAM digital sound (see p. 37).

Tip:

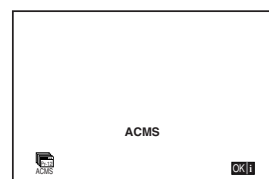
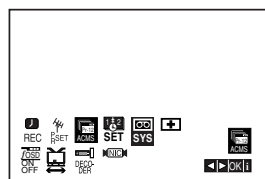
You can change the menu language on the DVD setup menu. (See the Menu Language on page 18.)

3. Press **◀** and **▶** to select the desired menu. Press **OK** and press **▲** or **▼** to select.
4. Press **i** to remove the menus from the TV screen.

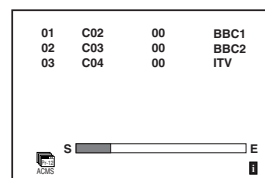
Tuning in TV Stations Automatically

If the TV broadcast signal is weak your VCR may not detect the necessary information and will not be able to store them correctly. To overcome this problem please turn to the **MANUAL TUNING** section on page 15.

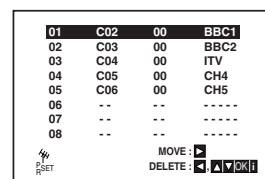
1. Press **⏻/I** to turn on your DVD+VCR.
2. Press **i** button.
The main menu will appear on the TV screen. Press **◀** or **▶** to select the **ACMS**. Press **OK**.



4. Press **OK** to again to start the automatic tuning process.



5. The **TV STATION TABLE** will appear when tuning is completed. Press **i** to save your settings.



Notes:

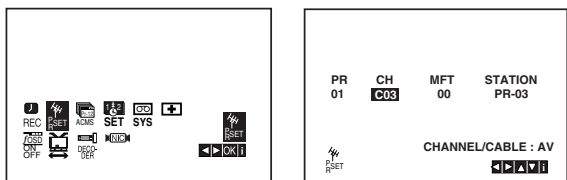
Please note currently only a limited number of TV companies transmit the **Programme Delivery Control (PDC)** signal which enables your DVD+VCR to successfully identify and store them. If your DVD+VCR has difficulty in identifying a TV station please turn the page to find out how to manually tune in and name a TV station. While automatic tuning is taking place the time and date will set automatically. If **- - -** appears in the DVD+VCR display it means that the broadcast signal is weak and the clock was not set. Please turn to **CLOCK SET** section of this book on page 13.

Tuning in TV Stations Manually

In certain areas of the country broadcast signals may be too weak for your DVD+VCR's automatic tuning process to find or assign TV stations correctly.

You must tune in these weaker broadcast stations manually in order for your DVD+VCR to store them.

- Press **i**.
The main menu will appear on the TV screen.
Press **◀** or **▶** to select the **PR SET**.
Press **OK**.

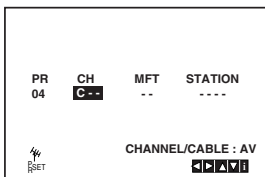


- Press **i**.
The station table will appear.
- Press **▲** or **▼** to select the programme number that you want to tune (for example, PR 04).

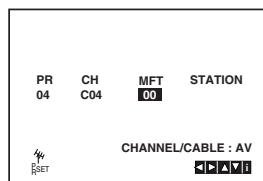
01	C01	00	PR-01
02	C02	00	PR-02
03	C03	00	PR-03
04	--	--	----
05	--	--	----
06	--	--	----
07	--	--	----
08	--	--	----

MOVE: **▶**
DELETE: **◀** **OK**

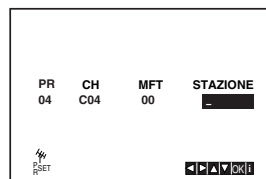
- Press **OK**.
Press **AUX** to select **C** (Standard stations) or **S** (Cable stations):
C02 - C69, S01 - S41.
Enter the channel number of station that you want to tune, use **▲** or **▼** to find the required station.



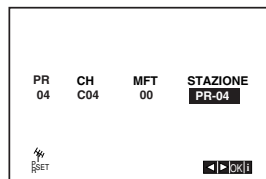
- Searching will stop when it locates a stations.
Press **▶** to select **MFT**.
Control the fine tuning of the station by using **▲** or **▼**.



- Press **▶** to select **STATION** so that you may name your TV station.
Press **OK**.
- Use **▲** or **▼** to select **letters** and **numbers** for the station name.
Use **◀** or **▶** to move back and forth between characters.
Press **OK**.



- Press **i**, confirm the station placement.



If you wish to manually tune other stations repeat stages **3 - 8**.

01	C01	00	PR-01
02	C02	00	PR-02
03	C03	00	PR-03
04	C04	00	PR-04
05	--	--	----
06	--	--	----
07	--	--	----
08	--	--	----

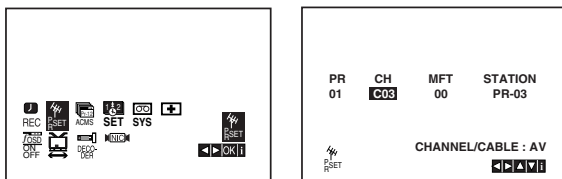
SPOSTA: **▶**
CANCELLA: **◀** **OK**

- Press **i** again.
Your new TV station has now been tuned into your DVD+VCR.

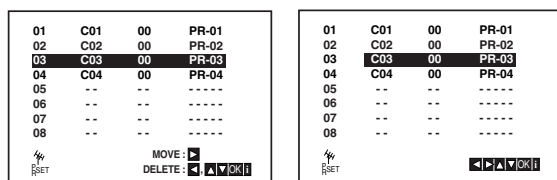
Changing the order of TV Stations

After tuning TV stations into your VCR you may wish to change the order in which they are stored without having to retune them against! The instructions given on this page will show you how you can simply move them into your desired order.

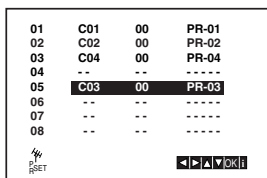
1. Press **i**.
The main menu will appear on the TV screen.
Press **◀** or **▶** to select the **PR SET**.
Press **OK**.



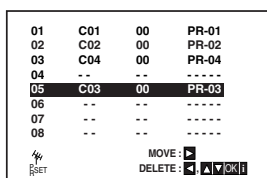
2. Press **i**.
Press **▲** or **▼** to select the **programme number** you want to move (for example, PR 03).
Press **▶**.



3. Press **▲** or **▼** to select the **programme number** you want to move to (for example, PR 05).



4. Press **OK**.
The selected **programme** will be moved to the **new programme number**.
If you wish to move other TV stations repeat stages 1 - 4.

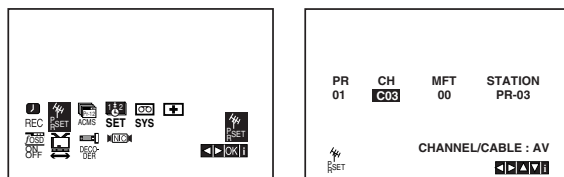


5. Press **i** to remove the menus from the TV screen.

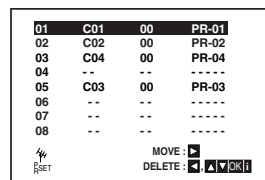
Deleting TV Stations

After tuning TV stations into your VCR you may wish to delete a station. how you can easily delete any unwanted TV stations.

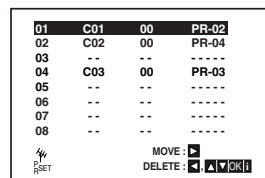
1. Press **i**.
The main menu will appear on the TV screen.
Press **◀** or **▶** to select the **PR SET**.
Press **OK**.



2. Press **i**.
3. Press **▲** or **▼** to select the **programme number** you want to delete. (for example, PR 01)



4. Press **◀**.
After a short while, the selected station will be deleted.
If you wish to delete other TV stations repeat stages 3 - 4.



5. Press **i** to remove the menus from the TV screen.

Before Operation-DVD part

On-Screen Display







You can display the general playback status on the TV screen. Some items can be changed using the menu. To use the on-screen display:

1. Press DISPLAY during playback.
2. Press ▲ / ▼ to select an item. The selected item is highlighted.
3. Press ◀ / ▶ to change the setting. You can also use the number buttons if appropriate (e.g. inputting the title number). For some functions, press ENTER to execute the setting.




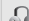



Notes:

- Some discs may not provide all of the features shown below.
- If no button is pressed for 10 seconds, the on-screen display disappears.





Playback Status/Restrictions

-  Title Repeat title
-  A - B Repeat sequence
-  1 / 9 Enter a Marker
-  MARKER SEARCH 1 2 3 4 5 6 7 8 9 Marker Search menu
-  Resume play from this point
-  Action prohibited or not available






Example: On-Screen Display during playing DVD Video

Items	Selection Method
Title Number  1 / 3	◀ / ▶, Numbers ENTER
Chapter Number  1 / 12	◀ / ▶, Numbers ENTER
Time search  0:20:09	Numbers, ENTER
Audio language and Digital Audio Output mode  1 ENG 3/2.1CH	◀ / ▶ or A.MONITOR
Subtitle language  1 ENG	◀ / ▶ or SUBTITLE
Angle  1 / 3	◀ / ▶ or ANGLE
Sound  3D SUR	◀ / ▶

Example: On-Screen Display during playing VCD

Items	Selection Method
Track Number (or PBC mode)  1 / 3	◀ / ▶, Numbers ENTER
Time search  0:20:09	Numbers ENTER
Audio Channel  STEREO	◀ / ▶ or A.MONITOR
Sound  3D SUR	◀ / ▶

Example: On-Screen Display during playing divx movie disc

Items	Selection Method
Track Number  1 / 3	◀ / ▶, Numbers ENTER
Time search  0:20:09	Numbers, ENTER
Audio language and Digital Audio Output mode  1 MP3 2/0 CH	◀ / ▶ or A.MONITOR
Subtitle language  1 ENG	◀ / ▶ or SUBTITLE
Sound  3D SUR	◀ / ▶

Initial Settings

By using the Setup menu, you can make various adjustments to items such as picture and sound. You can also set a language for the subtitles and the Setup menu, among other things. For details on each Setup menu item, see pages 18 to 21.

To display and exit the Menu:

Press SETUP MENU to display the menu. A second press of SETUP MENU will take you back to initial screen.

To go to the next level:

Press ► on the remote control.

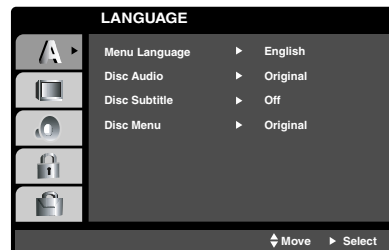
To go back to the previous level:

Press ◀ on the remote control.

General Operation

1. Press SETUP MENU. The Setup menu appears.
2. Use ▲ / ▼ to select the desired option then press ► to move to the second level. The screen shows the current setting for the selected item, as well as alternate setting(s).
3. Use ▲ / ▼ to select the second desired option then press ► to move to the third level.
4. Use ▲ / ▼ to select the desired setting then press ENTER to confirm your selection. Some items require additional steps.
5. Press SETUP MENU or ► to exit the Setup menu.

LANGUAGE



Menu Language

Select a language for the Setup menu and on-screen display.

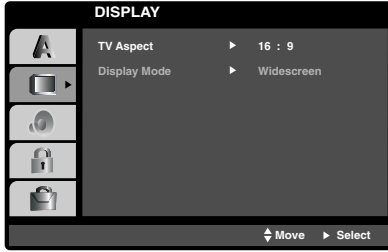
Disc Audio / Subtitle / Menu **DVD**

Select the language you prefer for the audio track (disc audio), subtitles, and the disc menu.

Original: Refers to the original language in which the disc was recorded.

Other: To select another language, press number buttons then ENTER to enter the corresponding 4-digit number according to the language code list in the reference chapter. If you enter the wrong language code, press CLEAR (0000).

DISPLAY



TV Aspect **DVD**

4:3 : Select when a standard 4:3 TV is connected.

16:9 : Select when a 16:9 wide TV is connected.

Display Mode **DVD**

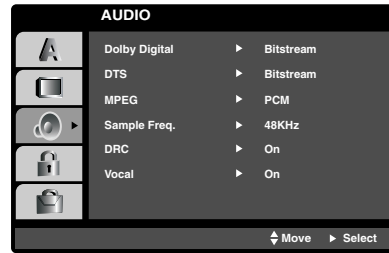
Display Mode setting works only when the TV Aspect mode is set to "4:3".

LetterBox: Displays a wide picture with bands on the upper and lower portions of the screen.

Panscan: Automatically displays the wide picture on the entire screen and cuts off the portions that do not fit.

AUDIO

Each DVD disc has a variety of audio output options. Set this unit AUDIO options according to the type of audio system you use.



Dolby Digital / DTS / MPEG **DVD** **DivX**

Bitstream: Select "Bitstream" if you connect the DVD Player's DIGITAL OUT jack to an amplifier or other equipment with a Dolby Digital, DTS or MPEG decoder.

PCM (for Dolby Digital / MPEG): Select when connected to a two-channel digital stereo amplifier. DVDs encoded in Dolby Digital or MPEG will be automatically downmixed to two-channel PCM audio.

Off (for DTS): If you select "Off", the DTS signal is not output through the DIGITAL OUT jack.

Sample Freq. (Frequency) **DVD**

If your receiver or amplifier is NOT capable of handling 96 kHz signals, select 48 kHz. When this choice is made, this unit automatically converts any 96 kHz signals to 48 kHz so your system can decode them.

If your receiver or amplifier is capable of handling 96 kHz signals, select 96 kHz. When this choice is made, this unit passes each type of signal through without any further processing.

Check the documentation for your amplifier to verify its capabilities.

Dynamic Range Control (DRC) **DVD** **DivX**

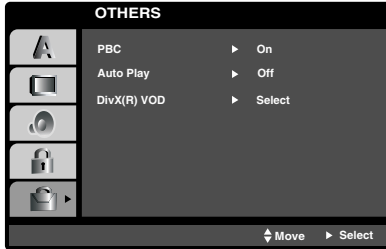
With the DVD format, you can hear a program's soundtrack in the most accurate and realistic presentation possible, thanks to digital audio technology. However, you may wish to compress the dynamic range of the audio output (the difference between the loudest sounds and the quietest ones). This allows you to listen to a movie at a lower volume without losing clarity of sound. Set DRC to On for this effect.

Vocal **DVD**

Set to On only when a multi-channel karaoke DVD is playing. The karaoke channels on the disc mix into normal stereo sound.

OTHERS

The PBC, Auto Play and DivX(R) VOD settings can be changed.



PBC **VCD**

Set Playback Control (PBC) to On or Off.

On: Video CDs with PBC are played according to the PBC.

Off: Video CDs with PBC are played the same way as Audio CDs.

Auto Play **DVD**

You can set up the DVD Player so a DVD disc automatically starts playing whenever the DVD is inserted. If Auto Play mode is set to On, this DVD player will search for title that has the longest playback time and then play back the title automatically.

On: Auto Play function is active.

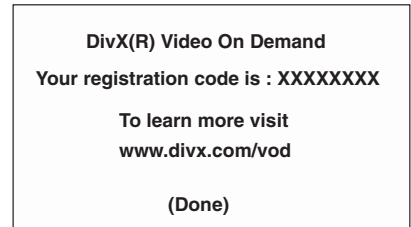
Off: Auto Play function is not active.

Notes:

The Auto Play function may not work for some DVDs.

DivX(R) VOD **DivX**

You can display the DivX DRM (Digital Rights Management) Registration code for your unit only.

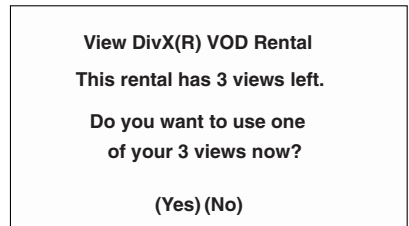


The Registration code is used for VOD (Video-On-Demand) service agent. You can purchase or rent an encrypt move file.

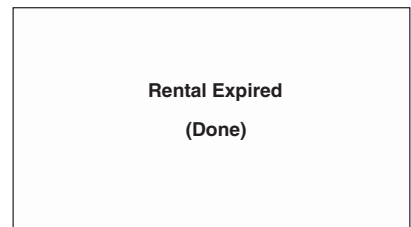
Notes:

If you rent the DivX VOD file, it has several options of viewing limits as shown below.

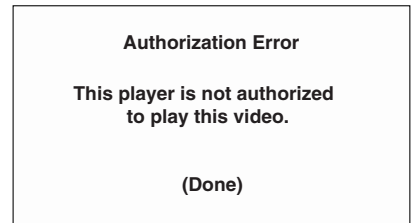
- Display the number which you can watch the file.



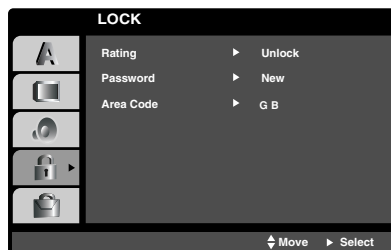
- The rental has been expired.



- Display the authorization error.



LOCK (Parental Control)



Rating **DVD**

Some movies contain scenes that may not be suitable for children to view. Many of these discs contain parental control information that applies to the complete disc or to certain scenes on the disc. Movies and scenes are rated from 1 to 8, depending on the country. Some discs offer more suitable scenes as an alternative.

The parental control feature allows you to block access to scenes below the rating you input, thereby preventing your children from being able to view material you believe is unsuitable.

1. Select "Rating" on the LOCK menu then press ►.
2. To access the Rating, Password and Country Code features, you must input the 4-digit security code you created. If you have not yet entered a security code you are prompted to do so.

Input a 4-digit code and press ENTER. Enter it again and press ENTER to verify. If you make a mistake before pressing ENTER, press CLEAR (0000).

3. Select a rating from 1 to 8 using the ▲ / ▼ buttons.

Rating 1-8: Rating one (1) has the most restrictions and rating eight (8) is the least restrictive.

Unlock

If you select unlock, parental control is not active and the disc plays in full.

Notes:

If you set a rating for the player, all disc scenes with the same rating or lower are played. Higher rated scenes are not played unless an alternate scene is available on the disc. The alternative must have the same rating or a lower one. If no suitable alternative is found, playback stops. You must enter the 4-digit password or change the rating level in order to play the disc.

4. Press ENTER to confirm your rating selection, then press SETUP MENU to exit the menu.

Password (Security Code)

You can enter or change password.

1. Select Password on the LOCK menu then press ►.
2. Follow step 2 as shown left (Rating). "Change" or "New" is highlighted.
3. Enter the new 4-digit code, then press ENTER. Input it again to verify.
4. Press SETUP MENU to exit the menu.

If you forget your Security Code

If you forget your security code you can clear it using the following steps:

1. Press SETUP MENU to display the Setup menu.
2. Input the 6-digit number "210499" and the security code is cleared.
3. Enter a new code as described above.

Area Code **DVD**

Enter the code of the country/area whose standards were used to rate the DVD video disc, based on the list in the reference chapter.

1. Select "Area Code" on the LOCK menu then press ►.
2. Follow step 2 as shown left (Rating).
3. Select the first character using ▲ / ▼ buttons.
4. Press ENTER and select the second character using ▲ / ▼ buttons.
5. Press ENTER to confirm your country code selection.


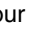
Operation

Playing a tape

You will only be able to load and eject video cassettes when your DVD+VCR is plugged into the mains. Your DVD+VCR may also playback recordings from NTSC tapes (on PAL TV).



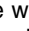
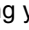
Getting a better picture

When a cassette is inserted and playback started, the automatic tracking function works to get the best possible picture automatically. If the quality of the recording is poor, repeatedly press ▲ or ▼ on the remote control to manually adjust the tracking until any distortions have been removed.



1. Make sure that you have correctly connected your DVD+VCR as described earlier in this book. Turn on your TV. Press  to turn on your DVD+VCR. Insert the video cassette into your DVD+VCR. The video cassette should have the window side facing up and the arrow facing away from you.
2. Press  to start playing your tape. If you load a video cassette which has had its record protection tab removed, playback of the cassette will start automatically.

AUTO TRACKING

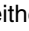
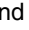
Your DVD+VCR will automatically adjust the tracking to give the best picture quality. If noise bars appear during playback, adjust the tracking manually by pressing **PR/TRK** (-/+).

3. Press  to still a picture. Press  repeatedly to advance the tape frame by frame. If you press , the picture will be slowed down at about 1/19 times the normal playback. Tapes can be paused for up to 5 minutes. After 5 minutes your DVD+VCR will stop the tape to prevent damaging the tape or your DVD+VCR. Still picture quality can be improved slightly by using ▲ or ▼.
4. Press  to continue playing your tape.

Double speed playback

Press the " (X2)" button during normal playback. The tape will play back at double speed and without sound. Press the " (X2)" button to return to playback at normal speed


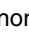
Picture search:

During playing back press either  or  to this will enable you to rapidly wind the tape (7 times normal playback) see where you are on the tape.


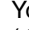
Notes:

- When playing back tapes that have been overrecorded with new content, the original audio may be audible during auto tracking.
- The image may be distorted during special playback in LP mode.

Logic search:

During fast forwarding or rewinding press and hold  or  the picture will be played back at 7 times normal playback speed.

5. Slow motion playback, Shuttle :

During playing back or still picture press  or . You can reach the following playback speeds. (-7xplay, -3xplay, -play, still, 1/19 slow, play, 2xplay, 7xplay)

To switch off the slow motion and shuttle, press the desired function.

During slow motion and shuttle, the noise bars may appear on the picture according to the status of tape.

If distortions can be seen in the picture, reduce them with ▲ or ▼.



6. Press to end playback.

Press **EJECT** ().

If the end of the tape is reached, your DVD+VCR will stop playback automatically, rewind, stop, eject the tape.


CM (Commercial Message) Skip:




This feature enables you during playback of a tape to skip a commercial break in a few seconds, then resume normal playback.

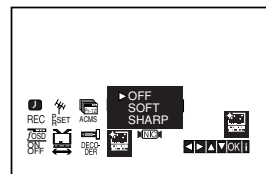
While tape is playing press  on the remote control to skip commercial (or another programme material). Repeatedly press  to skip:

- 1 Press 30 seconds
- 2 Press 60 seconds
- 3 Press 90 seconds
- 4 Press 120 seconds
- 5 Press 150 seconds
- 6 Press 180 seconds

OPR (Optimum Picture Response)

This feature automatically improves playback picture quality by adjusting your DVD+VCR to the condition of the tape. Please note that the OPR icon () will only appear in play that mode when playing a tape.

1. Press **i**.
2. Press  or  to select () OPR.
3. Press **OK**.
4. Press ▲ or ▼ repeatedly to select: **OFF**, **SOFT** or **SHARP**.
Please note you may only set OPR when playing a tape.
5. Press **i** return to screen.



Instant Timer Recording

Your DVD+VCR allows you to make recordings using a variety of simple methods:

Instant Timer Recording start recording immediately for a set period of time or until the video cassette runs out.

Your DVD+VCR incorporates Long Play (LP) which enables you to record up to twice the amount of time on a video cassette. For example an E-180 will record up to 180 minutes using Standard Play (SP); using LP you will be able to record up to 360 minutes. Please note there will be a slight loss in picture and sound quality when using LP.

1. Make sure that you have correctly connected your DVD+VCR as described earlier in this book. Press **ON/OFF** to turn on your DVD+VCR.
2. Insert a video cassette with protection tab into your DVD+VCR.
The video cassette should have the window side facing up and the arrow facing away from you.
3. Press **▲** or **▼** to select the **programme number** you wish to record.
You may also directly select programme number using the **numbered buttons** on the remote control.
4. If you wish to record directly from the SCART or RCA jacks, repeatedly press AUX until the socket you wish to record from is displayed.

AV 1 for recording from EURO AV1 SCART jacks on the rear of your unit.

AV 2 for recording from EURO AV2 SCART jacks on the rear of your unit.

AV 3 for recording from VIDEO IN and AUDIO IN (Left & Right) jacks on the front of your unit.

5. Press **///** if you wish to record in Long Play or Standard Play.
SP will produce improved picture and sound quality, however LP will provide twice as much recording time as SP.
6. Press **REC (●)** on the remote to start recording.

Press **●** on your unit or press **REC (●)** on the remote several times. Each successive press will increase the record time by 30 minutes until you reach a maximum of 9 hours.

7. Press **||** to avoid recording unwanted scenes.
Press **||** to continue recording.

Tapes can be paused for up to 5 minutes; RECP will be displayed when a tape is paused. After 5 minutes your DVD+VCR will stop recording to prevent damaging the tape or your DVD+VCR.

8. Press **■** to end recording.
Press **EJECT (▲)**.

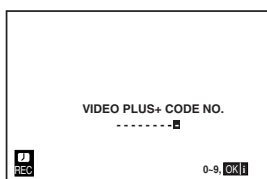
Notes:

- If you do not wish to record on a tape (this can happen quite easily by accident!) remove the protection tab on the back edge of the video cassette.
- It is possible to record on a video cassette with the record protection tab removed by covering the hole with self adhesive tape.
- Remember you can record one programme while watching another by starting your instant recording, press **TV/VCR** to select TV mode and then selecting a different channel on your TV.

VIDEO Plus+ Programming

VIDEO Plus+ greatly simplifies entering the date, channel, start and end times of a Timer Recording by simply entering VIDEO Plus+ Code. VIDEO Plus+ Codes are published in most TV guide magazines; they can vary one to nine numbers in length.

1. Make sure that TV channels have been tuned and stored in correct VIDEO Plus+ order.
Insert a video cassette with protection tab into your DVD+VCR.

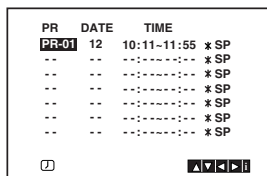


2. Press **VIDEO Plus+**.
3. Press the **numbered buttons** to enter the PlusCode of the TV programme that you wish to record.

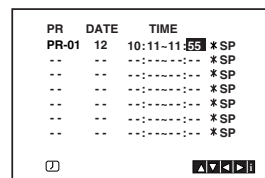
If you make a mistake press **◀** then enter the revised number.



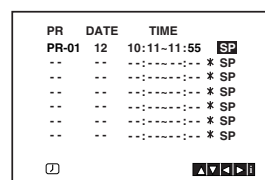
4. Press **OK**.
If **PLEASE CHECK** is displayed it means that you have entered the wrong VIDEO Plus+ numbers, entered the VIDEO Plus+ numbers incorrectly. If “- -” is displayed, you have to enter the programme number of the station, you want to record from.



5. Press **◀** or **▶** to select the settings that you wish to revise. (PR, DATE, TIME VPS/PDC and SP).
Press **▲** or **▼** to enter the correct information.



6. Press **▶** to select the recording speed.
Press **▲** or **▼** to select the desired tape speed (SP, IP, or LP).
IP mode determines how much tape is left and switches speed from SP to LP, if necessary, to complete recording the program.
IP mode is not selected when VPS/PDC is ON.
Check that the timer event details are correct.
If you wish to record from AUDIO IN and VIDEO IN on the front or from either of the EURO SCART sockets on the back of VCR, press AUX to select for correct display (AV1, AV2 or AV3).



7. If you want to make another VIDEO Plus+ recording repeat stages 2 - 7.
Press **i** twice.
If **PLEASE CHECK** is displayed, you have entered incorrect information and will need to re-enter the data.
Press **⏻** to switch your DVD+VCR power off mode.
⌚ will appear in the video recorder's display while your VCR waits to make the recording.
To watch a DVD during timer recording standby mode, press **⏻** and DVD to switch to DVD mode.
8. Press **⏻** to end recording.

Notes:

Programme Delivery Control (PDC)

The Programme Delivery Control (PDC) system adjusts the start and end times of a timer record event. This can be particularly useful with sports events which may run over into extra time. The PDC signal is transmitted by the broadcaster and this controls your video recorder's timer. Currently only a limited number of TV companies transmit PDC signals. Please make sure that when recording from channels that do not broadcast PDC that you turn PDC OFF.

Timer recording using On Screen Display


You may set up to seven timer record events within one month of the current date.

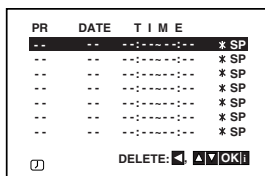
Note:

Before setting the timer make sure that you have set the DVD+VCR clock correctly and you know which stations you have tuned TV stations on your DVD+VCR.

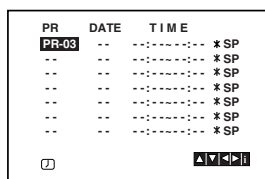
1. Insert a video cassette with protection tab into your DVD+VCR.
The video cassette should have the window side facing up and the arrow facing away from you.

2. Press **i**.

Press **◀** or **▶** to select **REC** ().
Press **OK**.



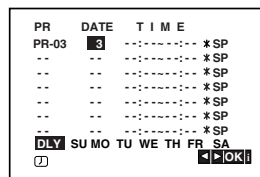
3. Press **OK** to start setting the timer record event.
4. Use the **▲/▼** to enter the station that you wish to record then press **▶**.



Note:

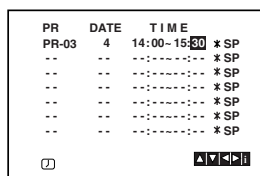
If all timer record events are full press **▲** or **▼** to select the event that you wish to remove and replace.
Press **◀** to delete the event.

5. Use the **▲/▼** to enter the date of the programme.
If you press **OK** before entering the date you may select one of the following automated recording features.
Press **◀** or **▶** to select, then press **OK** to confirm.
DLY To record every day (except Saturday and Sunday) at the same time.
SU~SA To record at the same time every week.

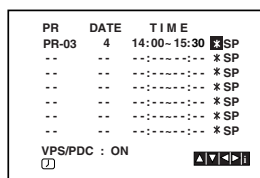


6. Use **▲/▼/◀▶** buttons to enter the recording start and end times of the programme that you wish to record.

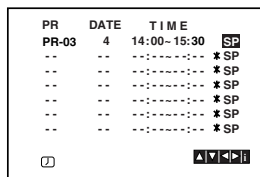
Please note your DVD+VCR uses a 24 hour clock.
e.g. 1pm will be displayed as 13:00.



7. Press **▶** and press **▲** or **▼** to switch VPS/PDC on or off.



8. Press **▶** to select the recording speed.
Press **▲** or **▼** to select the desired tape speed (SP, IP, or LP).
IP mode determines how much tape is left and switches speed from SP to LP, if necessary, to complete recording the program. IP mode is not selected when VPS/PDC is ON.



Timer recording using On Screen Display (Continued)

9. Press **i** to set another timer record event and follow steps 3 to 8.
Check that the timer event details are correct.
Press **i** return to screen.
If **PLEASE CHECK** is displayed, you have entered incorrectly and will need to re-enter the data.
10. Press **⏻** to switch your DVD+VCR to Timer Standby mode.

The timer symbol (⌚) will appear in the display window while your DVD+VCR waits to make the recording.
11. Press **⏻** to end timer recording.

Notes:

- If you want to stop recording while recording is in progress, press **⏻** to stop recording.
- The DVD+VCR will automatically power off when Timer Recording ends.
- During timer recording standby mode, the DVD and VCR mode cannot be operated. To use the DVD+VCR, press **⏻**. After you use the DVD or VCR, press **⏻** again to put the VCR into timer recording standby mode.
- If at a later date you wish to **delete** or **change** any of the settings in timer event memory you may do so without having to enter all the timer event information again. Simply display the timer event screen. Use **▲** or **▼** to select the event that you wish to **delete** or **change**.

Press **◀** to delete the event...or

Press **OK** to change; then press **◀** or **▶** to select; Station, Date, Start and End times and recording speed. Press **▲** or **▼** to enter the correct information.

● If Timer record events Overlap...

Make sure that the preset times of the timer recording events do not overlap. If they do, the earlier programme will always be given priority.

Example:

Programme 1 is programmed to start at 16:00 and end at 17:00.

Programme 2 is programmed to start at 16:30 and end at 17:30.

(In this case, Programme 1 will be recorded in its entirety, but only the last 30 minutes of Programme 2 will be recorded.)

- To watch a DVD while performing a timer recording, press DVD to select DVD mode.

Playing a DVD or Video CD

Playback Setup

1. Turn on the TV and select the video input source connected to the DVD player.
2. Turn on the audio system (if applicable) and select the input source connected to the DVD player.
3. Press OPEN/CLOSE (▲) to open the disc tray and load your chosen disc in the tray, with the playback side down.
4. Press OPEN/CLOSE (▲) to close the tray. Playback starts automatically. If playback does not start, press ►.

In some cases, the disc menu might appear instead:

DVD

Use the ◀ ▶ ▲ ▼ buttons to select the title/chapter you want to view, then press ENTER to start. Press TITLE or DISC MENU to return to the menu screen.

VCD

Use the number buttons to select the track you want to view and press RETURN to return to the menu screen. Menu settings and operating procedures may differ. Follow the instructions on the each menu screen. You also may set PBC to Off (See "PBC" on page 20).

Notes:

- If parental control is set and the disc is not within the rating settings you must input the password. (See "Lock Menu" on page 21.)
- DVDs may have a region code. Your player does not play discs that have a region code different from your player. The region code for this player is 2 (two).

General Features

Note:

Unless stated otherwise, all operations described use the remote control. Some features may also be available on the Setup menu.

Moving to another TITLE **DVD**

When a disc has more than one title, you can move to another title. Press DISPLAY while playback is stopped then the appropriate number (0-9) or use ◀ / ▶ to move to another title.

You can play any title by inputting its number while playback is stopped.

Moving to another CHAPTER/TRACK

DVD VCD DivX

When a title on a disc has more than one chapter or a disc has more than one track, you can move to another chapter/track as follows:

- Press I◀◀ or ▶▶I briefly during playback to select the next chapter/track or to return to the beginning of the current chapter/track.
- Press I◀◀ twice briefly to step back to the previous chapter/track.
- To go directly to any chapter during DVD playback, press DISPLAY and press ▲ / ▼ to select the chapter/track icon. Then, input the chapter/track number or use ◀ / ▶.

Search **DVD VCD DivX**

1. Press ◀◀ or ▶▶ during playback.
2. Press ◀◀ or ▶▶ repeatedly to select the required speed.
DVD, DivX disc; X2, X4, X16 or X100
Video CD; X2, X4 or X8
3. To exit SEARCH mode, press ►.

Changing the Audio Channel **VCD**

Press A.MONITOR repeatedly during playback to hear a different audio channel (Stereo, Left, or Right).

Still Picture and Frame-by-Frame Playback

DVD VCD DivX

1. Press **II** on the remote control during playback. Advance the picture frame-by-frame by pressing **II** repeatedly.
2. To exit still motion mode, press **▶**.

Slow Motion **DVD VCD DivX**

1. Press **II** during playback.
The DVD player will now go into PAUSE mode.
2. Use **◀◀** or **▶▶** to select the required speed: **◀◀** 1/16, **◀◀** 1/8, **◀◀** 1/4, or **◀◀** 1/2 (backward), or **▶▶** 1/16, **▶▶** 1/8, **▶▶** 1/4, or **▶▶** 1/2 (forward).
With a Video CD, the Slow speed changes: **▶▶** 1/16, **▶▶** 1/8, **▶▶** 1/4 or **▶▶** 1/2 (forward).
3. To exit Slow Motion mode, press **▶**.

Note:

Slow motion playback in reverse is not possible with Video CDs and DivX Discs.

Random **VCD Karaoke DVD**

1. Press **RANDOM** during playback or in stop mode. The unit automatically begins random playback and **RANDOM** appears on the TV screen.
2. Press **RANDOM** again to normal.

Tip:

By pressing **▶▶▶** during random playback, the unit selects another title (track) and resumes random playback.

Note:

On a Video CD with PBC, You must set PBC to Off on the setup menu to use the random function (See "PBC" on page 20).

Repeat A-B **DVD VCD DivX**

To repeat a sequence.

1. Press **REPEAT A-B** at your chosen starting point. "A * " appears briefly on the TV screen.
2. Press **REPEAT A-B** again at your chosen end point.
"A B" appears briefly on the TV screen and the repeat sequence begins.
3. Press **REPEAT A-B** again to cancel.

Repeat **DVD VCD DivX**

You can play a title/chapter/all/track on a disc. Press **REPEAT** during playback to select a desired repeat mode.

DVD Video Discs - Repeat Chapter/Title/Off

- Chapter: repeats the current chapter.
- Title: repeats the current title.
- Off : does not play repeatedly.

Video CDs, Divx discs - Repeat Track/All/Off

- Track : repeats the current track
- All : repeats all the tracks on a disc.
- Off : does not play repeatedly.

Notes:

- On a Video CD with PBC, you must set PBC to Off on the setup menu to use the repeat function (See "PBC" on page 20).
- If you press **▶▶▶** once during Repeat Chapter (Track) playback, the repeat playback cancels.

3D Surround **DVD VCD DivX**

To produce a 3D surround effect that simulates multi-channel audio from two stereo speakers (instead of the five+ speakers normally required for multi-channel audio from a home theater system).

1. Press **DISPLAY** during playback.
2. Use **▲** or **▼** to select the sound option. The sound option will be highlighted.
3. Use **◀** or **▶** to select "3D SUR".
To turn off the 3D Surround effect, select "Normal".

Time Search **DVD VCD DivX**

To start playing at any chosen time on the disc:

1. Press **DISPLAY** during playback. The time search box shows the elapsed playing time.
2. Press **▲ / ▼** to select the time clock icon and "-:--:" appears.
3. Input the required start time in hours, minutes, and seconds from left to right. If you enter the wrong numbers, press **CLEAR** (0000) to remove the numbers you entered. Then input the correct numbers.
4. Press **ENTER** to confirm. Playback starts from the selected time.

Zoom DVD VCD DivX

Use zoom to enlarge the video image.

1. Press ZOOM during playback or still playback to activate the Zoom function. The square frame appears briefly in the right bottom of the picture.
2. Each press of the ZOOM button changes the TV screen in the sequence: 100% size → 400% size → 1600% size → screen fit mode → 100% size
Screen fit mode:
You can change the way the image appears on the screen when you're playing a DVD movie. Press ▲/▼ to select between Normal, Enhanced, and Maximum.
3. Use the ◀▶▲▼ buttons to move through the zoomed picture.
4. To resume normal playback, press ZOOM repeatedly or press CLEAR (0000) button.

Notes:

- Zoom may not work on some DVDs.
- Screen fit mode is available for playing the DVD disc, VR disc and movie file.

Marker Search DVD VCD DivX**To enter a Marker**

You can start playback from up to nine memorized points. To enter a marker, press MARKER at the desired point on the disc. The Marker icon appears on the TV screen briefly. Repeat to enter up to nine markers.

To Recall or Clear a Marked Scene

1. During disc playback, press SEARCH. The marker search menu appears on the screen.
2. Within 10 seconds, press ◀ / ▶ to select a marker number that you want to recall or clear.
3. Press ENTER and playback starts from the marked scene. Or, press CLEAR (0000) and the marker number is erased from the list.
4. You can play any marker by inputting its number on the marker search menu.

Special DVD Features**Checking the contents of DVD discs: Menus**

DVDs may offer menus that allow you to access special features. To use the disc menu, press DISC MENU. Input the corresponding number or use the ◀▶▲▼ buttons to highlight your selection. Then press ENTER.

Title Menu DVD

1. Press TITLE. If the current title has a menu, the menu appears on the screen. Otherwise, the disc menu may appear.
2. The menu offers features such as camera angles, spoken language and subtitle options, and chapters for the title.
3. Press TITLE to exit.

Disc Menu DVD

Press DISC MENU and the disc menu is displayed. Press DISC MENU again to exit.

Camera Angle DVD

If the disc contains scenes recorded at different camera angles, you can change to a different camera angle during playback. Press ANGLE repeatedly during playback to select a desired angle. Note that the number of the current angle appears on the display.

Changing the Audio Language DVD DivX

Press A.MONITOR repeatedly during playback to hear a different audio language or audio track. With DVD-RW discs recorded in VR mode that have both a main and a Bilingual audio channel, you can switch between Main (L), Bilingual (R), or a mix of both (Main + Bilingual) by pressing AUDIO.

Subtitles DVD DivX

Press SUBTITLE repeatedly during playback to see the different subtitle languages.

Note:

- The subtitle file of the DivX file is displayed only smi, srt and sub.
- If there is no information or there is a code that can not read in the DivX file, " 1 " or etc. are displayed.

Playing an Audio CD or MP3 Disc

The DVD player can play MP3 formatted recordings on CD-ROM, CD-R, or CD-RW discs.

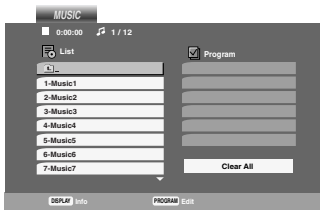
Audio CD

Once you insert an audio CD a menu appears on the TV screen. Press ▲ / ▼ to select a track then press ► or ENTER and playback starts.



MP3


1. Press ▲ / ▼ to select a folder, and press ENTER to see the folder contents.
2. Press ▲ / ▼ to select a track then press ► or ENTER. Playback starts.



ID3 TAG

- When playing a file containing information such as track titles, you can see the information by pressing DISPLAY. [Song, Artist, Album, Comment, Genre]
- If there is no information, “No ID3 TAG” appear on the menu screen.

Tip:

- If you are in a file list on the MUSIC menu and want to return to the Folder list, use the ▲ / ▼ to highlight  and press ENTER.
- Press DISC MENU to move to the next page.
- On a CD with MP3 and JPEG you can switch MP3 and JPEG. Press TITLE and MUSIC or PHOTO word on top of the menu is highlighted.
- When playing a file containing information such as track titles, you can see the information by pressing DISPLAY.

MP3 disc compatibility with this player is limited as follows:

- Sampling frequency: within 8 - 48 kHz (MP3)
- Bit rate: within 8 - 320kbps (MP3)
- The player cannot read an MP3 file that has a file extension other than “.mp3”.
- CD-R physical format should be ISO 9660
- If you record MP3 files using software that cannot create a file system (eg. Direct-CD) it is impossible to playback MP3 files. We recommend that you use Easy-CD Creator, which creates an ISO 9660 file system.
- File names should have a maximum of 8 letters and must incorporate an .mp3 extension.
- They should not contain special letters such as / ? * : “ < > | etc.
- The total number of files on the disc should be less than 650.

This DVD player requires discs and recordings to meet certain technical standards in order to achieve optimal playback quality. Pre-recorded DVDs are automatically set to these standards. There are many different types of recordable disc formats (including CD-R containing MP3 files) and these require certain pre-existing conditions (see above) to ensure compatible playback.

Customers should note that permission is required in order to download MP3 files and music from the Internet. Our company has no right to grant such permission. Permission should always be sought from the copyright owner.

Audio CD and MP3 Disc Features

Pause **CD** **MP3**

1. Press **II** during playback.
2. To return to playback, press **▶**, **ENTER** or press **II** again.

Moving to another Track **CD** **MP3**

1. Press **◀◀** or **▶▶** briefly during playback to go to the next track or to return to the beginning of the current track.
2. Press **◀◀** twice briefly to go back to the previous track.
3. In case of audio CD, to go directly to any track, enter the track number using the numbered buttons (0-9).

Repeat Track/All/Off **CD** **MP3**

You can play a track/all on a disc.

1. Press **REPEAT** when playing a disc. The repeat icon appears.
2. Press **REPEAT** to select a desired repeat mode.
 - Track: repeats the current track
 - All: repeats all the tracks on a disc.
 - Off(No display): does not play repeatedly.

Note:

If you press **▶▶** once during Repeat Track playback, the repeat playback cancels.

Search **CD** **MP3**

1. Press **◀◀** or **▶▶** during playback.
2. Press **◀◀** or **▶▶** repeatedly to select the required speed: X2, X4, X8 backward or forward.
3. To exit **SEARCH** mode, press **▶**.

Random **CD** **MP3**

1. Press **RANDOM** during playback or when playback is stopped. Random Playback begins immediately and **RANDOM** appears on the menu screen.
2. To return to normal playback, press **RANDOM** repeatedly until **RANDOM** disappears from the menu screen.

Tip:

By pressing **▶▶** during random playback, the unit selects another track and resumes random playback.

Repeat A-B **CD**

1. To repeat a sequence during disc playback press **REPEAT A-B** at your chosen starting point. The Repeat icon and "A" appear on the menu screen.
2. Press **REPEAT A-B** again at your chosen end point. The Repeat icon and "A-B" appear on the menu screen, and the sequence begins to play repeatedly.
3. To exit the sequence and return to normal play, press **REPEAT A-B** again. The Repeat icon disappears from the menu screen.

3D Surround **CD**

To produce a 3D surround effect that simulates multi-channel audio from two stereo speakers (instead of the five+ speakers normally required for multi-channel audio from a home theater system).

1. Press **A.MONITOR** during playback. "3D SUR." appears on the menu screen.
2. To return to normal playback, press **A.MONITOR** repeatedly until "3D SUR." disappears from the menu screen.

Programmed Playback

The program function enables you to store your favorite tracks from any disc in the player memory. A program can contain 30 tracks.

1. Insert a disc.

Audio CD or MP3 Discs:

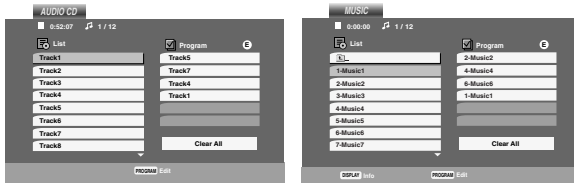
AUDIO CD or MUSIC menu appears.

2. Press MNL.PROG..

The **E** mark will appear to the right of the word "Program" on the right side of the menu screen.

Note:

Press MNL.PROG. again, then the **E** mark will disappear to exit the Program Edit mode.



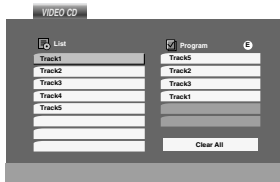
Audio CD Menu

MP3 Menu

Video CD: Press MNL.PROG. while playback is stopped. The program menu appears. Press MNL.PROG. to exit the menu.

Note:

On a Video CD with PBC, you must set PBC to Off on the setup menu to use the programmed playback (See "PBC" on page 20).



Video CD Menu

3. Select a track on the "List", then press ENTER to place the selected track on the "Program" list. Repeat to place additional tracks on the list.
4. Press **▶**.
Select the track you want to start playing on the "Program" list.
5. Press **▶** or ENTER to start. Playback begins in the order in which you programmed the tracks. Playback stops after all of the tracks on the "Program" list have played once.
6. To resume normal playback from programmed playback, select a track of CD (or MP3) list and then press **▶**.

Repeat Programmed Tracks

1. Press REPEAT when playing a disc. The repeat icon appears.
2. Press REPEAT to select a desired repeat mode.
 - Track: repeats the current track
 - All: repeats all the tracks on programmed list.
 - Off(No display): does not play repeatedly.

Note:

If you press **▶▶** once during Repeat Track playback, the repeat playback cancels.

Erasing a Track from Program List

1. Video CD : Press MNL.PROG. in the stop mode to enter Program Edit mode.
2. Press **▶** to move to the "Program" list.
3. Use **▲/▼** to select the track that you wish to erase from the "Program" list.
4. Press CLEAR (0000). Repeat to erase additional tracks on the list.

Erasing the Complete Program List

1. Follow steps 1-2 of "Erasing a Track from Program List" as above.
2. Use **▲/▼** to select "Clear All", then press ENTER. The complete Program for the disc will be erased.

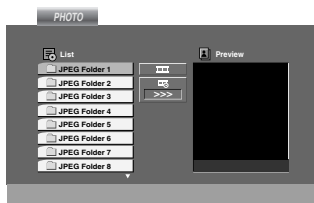
Note:

The programs are also cleared when the disc is removed.

Viewing a JPEG Disc

Using this DVD Player you can view discs with JPEG files.

1. Insert a disc and close the tray. The PHOTO menu appears on the TV screen.



2. Press ▲ / ▼ to select a folder, and press ENTER. A list of files in the folder appears. If you are in a file list and want to return to the previous Folder list, use the ▲ / ▼ buttons on the remote to highlight and press ENTER.
3. If you want to view a particular file, press ▲ / ▼ to highlight a file and press ENTER or ►. Viewing the file proceeding starts. The on-screen messages displayed with the file can be turned off by pressing the **RETURN** (Hide) button on the remote control. While viewing a file, you can press ■ to move to the previous menu (PHOTO menu).

Slide Show **JPEG**

Use ▲ ▼ ◀ ▶ to highlight the (Slide Show) then press ENTER.

Tip:

- There are three Slide Speed options : >>> (Fast), >> (Normal) and > (Slow).
- On a disc with MP3 and JPEG you can switch MP3 and JPEG. Press TITLE and MUSIC or PHOTO word on top of the menu is highlighted.
- Press RETURN, information of file is hidden.

Still Picture **JPEG**

1. Press **||** during slide show. The player will now go into PAUSE mode.
2. To return to the slide show, press ► or press **||** again.

Moving to another File **JPEG**

Press **◀◀** or **▶▶** or cursor **◀** or **▶** once while viewing a picture to advance to the next or previous file.

Zoom **JPEG**

Use zoom to enlarge the photo image. (see 29 page)

To rotate picture

Press ▲ / ▼ during showing a picture to rotate the picture clockwise or counter clockwise.

To listen to MP3 music watching picture **JPEG**

You can display files while listening to MP3 music files recorded on the same disc.

1. Insert the disc containing the two types of file in the player.
2. Press TITLE to display PHOTO menu.
3. Press ▲ / ▼ to select a photo file.
4. Use ► / ▼ to select icon then press ENTER. Playback starts. The playback will continue until STOP is pressed.

Tip:

To listen to only the desired music watching picture, programmed the desired tracks from the "MUSIC" menu and then proceed as above.

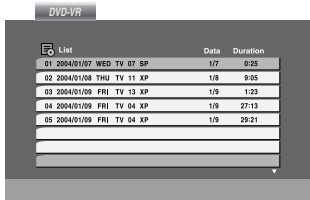
JPEG disc compatibility with this player is limited as follows:

- Depending upon the size and number of JPEG files, it could take a long time for the DVD player to read the disc's contents. If you don't see an on-screen display after several minutes, some of the files may be too large — reduce the resolution of the JPEG files to less than 2M pixels as 2760 x 2048 pixels and burn another disc.
- The total number of files and folders on the disc should be less than 650.
- Some discs may be incompatible due to a different recording format or the condition of disc.
- Ensure that all the selected files have the ".jpg" extensions when copying into the CD layout.
- If the files have ".jpe" or ".jpeg" extensions, please rename them as ".jpg" file.
- File names without ".jpg" extension will not be able to be read by this DVD+VCR. Even though the files are shown as JPEG image files in Windows Explorer.

Playing a DVD VR format Disc

This unit will play DVD-R/RW discs recorded using the DVD-Video format that have been finalized using a DVD-recorder.

- This unit will play DVD-RW discs recorded using the Video Recording (VR) format.
1. Insert a disc and close the tray. The DVD-VR menu appears on the TV screen.



2. Press ▲ / ▼ to select a track then press ► or ENTER and playback starts.
3. Press TITLE to move to the list menu.

Note:

- Unfinalized DVD-R/RW discs cannot be played in this player.
- Some DVD-VR disc are made with CPRM data by DVD RECORDER. Player does not support these kinds of discs.

What is 'CPRM'?

CPRM is a copy protection system (with scramble system) only allowing the recording of 'copy once' broadcast programs. CPRM stands for Content Protection for Recordable Media.

This player is CPRM compatible, which means that you can record copy-once broadcast programs, but you cannot then make a copy of those recordings. CPRM recordings can only be made on DVD-RW discs formatted in VR mode, and CPRM recordings can only be played on players that are specifically compatible with CPRM.

Maintenance and Service

Refer to the information in this chapter before contacting a service technician.

Handling the Unit

When shipping the unit

Please save the original shipping carton and packing materials. If you need to ship the unit, for maximum protection, re-pack the unit as it was originally packed at the factory.

Keeping the exterior surfaces clean

- Do not use volatile liquids such as insecticide spray near the unit.
- Do not leave rubber or plastic products in contact with the unit for a long period of time. since they leave marks on the surface.

Cleaning the unit

To clean the player, use a soft, dry cloth. If the surfaces are extremely dirty, use a soft cloth lightly moistened with a mild detergent solution.

Do not use strong solvents such as alcohol, benzene, or thinner, as these might damage the surface of the unit.

Maintaining the Unit

The DVD player is a high-tech, precision device. If the optical pick-up lens and disc drive parts are dirty or worn, the picture quality could be diminished.

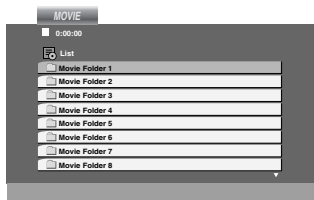
Depending on the operating environment, regular inspection and maintenance are recommended after every 1,000 hours of use.

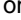
For details, please contact your nearest authorized service center.

Playing a DivX Movie Disc

Using this DVD Player you can play DivX disc.

1. Insert a disc and close the tray. The MOVIE menu appears on the TV screen.



2. Press ▲ / ▼ to select a folder, and press ENTER. A list of files in the folder appears. If you are in a file list and want to return to the Folder list, use the ▲ / ▼ buttons on the remote to highlight  and press ENTER.
3. If you want to view a particular file, press ▲ / ▼ to highlight a file and press ENTER or ►.
4. Press ■ to exit.

Tip:

- Press DISC MENU to move to the next page.
- On a CD with MP3, JPEG and MOVIE file, you can switch MUSIC, PHOTO and MOVIE menu. Press TITLE and MUSIC, PHOTO and MOVIE word on top of the menu is highlighted.
- The disc subtitle may not be displayed properly, if a DivX subtitle is downloaded through the internet.
- If the Disc Subtitle setup menu does not have the DivX Subtitle language you are going to play, the subtitle may not be displayed properly.

Note:

If DivX Subtitle file name is not same with DivX file name, Subtitle will not be displayed on the screen. A DivX Movie file and the subtitle file must be located in same directory.

DivX disc compatibility with this player is limited as follows:

- Available resolution size of the DivX file is under 720x576 (W x H) pixel.
- The file name of the DivX subtitle is available by 56 characters.
- If there is impossible code to express in the DivX file, it may be displayed as " _ " mark on the display.
- **If the number of the screen frame is over 30 per 1 second, this unit may not operate normally.**
- **If the video and audio structure of recorded file is not interleaved, either video or audio is outputted.**
- **If the file is recorded with GMC, the unit supports only 1-point of the record level.**
* GMC?
GMC is the acronym for Global Motion Compensation. It is an encoding tool specified in MPEG4 standard. Some MPEG4 encoders, like DivX or Xvid, have this option. There are different levels of GMC encoding, usually called 1-point, 2-point, or 3-point GMC.

Playable DivX file

- ".avi ", ".mpg ", ".mpeg "

Playable Subtitle format

- SubRip(*.srt/*.txt)
SAMI(*.smi)
SubStation Alpha(*.ssa/*.txt)
MicroDVD(*.sub/*.txt)
SubViewer 2.0(*.sub/*.txt)
TMPlayer(*.txt)
Dvd Subtitle System(*.txt)
VobSub (*.sub) ➔ Sub/idx, stream based format.

Playable Codec format

- "DIVX3.xx ", "DIVX4.xx ", "DIVX5.xx ", "XVID ", "MP43 ", "3IVX "

Playable Audio format

- "AC3 ", "DTS ", "PCM ", "MP3 ".
 - Sampling frequency: within 8 - 48 kHz (MP3)
 - Bit rate: within 8 - 320kbps (MP3)

Additional Features-VCR part

On Screen Display

You may easily display the current time or tape counter, amount of tape left, day, month, year, day of week, programme channel, tape speed and operational mode of your VCR will appear on the TV screen. If a recording is taking place these On Screen Displays will not be recorded onto the tape.

1. Press **DISPLAY** to display.
Press **DISPLAY** repeatedly to cycle through the display options. The tape counter and amount of tape left will appear if there is a tape loaded.
2. After 3 seconds the majority of the On Screen Displays will clear leaving only the clock or tape counter and the amount of tape left on the screen.
Press **DISPLAY** again to remove all displays from the TV screen.

Note:

It cannot display when f.OSD is OFF.

Tape Counter Memory Stop

The **Digital Tape Counter** can be displayed on the display window instead of the time by pressing **DISPLAY** on the remote control. The Digital Tape Counter indicates the relative positions of recordings on the tape.

1. Press **DISPLAY**.
Press **CLEAR** (0000) to set the counter to 0:00:00.
Press **▶** or start recording.
The tape counter will display the actual play time in hours, minutes and seconds.
2. Press **■** when playback or recording is complete.
Press **◀◀**.
The tape will rewind and automatically stop when the counter returns to 0:00:00.

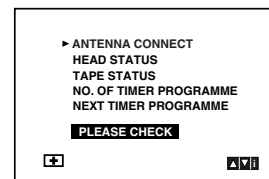
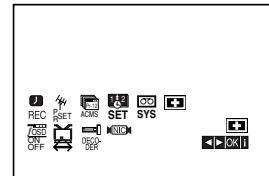
Note:

To rewind to the beginning of the tape, press **◀◀** again.

Video Doctor (Self-Diagnosis)

This feature informs you that there is a problem with your DVD+VCR. These error messages will appear on the TV screen.

1. Press **i**.
Press **◀** or **▶** to select **▶**.
Press **OK**.



2. Press **▲** or **▼** to check a problem.

ANTENNA CONNECT

● PLEASE CHECK:

Connect the aerial into the jack securely.

HEAD STATUS

● PLEASE CLEAN:

Clean your video heads.

TAPE STATUS

● NOT RECORDABLE:

Insert a tape with its protection tab in place

NO. OF TIMER PROGRAMME

● 2

Shows the number of timer recording.

NEXT TIMER PROGRAMME

● PR-01 26 10:00~11:00 SP

Shows the current status of timer recording.

3. Press **i** to remove the menus from the TV screen.

Hi-Fi Stereo Sound System

Your VCR will record and playback Hi-Fi stereo sound. In addition it has a stereo NICAM digital stereo sound decoder. This allows you to record and playback the sound in several different ways. Video cassettes recorded on your VCR will have a normal mono audio track and two VHS Hi-Fi stereo audio tracks. These stereo tracks allow you to make audio recordings in Hi-Fi stereo or bilingual mode from a TV broadcast, stereo audio system, video disc or another Hi-Fi VCR.

1. Your VCR's NICAM digital sound decoder allows you to enjoy broadcasts with NICAM sound, as well as standard stereo, bilingual and mono sound. The particular type of sound received or that recorded will be briefly displayed on the TV screen for a couple of seconds:

STEREO NICAM

Sound is automatically recorded on the Hi-Fi stereo and mono tracks of the video tape.

BIL NICAM

Both audio channels will be recorded on the Hi-Fi stereo tracks. The primary language channel (left) will be recorded on the mono track of the video tape.

MONO

The sound is recorded on the Hi-Fi tracks and the mono track of the video tape without any separation.


2. Press **AUDIO** repeatedly until the desired audio mode appears.
3. The choice is **STEREO**, **LEFT**, **RIGHT** and **MONO**. In **BIL NICAM** playback the primary language is output on the left channel and the secondary channel is output simultaneously from the right channel when audio output is set to **STEREO**.
The primary language will be output from both channels when the audio setting is **MONO**.
Please note that when adjusting the tracking control Hi-Fi stereo sound may revert to **MONO**.

Note:

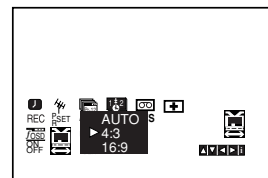
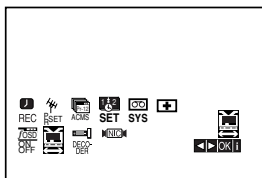
When OFF is selected in NIC, only mono sound will be output.

Wide Screen Compatibility 16:9

Your DVD+VCR can record and play back wide screen aspect ratio programmes (16:9). To record a wide screen format programme successfully the correct type of wide screen signal must be broadcast by the TV station.

1. Switch on your DVD+VCR.
Press **i**.
Press **◀** or **▶** to select .
Press **OK**.

2. Press **▲/▼** repeatedly to select: **AUTO**, **4:3** or **16:9**.



AUTO:

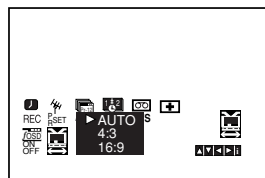
Automatically plays back Wide-Screen programmes as Wide-Screen and Normal programmes as normal.

4:3

Only for playing back and recording Normal format recordings (4:3).

16:9:

Only for playing back and recording Wide-Screen format recordings (16:9).



3. Press **i** to remove the menus from the TV screen.
To enjoy Wide-Screen playback you must connect your VCR to the TV using a SCART cable.

To set the decoder

We have already described, how to connect a decoder for pay-TV station as CANAL+ or PREMIERE on page 10. For the recording of an encoded station you do not have to control anything. You just select the station and wait shortly until the decoding will start.

1. Press **i**.
The main menu will appear on the TV screen.
Press **◀** or **▶** to select the **DECODER**.
Press **OK**.
2. Press **▲** or **▼** to select.
ON: When the decoder is connected to the AV2 socket.
OFF: When another VCR is connected to the AV2 socket.
3. Press **i** to return to a TV picture.

Additional Features

Last Scene Memory

DVD **CD** **VCD**

This player memorizes last scene from the last disc that is viewed. The last scene remains in memory even if you remove the disc from the player or switch off the player. If you load a disc that has the scene memorized, the scene is automatically recalled.

Note:

This player does not memorize the scene of a disc if you switch off the player before commencing to play the disc.

Screen Saver

The screen saver appears when you leave the DVD player in Stop mode for about five minutes.

Copying from DVD To VCR

This unit allows you to copy the contents of a DVD to a VHS tape with a press of the REC (●) button.

Notes:

If the DVD you are attempting to copy is copy protected, you may not be able to copy the disc.

- 1. Insert Disc**
Insert the disc you wish to copy in the DVD deck and close the disc tray.
- 2. Insert VHS Tape**
Insert a blank VHS videotape into the VCR deck.
- 3. Copy the DVD to VHS Tape**
Press the REC (●) button.
 - The DVD will go into Play mode and the VCR will go into Record mode.
 - If the DVD disc menu appears, you may need to press the Play button manually to begin copying.

Note:

If you press the REC (●) button, be sure this unit is in DVD mode.

- 4. Stop the Copy Process**
When the DVD is finished playing, press ■ to end the copy.
 - You must stop the Copy process manually when the DVD movie ends, or the unit may replay and record over and over again.

Recording from another video recorder

With this video recorder you can make recordings from an external source, such as copying from another video recorder or a camcorder.

Note:

In the following description, this video recorder will be one used for recording and will be referred to as VCR B. The other appliance will be used for playback and will be referred to as VCR A.

1. VCR A should be connected to the SCART socket on the rear panel of your unit or the AV sockets on the front panel of your unit.
2. Insert the recorded tape into VCR A and a blank tape into VCR B.
3. Press **AUX** until the socket you wish to record from is displayed. (VCR B)

AV 1 for recording from EURO AV1 SCART socket on the rear of your unit.

AV 2 for recording from EURO AV2 SCART socket on the rear of your unit.

AV 3 for recording from VIDEO IN and AUDIO IN (Left & Right) sockets on the front of your unit.

4. To start recording, press the REC (●) on VCR B and PLAY on VCR A.
5. When you want to finish copying, press the ■ on both video recorders.

Reference

Language Codes

Use this list to input your desired language for the following initial settings:
Disc Audio, Disc Subtitle, Disc Menu.

Language	Code	Language	Code	Language	Code	Language	Code
Abkhazian	6566	Fiji	7074	Lingala	7678	Singhalese	8373
Afar	6565	Finnish	7073	Lithuanian	7684	Slovak	8375
Afrikaans	6570	French	7082	Macedonian	7775	Slovenian	8376
Albanian	8381	Frisian	7089	Malagasy	7771	Somali	8379
Ameharic	6577	Galician	7176	Malay	7783	Spanish	6983
Arabic	6582	Georgian	7565	Malayalam	7776	Sudanese	8385
Armenian	7289	German	6869	Maltese	7784	Swahili	8387
Assamese	6583	Greek	6976	Maori	7773	Swedish	8386
Aymara	6588	Greenlandic	7576	Marathi	7782	Tagalog	8476
Azerbaijani	6590	Guarani	7178	Moldavian	7779	Tajik	8471
Bashkir	6665	Gujarati	7185	Mongolian	7778	Tamil	8465
Basque	6985	Hausa	7265	Nauru	7865	Tatar	8484
Bengali; Bangla	6678	Hebrew	7387	Nepali	7869	Telugu	8469
Bhutani	6890	Hindi	7273	Norwegian	7879	Thai	8472
Bihari	6672	Hungarian	7285	Oriya	7982	Tibetan	6679
Breton	6682	Icelandic	7383	Panjabi	8065	Tigrinya	8473
Bulgarian	6671	Indonesian	7378	Pashto, Pushto	8083	Tonga	8479
Burmese	7789	Interlingua	7365	Persian	7065	Turkish	8482
Byelorussian	6669	Irish	7165	Polish	8076	Turkmen	8475
Cambodian	7577	Italian	7384	Portuguese	8084	Twi	8487
Catalan	6765	Japanese	7465	Quechua	8185	Ukrainian	8575
Chinese	9072	Javanese	7487	Rhaeto-Romance	8277	Urdu	8582
Corsican	6779	Kannada	7578	Rumanian	8279	Uzbek	8590
Croatian	7282	Kashmiri	7583	Russian	8285	Vietnamese	8673
Czech	6783	Kazakh	7575	Samoan	8377	Volapük	8679
Danish	6865	Kirghiz	7589	Sanskrit	8365	Welsh	6789
Dutch	7876	Korean	7579	Scots Gaelic	7168	Wolof	8779
English	6978	Kurdish	7585	Serbian	8382	Xhosa	8872
Esperanto	6979	Laothian	7679	Serbo-Croatian	8372	Yiddish	7473
Estonian	6984	Latin	7665	Shona	8378	Yoruba	8979
Faroese	7079	Latvian, Lettish	7686	Sindhi	8368	Zulu	9085

Area Codes

Choose a area code from this list.

Area	Code	Area	Code	Area	Code	Area	Code
Afghanistan	AF	Ethiopia	ET	Malaysia	MY	Saudi Arabia	SA
Argentina	AR	Fiji	FJ	Maldives	MV	Senegal	SN
Australia	AU	Finland	FI	Mexico	MX	Singapore	SG
Austria	AT	France	FR	Monaco	MC	Slovak Republic	SK
Belgium	BE	Germany	DE	Mongolia	MN	Slovenia	SI
Bhutan	BT	Great Britain	GB	Morocco	MA	South Africa	ZA
Bolivia	BO	Greece	GR	Nepal	NP	South Korea	KR
Brazil	BR	Greenland	GL	Netherlands	NL	Spain	ES
Cambodia	KH	Islands	HM	Netherlands Antilles	AN	Sri Lanka	LK
Canada	CA	Hong Kong	HK	New Zealand	NZ	Sweden	SE
Chile	CL	Hungary	HU	Nigeria	NG	Switzerland	CH
China	CN	India	IN	Norway	NO	Taiwan	TW
Colombia	CO	Indonesia	ID	Oman	OM	Thailand	TH
Congo	CG	Israel	IL	Pakistan	PK	Turkey	TR
Costa Rica	CR	Italy	IT	Panama	PA	Uganda	UG
Croatia	HR	Jamaica	JM	Paraguay	PY	Ukraine	UA
Czech Republic	CZ	Japan	JP	Philippines	PH	United States	US
Denmark	DK	Kenya	KE	Poland	PL	Uruguay	UY
Ecuador	EC	Kuwait	KW	Portugal	PT	Uzbekistan	UZ
Egypt	EG	Libya	LY	Romania	RO	Vietnam	VN
El Salvador	SV	Luxembourg	LU	Russian Federation	RU	Zimbabwe	ZW

Troubleshooting

Check the following guide for the possible cause of a problem before contacting service.

Symptom	Cause	Correction
DVD or VCR do not work properly.	<ul style="list-style-type: none"> • DVD or VCR button is not switched properly. 	<ul style="list-style-type: none"> • Refer to page 2.
No power.	<ul style="list-style-type: none"> • The power cord is disconnected. 	<ul style="list-style-type: none"> • Plug the power cord into the wall outlet securely.
The power is on, but the DVD player does not work.	<ul style="list-style-type: none"> • No disc is inserted. 	<ul style="list-style-type: none"> • Insert a disc. (Check that the DVD or audio CD indicator in the display window is lit.)
No picture.	<ul style="list-style-type: none"> • The TV is not set to receive DVD signal output. 	<ul style="list-style-type: none"> • Select the appropriate video input mode on the TV so the picture from the DVD player appears on the TV screen.
	<ul style="list-style-type: none"> • The video cable is not connected securely. 	<ul style="list-style-type: none"> • Connect the video cable into the jacks securely.
No sound.	<ul style="list-style-type: none"> • The equipment connected with the audio cable is not set to receive DVD signal output. 	<ul style="list-style-type: none"> • Select the correct input mode of the audio receiver so you can listen to the sound from the DVD player.
	<ul style="list-style-type: none"> • The audio cables are not connected securely. 	<ul style="list-style-type: none"> • Connect the audio cable into the jacks securely.
	<ul style="list-style-type: none"> • The power of the equipment connected with the audio cable is turned off. 	<ul style="list-style-type: none"> • Turn on the equipment connected with the audio cable.
	<ul style="list-style-type: none"> • The Digital Audio Output is set to the wrong position. 	<ul style="list-style-type: none"> • Set the Digital Audio Output to the correct position, then turn on the DVD player again by pressing PAUSE.
The picture is poor.	<ul style="list-style-type: none"> • The disc is dirty. • The TV channels are not tuned in properly. 	<ul style="list-style-type: none"> • Clean the disc. • Check tuning, carry out tuning again.
The DVD player does not start playback.	<ul style="list-style-type: none"> • An unplayable disc is inserted. 	<ul style="list-style-type: none"> • Insert a playable disc. (Check the disc type and Regional code.)
	<ul style="list-style-type: none"> • The disc is placed upside down. 	<ul style="list-style-type: none"> • Place the disc with the playback side down.
	<ul style="list-style-type: none"> • The disc is not placed within the guide. 	<ul style="list-style-type: none"> • Place the disc on the disc tray correctly inside the guide.
	<ul style="list-style-type: none"> • The disc is dirty. 	<ul style="list-style-type: none"> • Clean the disc.
	<ul style="list-style-type: none"> • The Rating level is set. 	<ul style="list-style-type: none"> • Cancel the Rating function or change the rating level.
The remote control does not work properly.	<ul style="list-style-type: none"> • There is an obstacle in the path of the remote control and this unit. 	<ul style="list-style-type: none"> • Remove the obstacle.
	<ul style="list-style-type: none"> • The batteries in the remote control are exhausted. 	<ul style="list-style-type: none"> • Replace the batteries with new ones.
Video tape cannot be inserted.	<ul style="list-style-type: none"> • Is the cassette compartment empty? 	<ul style="list-style-type: none"> • Eject the tape in.
No Hi-Fi sound	<ul style="list-style-type: none"> • Audio mode is not set properly. 	<ul style="list-style-type: none"> • Select "STEREO" by repeatedly pressing "AUDIO" on the remote control.
No NICAM sound recording	<ul style="list-style-type: none"> • NICAM mode is not set properly. 	<ul style="list-style-type: none"> • Make sure NICAM in the menu is set to AUTO for the station to be recorded.

Specification

General

Power requirements	AC 200-240V, 50 Hz
Power consumption	17W
Dimensions (approx.)	430 X 78.5 X 265 mm (w/h/d)
Mass (approx.)	4.2 kg
Operating temperature	5°C to 35°C (41°F to 95°F)
Operating humidity	5 % to 90 %
Timer	24 hours display tape
RF Modulator	UHF 22 - 68 (Adjustable)

System

Laser	Semiconductor laser, wavelength 650 nm
Video Head system	Double azimuth 6 heads, helical scanning.
Signal system	PAL
Frequency response	DVD (PCM 96 kHz): 8 Hz to 44 kHz DVD (PCM 48 kHz): 8 Hz to 22 kHz CD: 8 Hz to 20 kHz
Signal-to-noise ratio	More than 100dB (ANALOG OUT connectors only)
Harmonic distortion	Less than 0.008%
Dynamic range	More than 100 dB (DVD) More than 95 dB (CD)

Inputs (VCR)

Audio	-6.0dBm, more than 10 kohms (SCART) -6.0dBm, more than 47 kohms (RCA)
Video	1.0 Vp-p, 75 ohms, unbalanced (SCART/RCA)

Outputs (DVD)

VIDEO OUT	1 Vp-p 75 ohms, sync negative
Audio output (digital audio)	0.5 V (p-p), 75 Ω, RCA jack x 1
Audio output (analog audio)	2.0 Vrms (1 KHz, 0 dB), 600 Ω, RCA jack (L, R)x2/SCART (TO TV)

Outputs (VCR)

Audio	-6.0dBm, less than 1 kohms (SCART)
Video	1.0Vp-p, 75 ohms, unbalanced (SCART)

- Design and specifications are subject to change without notice.

Manufactured under license from Dolby Laboratories. "Dolby" and the double-D symbol are trademarks of Dolby Laboratories.

"DTS" and "DTS Digital Out" are trademarks of Digital Theater Systems, Inc.

Precautions

When the equipment is installed in a cabinet or a shelf, make sure that it has sufficient space on all sides to allow for ventilation (10 cm or more on both sides, on top and at the rear).

When discarding batteries, environmental problems must be considered and the local rules or laws governing the disposal of these batteries must be followed strictly.

Failure to heed the following precautions may result in damage to the unit, remote control or disc.

1. DO NOT place the unit —

— in an environment prone to extreme temperatures or humidity.

— in direct sunlight.

— in a dusty environment.

— in an environment where strong magnetic fields are generated.

— on a surface that is unstable or subject to vibration.

2. DO NOT block the unit's ventilation openings or holes.

(If the ventilation openings or holes are blocked by a newspaper or cloth, etc., the heat may not be able to get out.)

3. DO NOT place heavy objects on the unit or remote control.

4. DO NOT place anything which might spill on top of the unit or remote control.

(If water or liquid is allowed to enter this equipment, fire or electric shock may be caused.)

5. DO NOT expose the apparatus to dripping or splashing.

6. DO NOT use this equipment in a bathroom or places with water. Also DO NOT place any containers filled with water or liquids (such as cosmetics or medicines, flower vases, potted plants, cups, etc.) on top of this unit.

7. DO NOT place any naked flame sources, such as lighted candles, on the apparatus.

8. AVOID violent shocks to the unit during transport.

IMPORTANT

Connection to the mains supply in the United Kingdom.

DO NOT cut off the mains plug from this equipment.

If the plug fitted is not suitable for the power points in your home or the cable is too short to reach a power point, then obtain an appropriate safety approved extension lead or consult your dealer.

In the unlikely event of the plug fuse failing be sure to replace the fuse only with an identical approved type, as originally fitted, and to replace the fuse cover. If the fuse fails again consult your nearest JVC dealer.

If nonetheless the mains plug is cut off remove the fuse and dispose of the plug immediately, to avoid a possible shock hazard by inadvertent connection to the mains supply.

If this product is not supplied fitted with a mains plug then follow the instructions given below:

DO NOT make any connection to the Larger Terminal coded E or Green.



Blue to N (Neutral) or Black

Brown to L (Live) or Red

The wires in the mains lead are coloured in accordance with the following code:

If these colours do not correspond with the terminal identifications of your plug, connect as follows:

Blue wire to terminal coded N (Neutral) or coloured Black.

Brown wire to terminal coded L (Live) or coloured Red.

If in doubt — consult a competent electrician.

Some Do's And Don'ts On The Safe Use Of Equipment

This equipment has been designed and manufactured to meet international safety standards but, like any electrical equipment, care must be taken if you are to obtain the best results and safety is to be assured.

DO read the operating instructions before you attempt to use the equipment.

DO ensure that all electrical connections (including the mains plug, extension leads and interconnections between pieces of equipment) are properly made and in accordance with the manufacturer's instructions. Switch off and withdraw the mains plug when making or changing connections.

DO consult your dealer if you are ever in doubt about the installation, operation or safety of your equipment.

DO be careful with glass panels or doors on equipment.

DON'T continue to operate the equipment if you are in any doubt about it working normally, or if it is damaged in any way—switch off, withdraw the mains plug and consult your dealer.

DON'T remove any fixed cover as this may expose dangerous voltages.

DON'T leave equipment switched on when it is unattended unless it is specifically stated that it is designed for unattended operation or has a standby mode. Switch off using the switch on the equipment and make sure that your family knows how to do this. Special arrangements may need to be made for infirm or handicapped people.

DON'T use equipment such as personal stereos or radios so that you are distracted from the requirements of road safety. It is illegal to watch television whilst driving.

DON'T listen to headphones at high volume, as such use can permanently damage your hearing.

DON'T obstruct the ventilation of the equipment, for example with curtains or soft furnishings. Overheating will cause damage and shorten the life of the equipment.

DON'T use makeshift stands and NEVER fix legs with wood screws—to ensure complete safety always fit the manufacturer's approved stand or legs with the fixings provided according to the instructions.

DON'T allow electrical equipment to be exposed to rain or moisture.

ABOVE ALL...

— **NEVER** let anyone especially children push anything into holes, slots or any other opening in the case—this could result in a fatal electrical shock;

— **NEVER** guess or take chances with electrical equipment of any kind—it is better to be safe than sorry!

EN

HR-XV45SEK

JVC

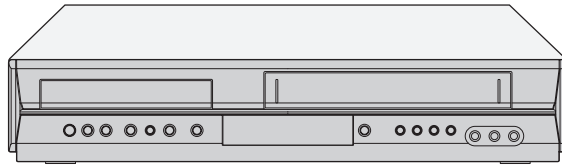
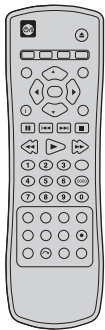
JVC

SCHEMATIC DIAGRAMS

DVD PLAYER & VIDEO CASSETTE RECORDER

HR-XV45SEF, HR-XV45SEK, HR-XV45SER, HR-XV45SEU, HR-XV45SEY, HR-XV45SEZ

CD-ROM No.SML200507



VIDEO Plus+[®]
(EK model)

SHOWVIEW[™]
(EU, EY, EZ models)

VHS
PAL

SHOWVIEW[®]
(EF, ER models)

VHS
PAL SECAM
(EF model)

DVD
VIDEO[™]

DOLBY
DIGITAL

MP3
CD-R/RW

3D Surround
Sound

DivX
VIDEO

dts
DIGITAL OUT

COMPACT
disc
DIGITAL VIDEO

COMPACT
disc
SUPER VIDEO


COMPACT
disc
DIGITAL AUDIO

HR-XV45SEF,HR-XV45SEK,HR-XV45SER,HR-XV45SEU,HR-XV45SEY,HR-XV45SEZ [D5PV1]

CHARTS AND DIAGRAMS

NOTES OF SCHEMATIC DIAGRAM

Safety precautions

The Components identified by the symbol  are critical for safety. For continued safety, replace safety critical components only with manufacturer's recommended parts.

1. Units of components on the schematic diagram

Unless otherwise specified.

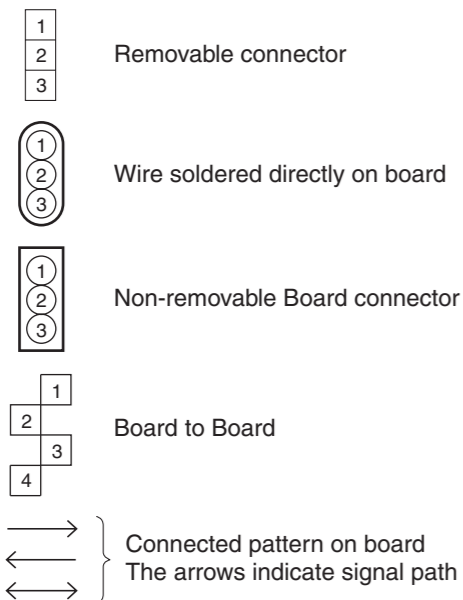
- All resistance values are in ohm. 1/6 W, 1/8 W (refer to parts list).
Chip resistors are 1/16 W.
K: KΩ(1000Ω), M: MΩ (1000KΩ)
- All capacitance values are in μF, (P: PF).
- All inductance values are in μH, (m: mH).
- All diodes are 1SS133, MA165 or 1N4148M (refer to parts list).

Note: The Parts Number, value and rated voltage etc. in the Schematic Diagram are for references only. When replacing the parts, refer to the Parts List.

2. Indications of control voltage

AUX : Active at high.
 $\overline{\text{AUX}}$ or AUX(L) : Active at low.

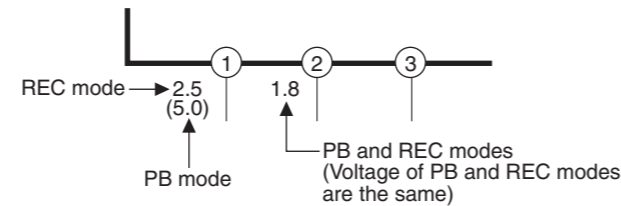
3. Interpreting Connector indications



Note: For the destination of each signal and further line connections that are cut off from the diagram, refer to "BOARD INTERCONNECTIONS"

4. Voltage measurement

- Regulator (DC/DC CONV) circuits
REC : Colour bar signal.
PB : Alignment tape (Colour bar).
— : Unmeasurable or unnecessary to measure.
- Indication on schematic diagram
Voltage indications for REC and PB mode on the schematic diagram are as shown below.

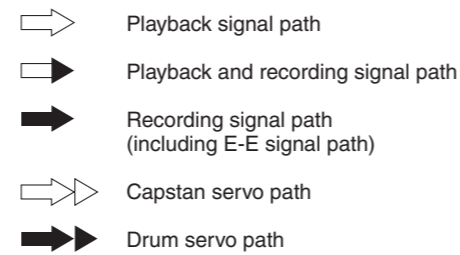


Note: If the voltages are not indicated on the schematic diagram, refer to the voltage charts.

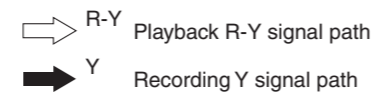
5. Signal path Symbols

The arrows indicate the signal path as follows.

NOTE : The arrow is DVC unique object.



(Example)



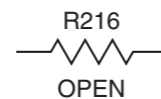
6. Indication of the parts for adjustments

The parts for the adjustments are surrounded with the circle as shown below.



7. Indication of the parts not mounted on the circuit board

"OPEN" is indicated by the parts not mounted on the circuit board.



CIRCUIT BOARD NOTES

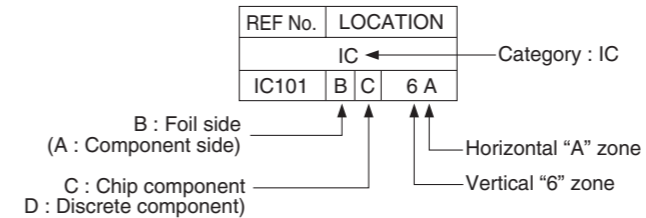
1. Foil and Component sides

- Foil side (B side) :
Parts on the foil side seen from foil face (pattern face) are indicated.
- Component side (A side) :
Parts on the component side seen from component face (parts face) indicated.

Parts location are indicated by guide scale on the circuit board.

2. Parts location guides

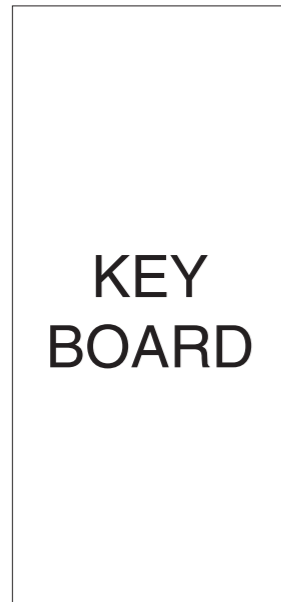
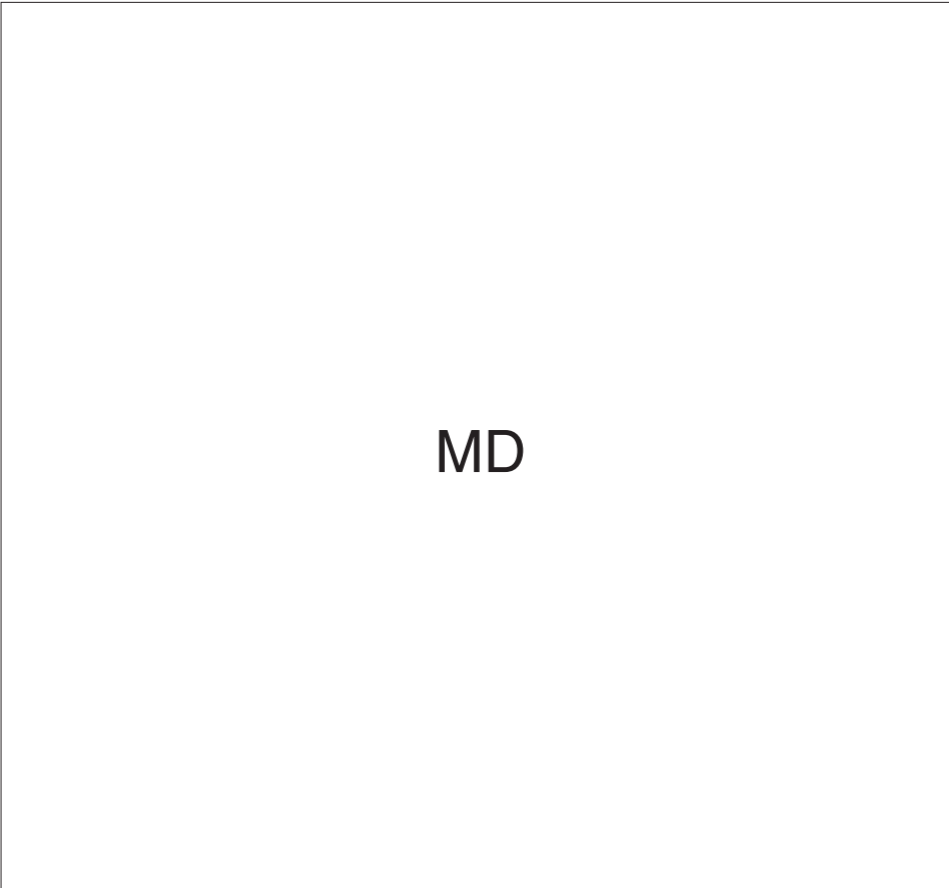
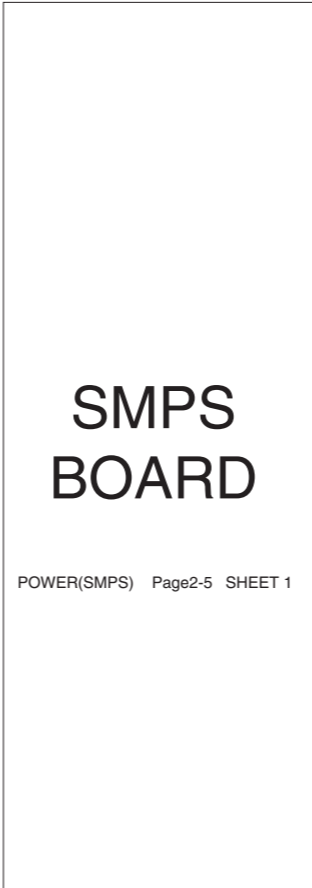
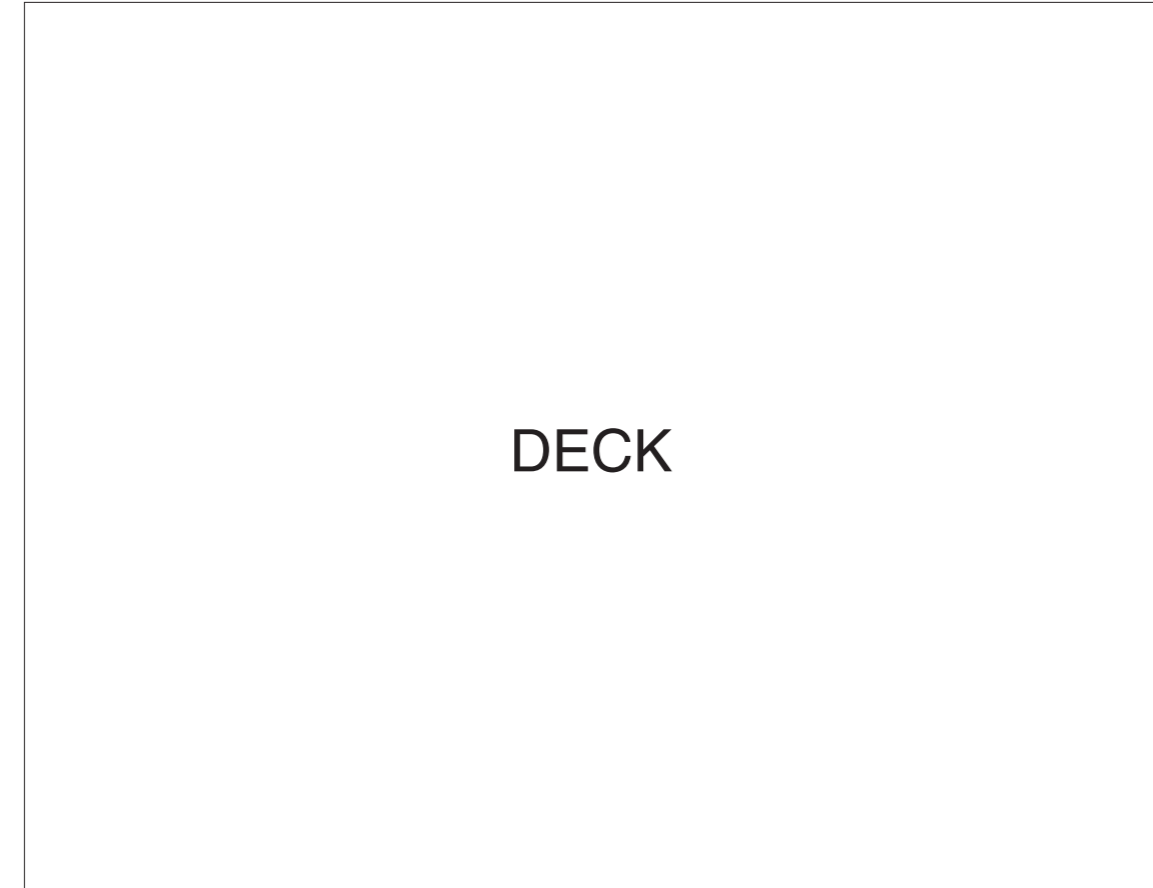
Parts location are indicated by guide scale on the circuit board.



Note: For general information in service manual, please refer to the Service Manual of GENERAL INFORMATION Edition 4 No. 82054D (January 1994).

OVERALL WIRING DIAGRAM

5
4
3
2
1



P3D01		
1	SP PBA	1
2	SP REC	2
3	SP PB B	3
4	EP PB B	4
5	EP REC	5
6	EP PBA	6
7	Hi-Fi PBA	7
8	Hi-Fi REC	8
9	Hi-Fi PB B	9

PMC01		
1	CFG	1
2	12VA(GAP)	2
3	5.2VA	3
4	CAP REVH	4
5	Flimit	5
6	MOTOR GND	6
7	GND	7
8	12VA(DRUM)	8
9	CAP CTL	9
10	LD IN	10
11	DFG/FG	11
12	DRUM CTL	12

P3D02		
1	CTL(+)	1
2	CTL(-)	2
3	A/E(+)	3
4	A/E(-)	4
5	A/REC	5
6	A/PB	6

P3D03		
1	GND	1
2	FULLERASE	2

PPM01		
1	MOTOR_Vcc	1
2	REG_12V	2
3	REG_9V	3
4	GND	4
5	8V	5
6	GND	6
7	3.3V	7
8	PWR_CTLH	8
9	33V	9
10	GND	10
11	5.3VA	11
12	5V	12
13	MSV/SVT	13

PMD01		PMD02	
1	Vcc(HF)	1	
2	RF	2	
3	DVD_LD	3	
4	DVD_PD	4	
5	VOL(DVD)	5	
6	GND	6	
7	VC_INPUT	7	
8	Vcc(HF)	8	
9	F	9	
10	E	10	
11	A	11	
12	D	12	
13	C	13	
14	B	14	
15	F(+)	15	
16	T(-)	16	
17	T(+)	17	
18	F(-)	18	
19	Vcc	19	
20	GND	20	
21	CD_LD	21	
22	CD_PD	22	
23	VOL(CD)	23	

PMD03		
1	SPM +	1
2	SPM -	2
3	FM +	3
4	FM -	4
5	LM +	5
6	LM -	6
7	SW(OPEN)	7
8	SW(CLOSE)	8
9	GND	9
10	SW(LEAD IN)	10
11	GND	11

1	K-RTN2	1
2	GND	2

AV SYSTEM TUNER/IF HiFi AUDIO SCART(JACK) DVD RF & DSP SERVO DVD AV/JACK DVD SYSTEM Page2-7 SHEET 2 Page2-9 SHEET 3 Page2-11 SHEET 4 Page2-13 SHEET 5 Page2-15 SHEET 6 Page2-17 SHEET 7 Page2-19 SHEET 8 Page2-21 SHEET 9

A B C 2-3 D 2-4 E F G

AV CIRCUIT DIAGRAM

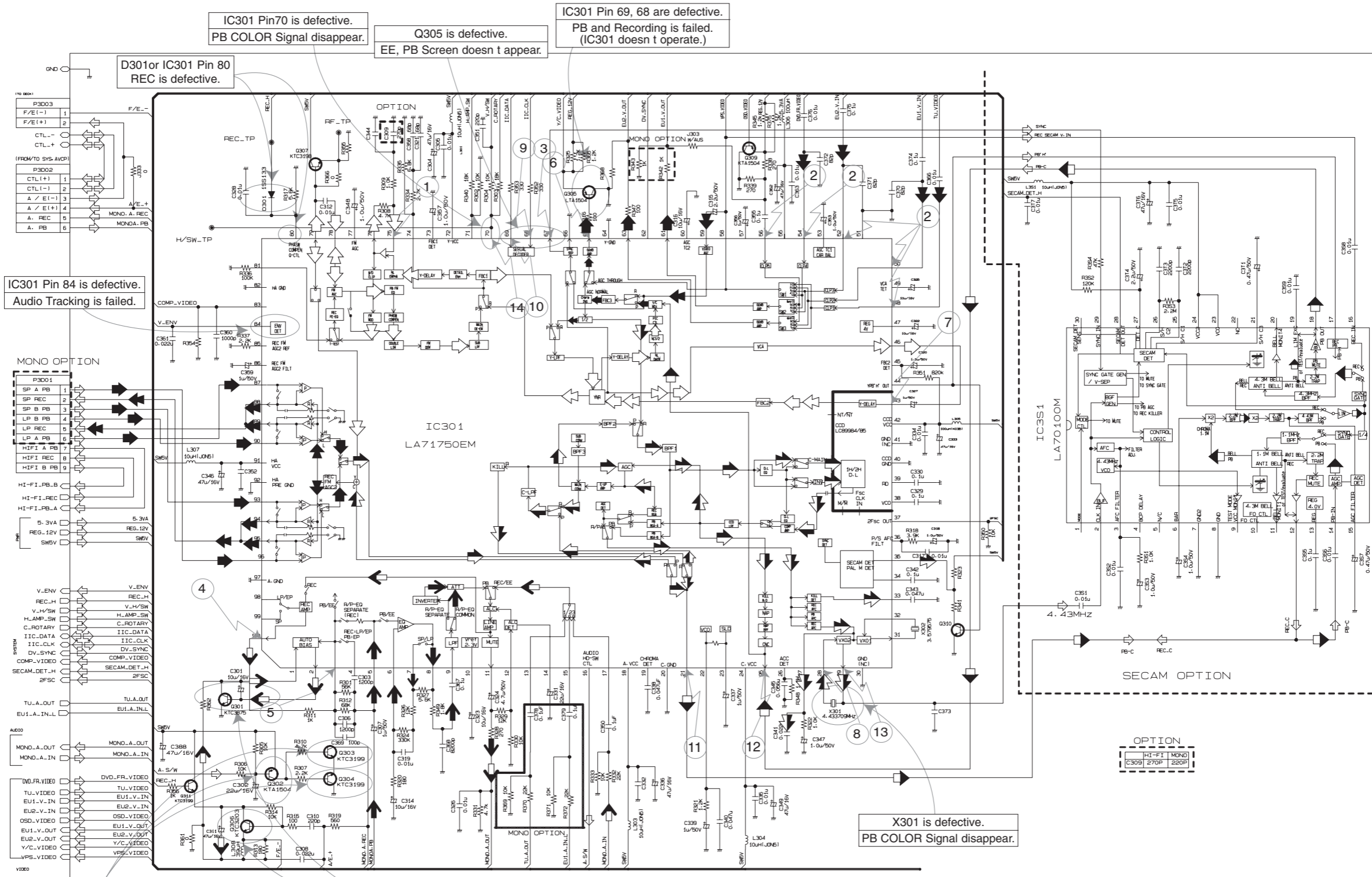
5

4

3

2

1



IC301 Pin70 is defective.
PB COLOR Signal disappear.

Q305 is defective.
EE, PB Screen doesn't appear.

IC301 Pin 69, 68 are defective.
PB and Recording is failed.
(IC301 doesn't operate.)

D301 or IC301 Pin 80
REC is defective.

IC301 Pin 84 is defective.
Audio Tracking is failed.

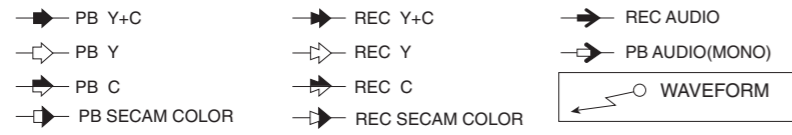
X301 is defective.
PB COLOR Signal disappear.

Q302, Q303, Q314
are defective.
No mono Audio Signal
in PB MODE.

Q301, Q306 are defective.
Normal Audio signal is not recorded.

OPTION

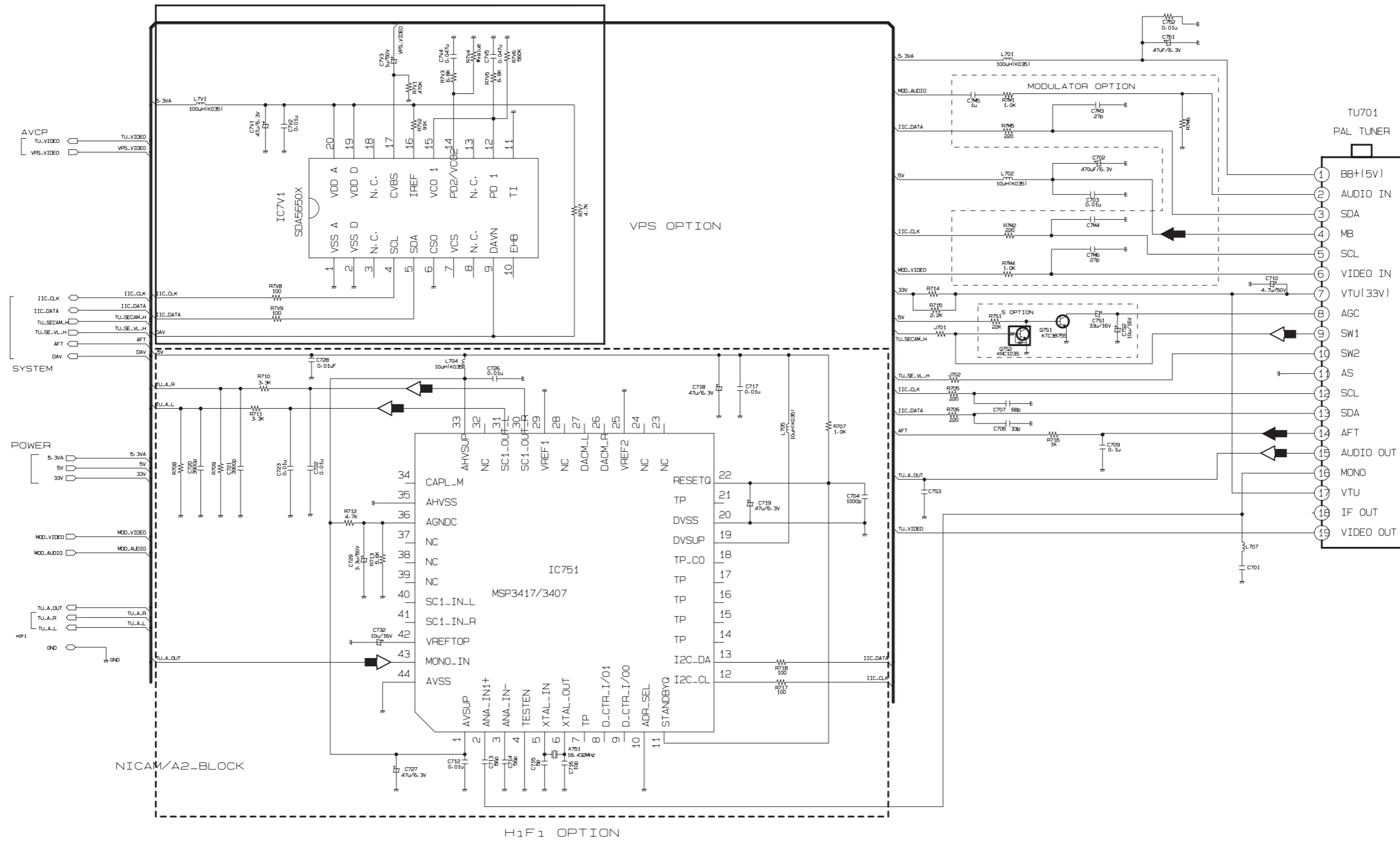
	HI-FI	MONO
C378	X	O
C379	X	O
R369	X	O
R370	X	O
R371	X	O
R372	X	O
R343	1K	X
R342	1K	O



OPTION
HI-FI MONO
C309 270P 220P

0' SCHEMATIC AVCP
2005 ZORNA COMBI PAL
3854R14953A

■ TUNER/IF CIRCUIT DIAGRAM



EE MODE(VIDEO)
 TU MODE (AUDIO)

D' SCHEMATIC TUNER
 2005 ZORAN COMBI PAL
 3854R14955A

Hi-Fi CIRCUIT DIAGRAM

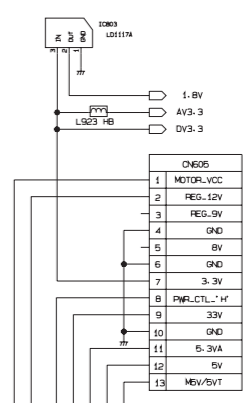
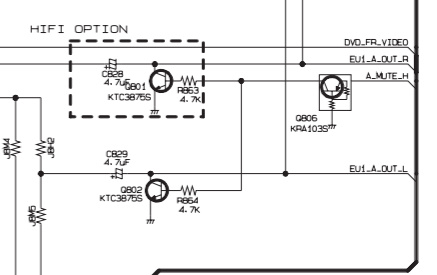
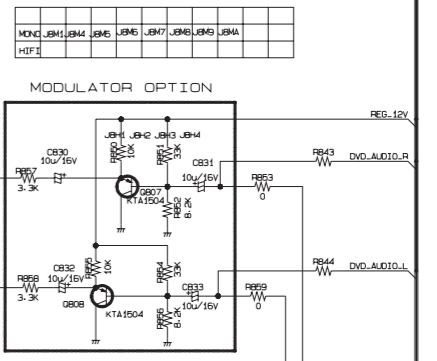
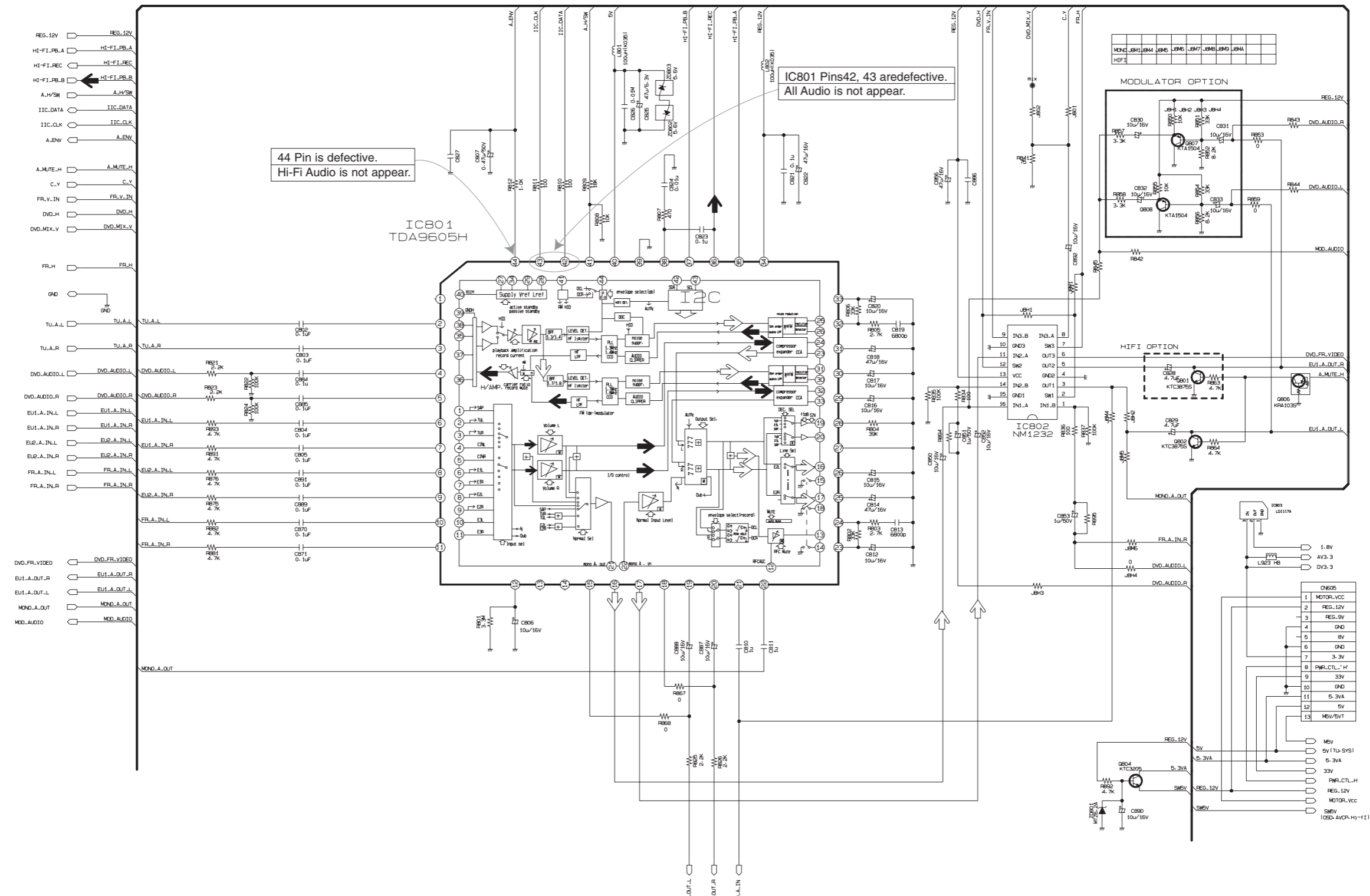
5

4

3

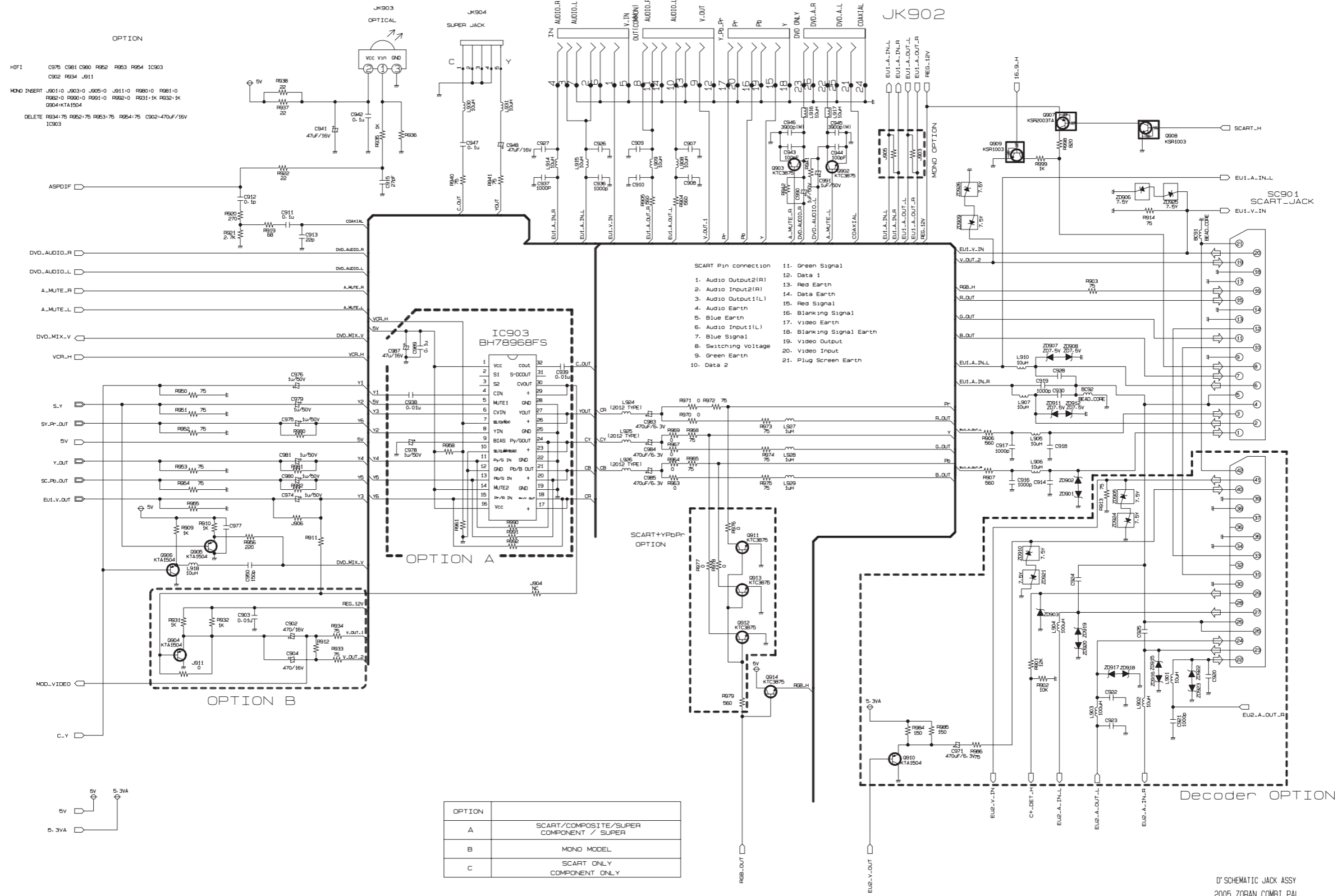
2

1



D' SCHEMATIC HI-FI
2005 ZORAN COMBI PAL
3854R14954A

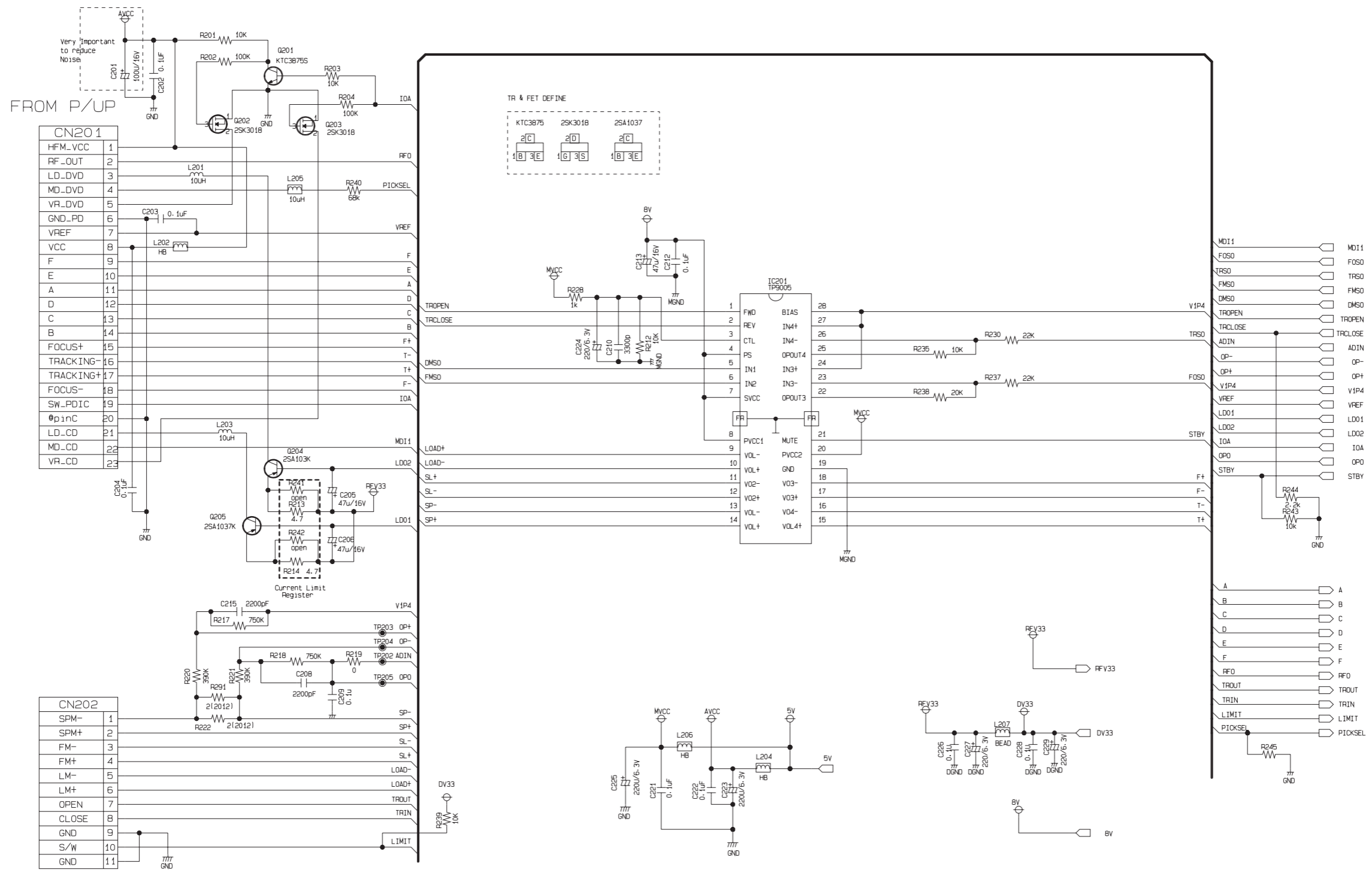
SCART(JACK) CIRCUIT DIAGRAM



OPTION	DESCRIPTION
A	SCART/COMPOSITE/SUPER COMPONENT / SUPER
B	MONO MODEL
C	SCART ONLY COMPONENT ONLY

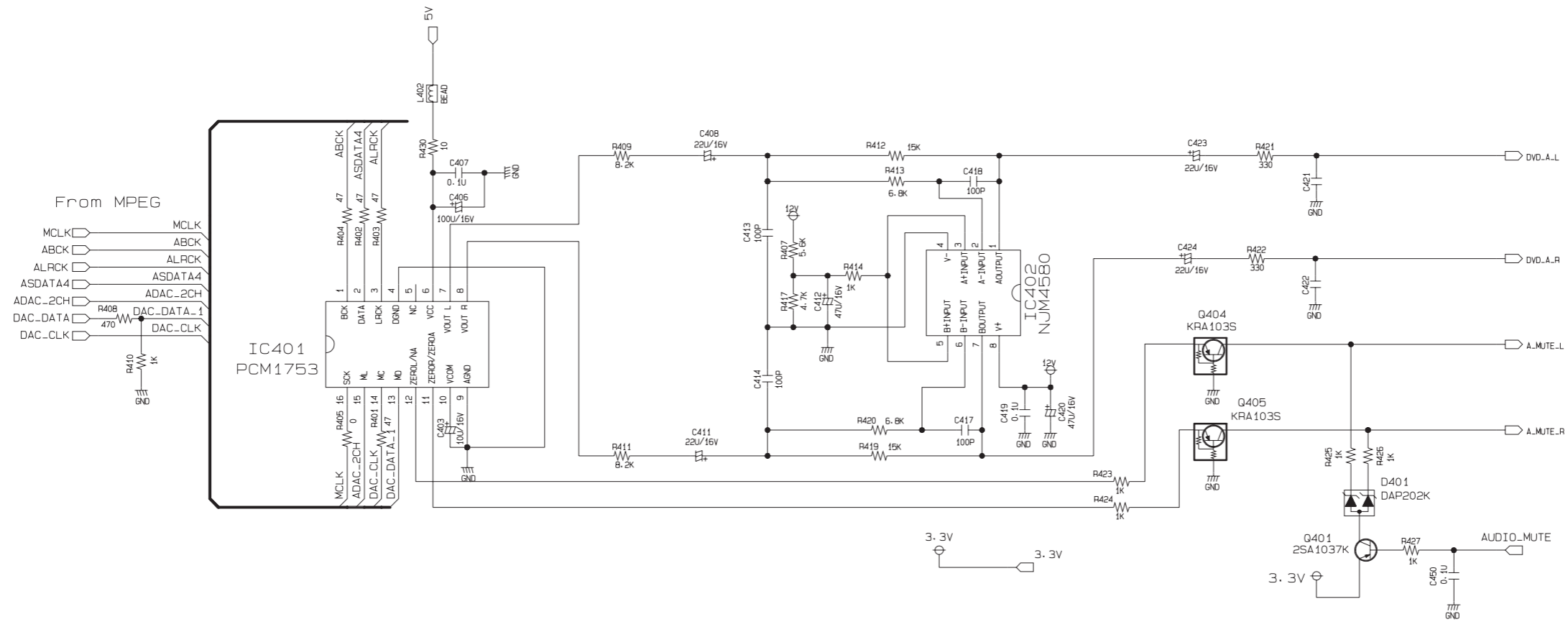
D' SCHEMATIC JACK ASSY
2005 ZORAN COMBI PAL
3854R14959A

DVD RF & DSP SERVO CIRCUIT DIAGRAM



D' SCHEMATIC SYSTEM
 2005. ZORAN COMBI PAL
 3854R14957B

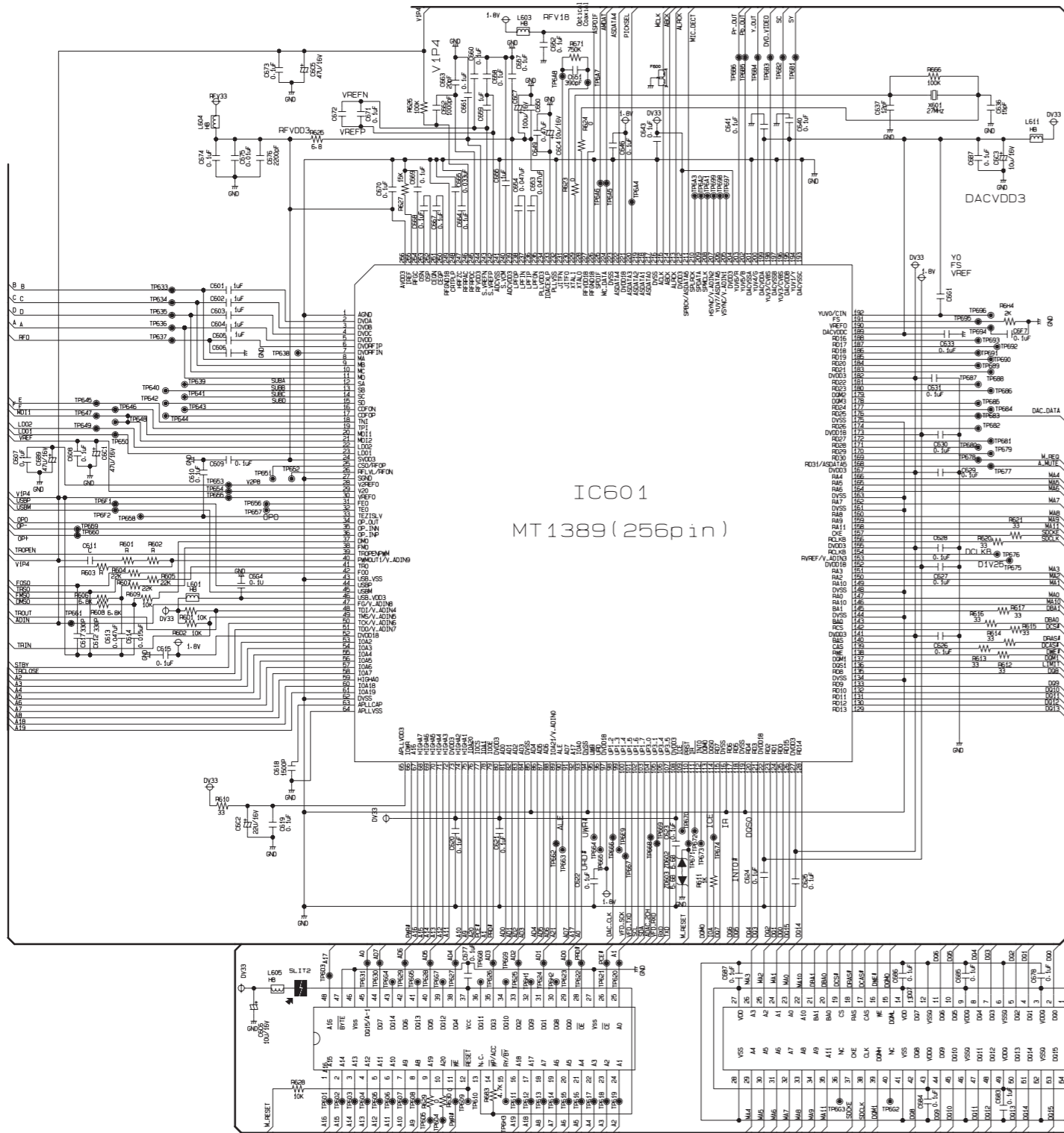
■ DVD AV/JACK CIRCUIT DIAGRAM



D' SCHEMATIC SYSTEM
 2005. ZORAN COMBI PAL
 3854R14958B

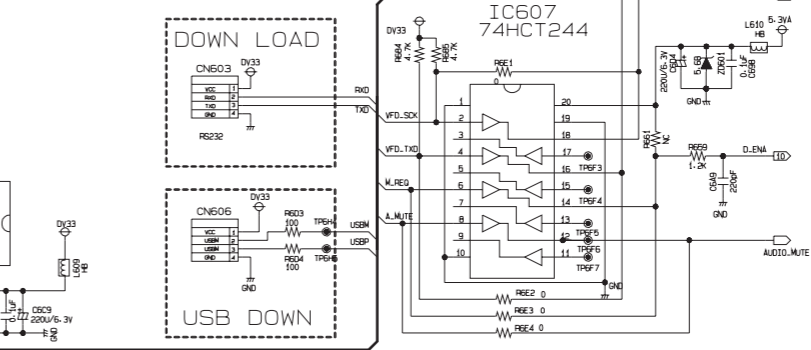
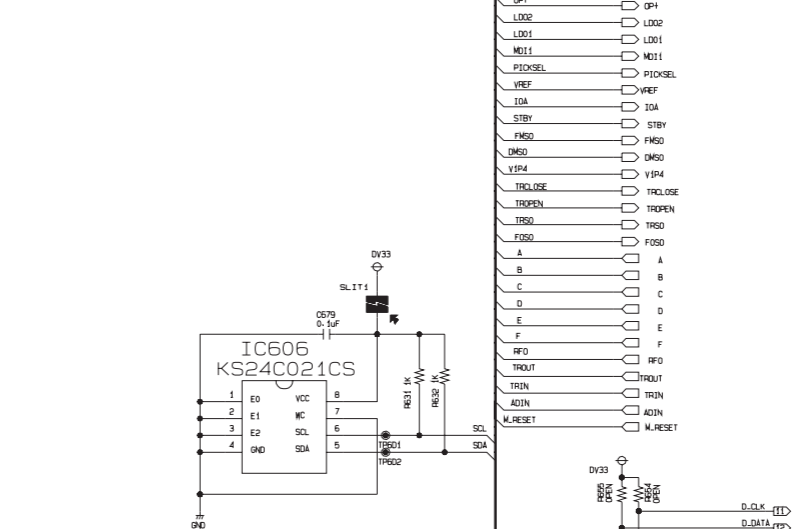
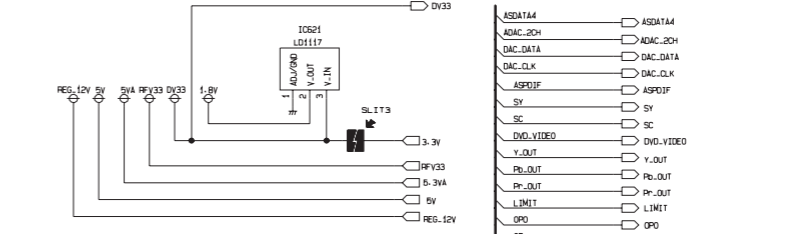
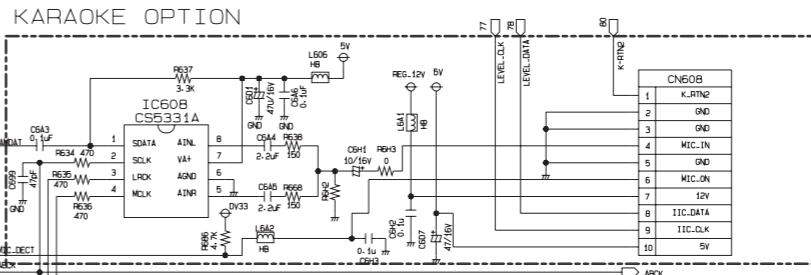
DVD SYSTEM CIRCUIT DIAGRAM

5
4
3
2
1



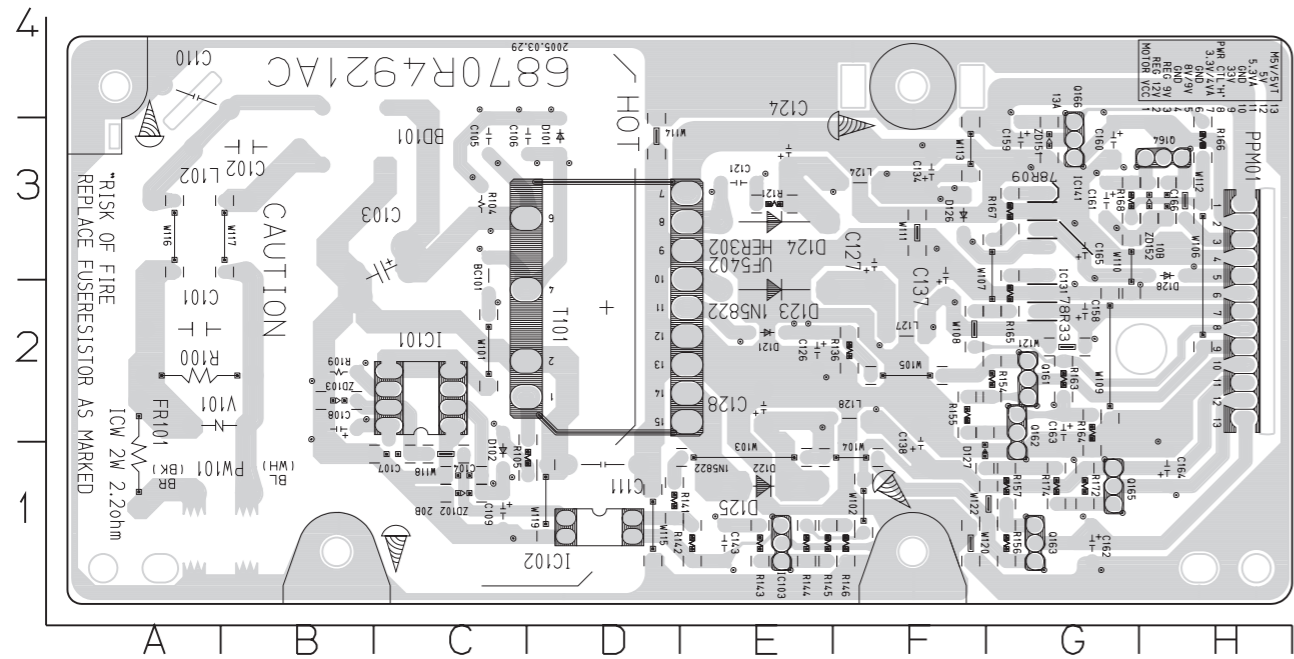
IC602 (16M)
FALSH IC MX29LV160-70

IC603 (64M)
ESMT_M12L64164A



D' SCHEMATIC SYSTEM
2005. ZORAN COMBI PAL
3854R14956B

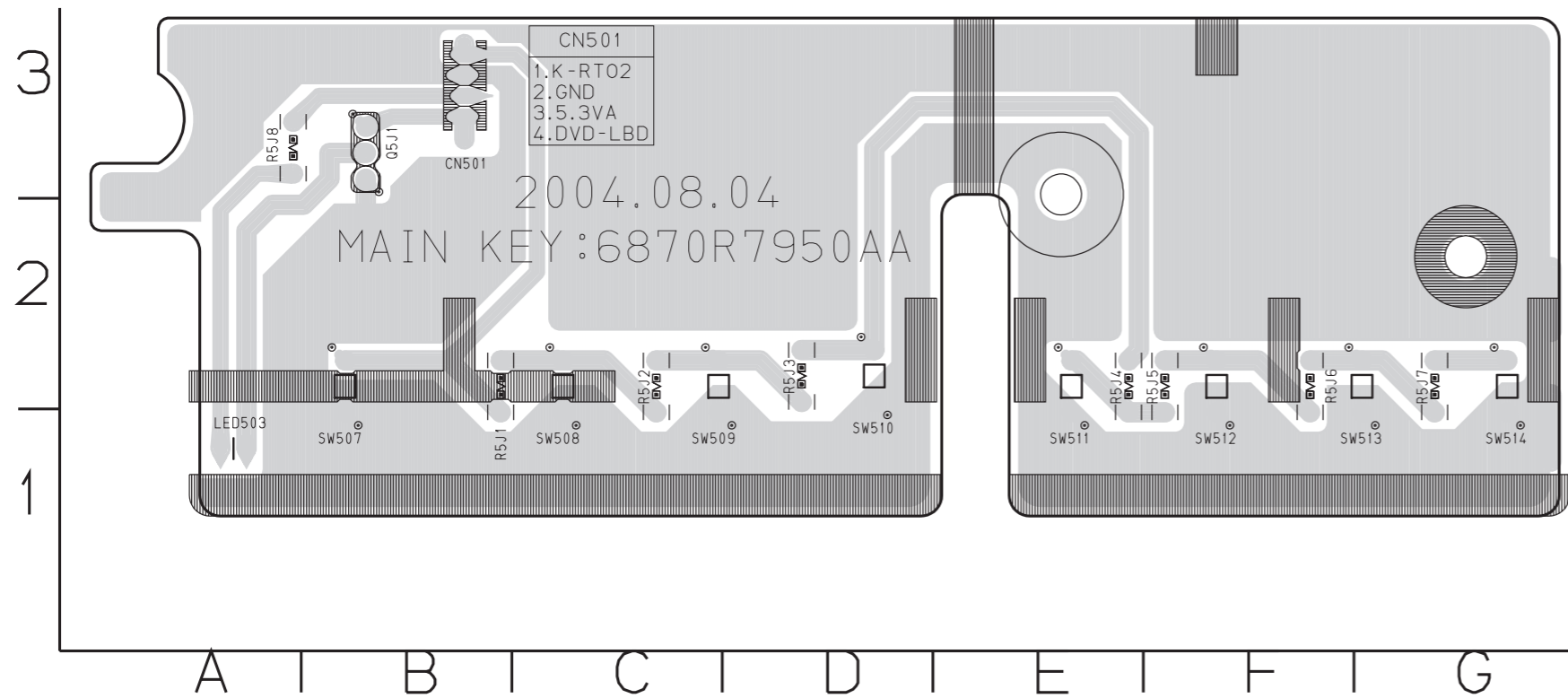
■ POWER BOARD



LOCATION GUIDE

BC101	C3	C159	G3	IC131	G2	R144	E1
BD101	B3	C160	G3	IC141	G3	R145	E1
C101	A2	C161	G3	L102	A3	R146	F1
C102	B3	C162	G1	L124	F3	R154	G2
C103	C3	C163	G2	L127	F2	R155	F2
C104	C1	C164	H1	L128	F2	R156	G1
C105	C3	C165	G3	PPM01	H3	R157	G1
C106	D3	C166	H3	PW101	B1	R163	G2
C107	C1	D101	D3	Q161	G2	R164	G2
C108	B2	D102	C1	Q162	G2	R165	G2
C109	C1	D121	E2	Q163	G1	R166	H3
C110	A4	D122	E1	Q164	H3	R167	G3
C111	D1	D123	E2	Q165	G1	R168	G3
C121	E3	D124	E3	Q166	G3	R172	G1
C124	E3	D125	E1	R100	A2	R174	G1
C126	E2	D126	F3	R104	C3	T101	D2
C127	F3	D127	F1	R105	D1	V101	A2
C128	E2	D128	H3	R109	B2	ZD102	C1
C134	F3	FR101	A1	R121	E3	ZD103	B2
C137	F3	IC101	C2	R136	F2	ZD151	G3
C138	F1	IC102	D1	R141	D1	ZD152	H3
C143	E1	IC103	E1	R142	E1		
C158	G2			R143	E1		

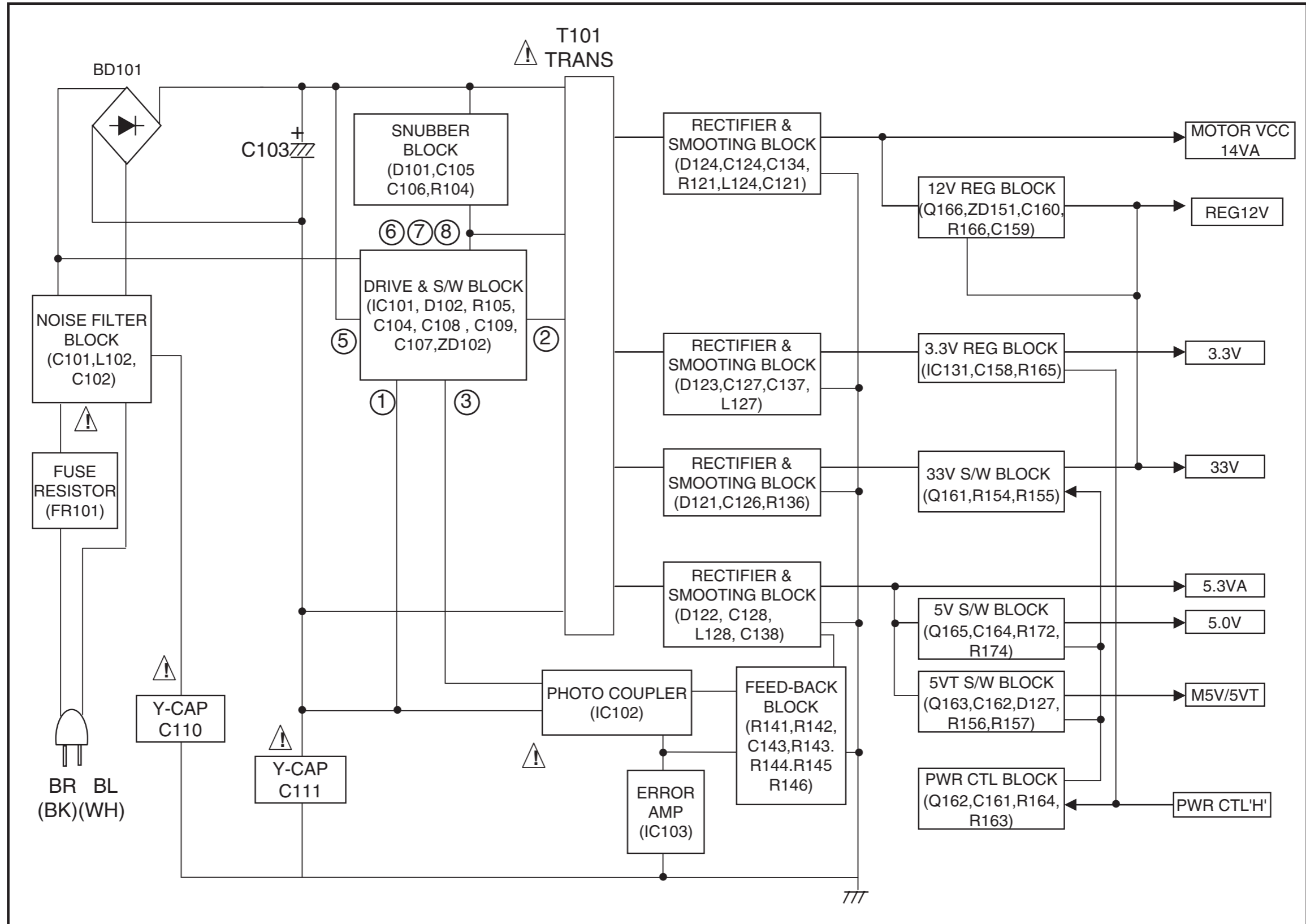
■ KEY BOARD



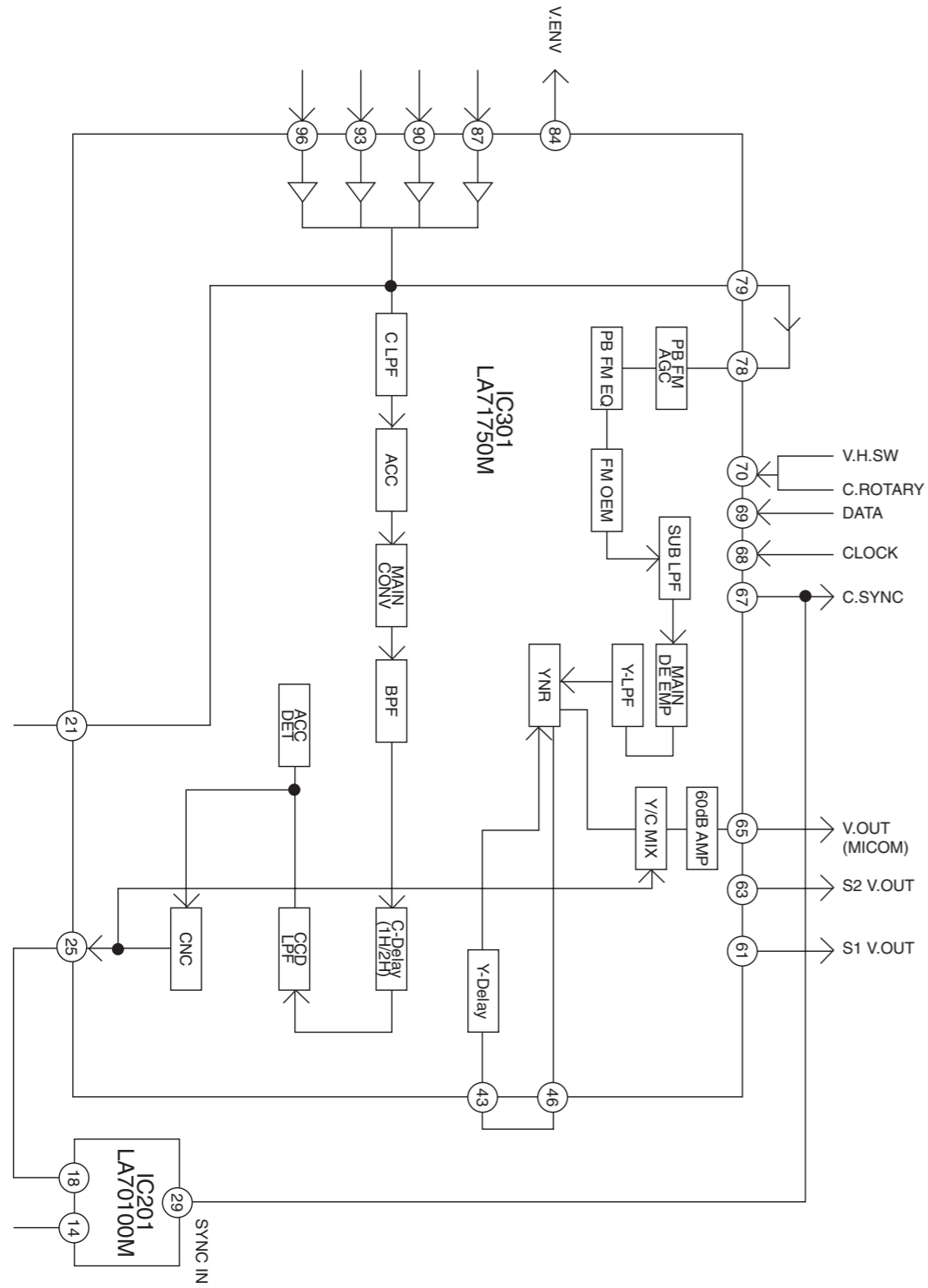
LOCATION GUIDE

CN501	B3
LED503	A1
Q5J1	B3
R5J1	B2
R5J2	C2
R5J3	D2
R5J4	E2
R5J5	F2
R5J6	F2
R5J7	G2
R5J8	A3
SW507	B2
SW508	C2
SW509	C2
SW510	D2
SW511	E2
SW512	F2
SW513	G2
SW514	G2

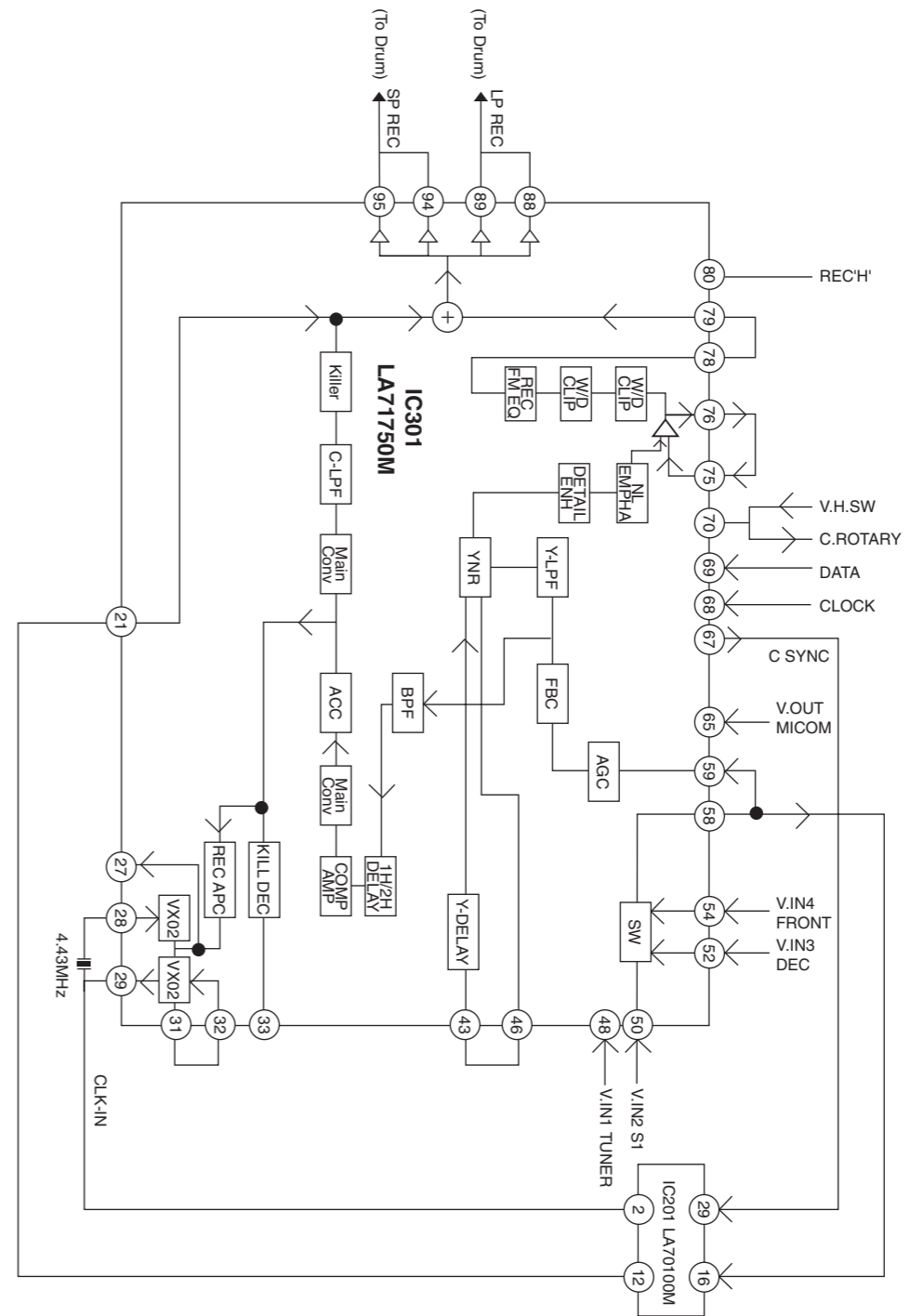
■ POWER(SMPS) BLOCK DIAGRAM



■ Y/C BLOCK DIAGRAM
(PB Mode)



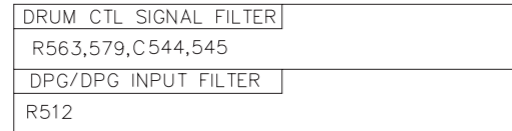
(REC Mode)



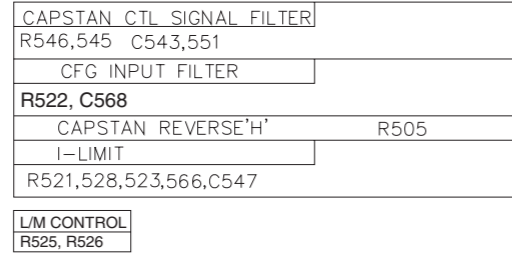
SYSTEM BLOCK DIAGRAM

PMCO1	
CFG	1
CAP.Vcc(13/24VA)	2
5.4VA	3
CAR.REV "H"	4
I-Limit	5
MOTOR GND	6
S.GND	7
DRUM(L/M) Vcc	8
CAP.CONTROL	9
L/M CONTROL	10
DPG/DFG	11
DRUM CTL	12

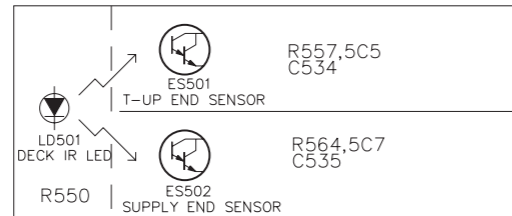
DRUM MOTOR CONTROL BLOCK



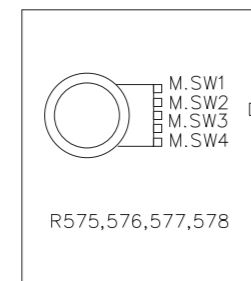
CAPSTAN MOTOR CONTROL BLOCK



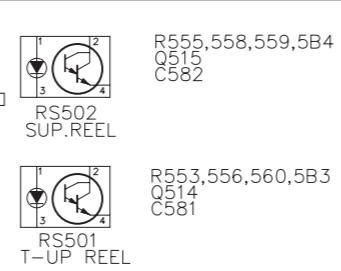
END SENSOR BLOCK



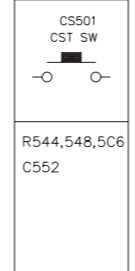
MODE SWITCH



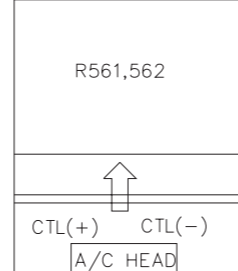
REEL SENSOR BLOCK



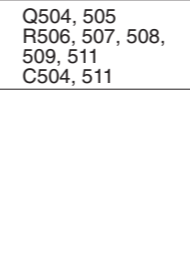
CST SWITCH



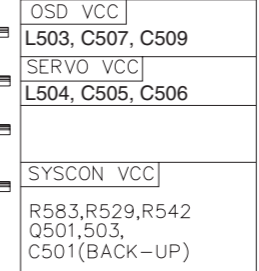
CTL AMP BLOCK



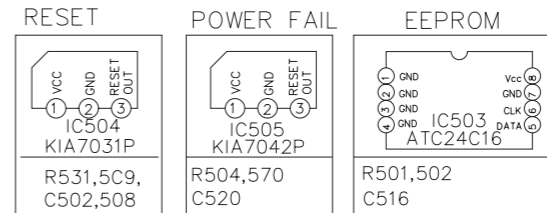
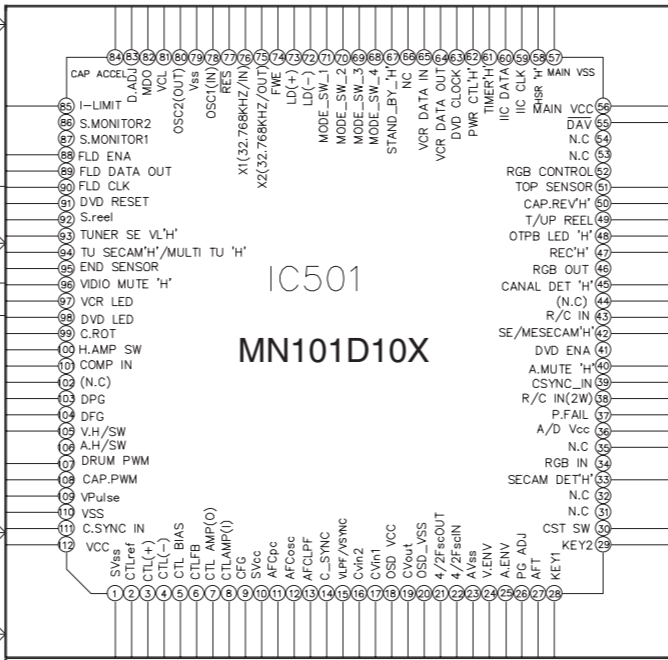
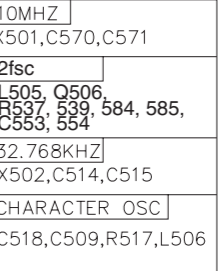
OSD BLOCK



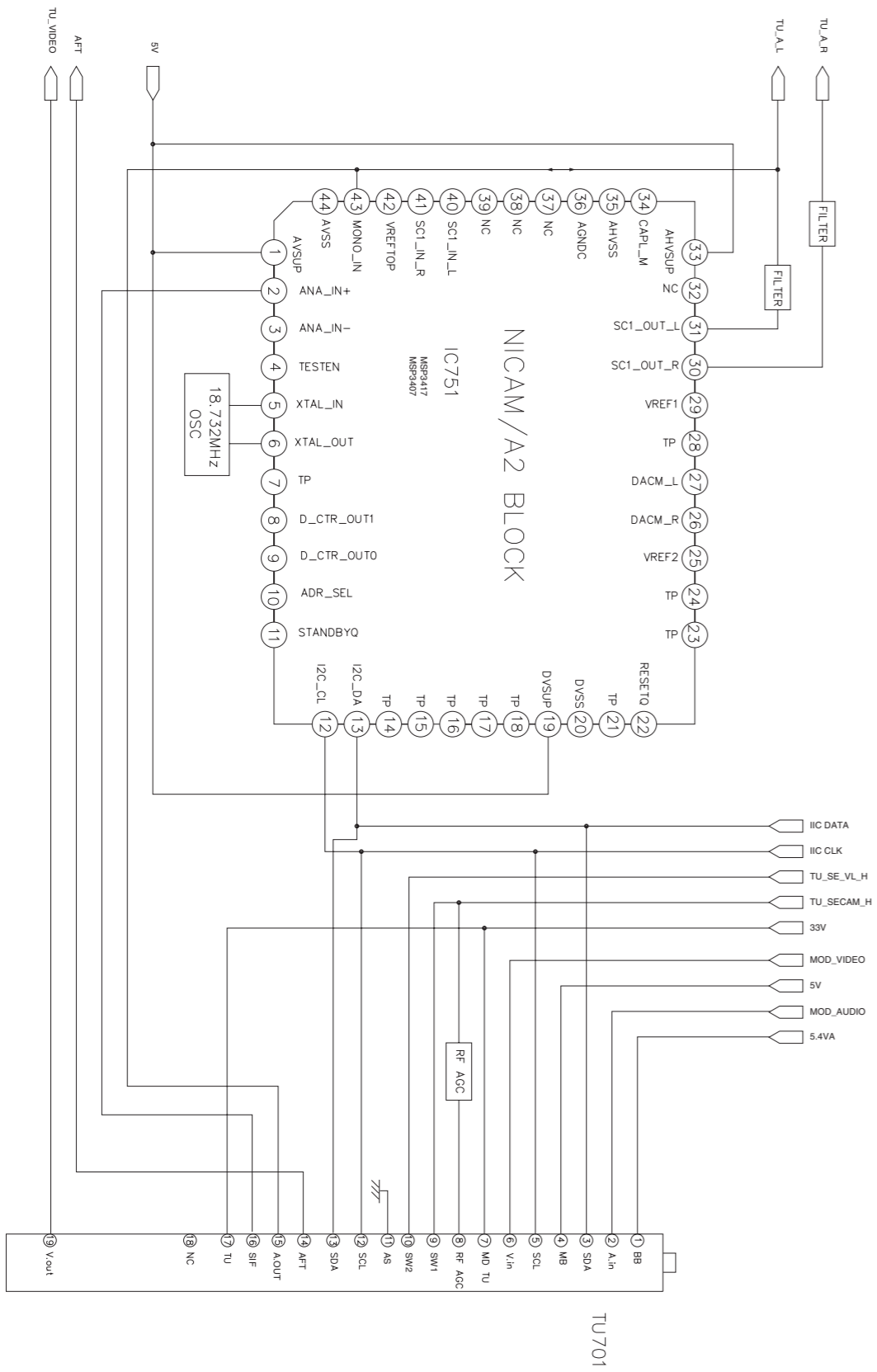
VCC INPUT BLOCK



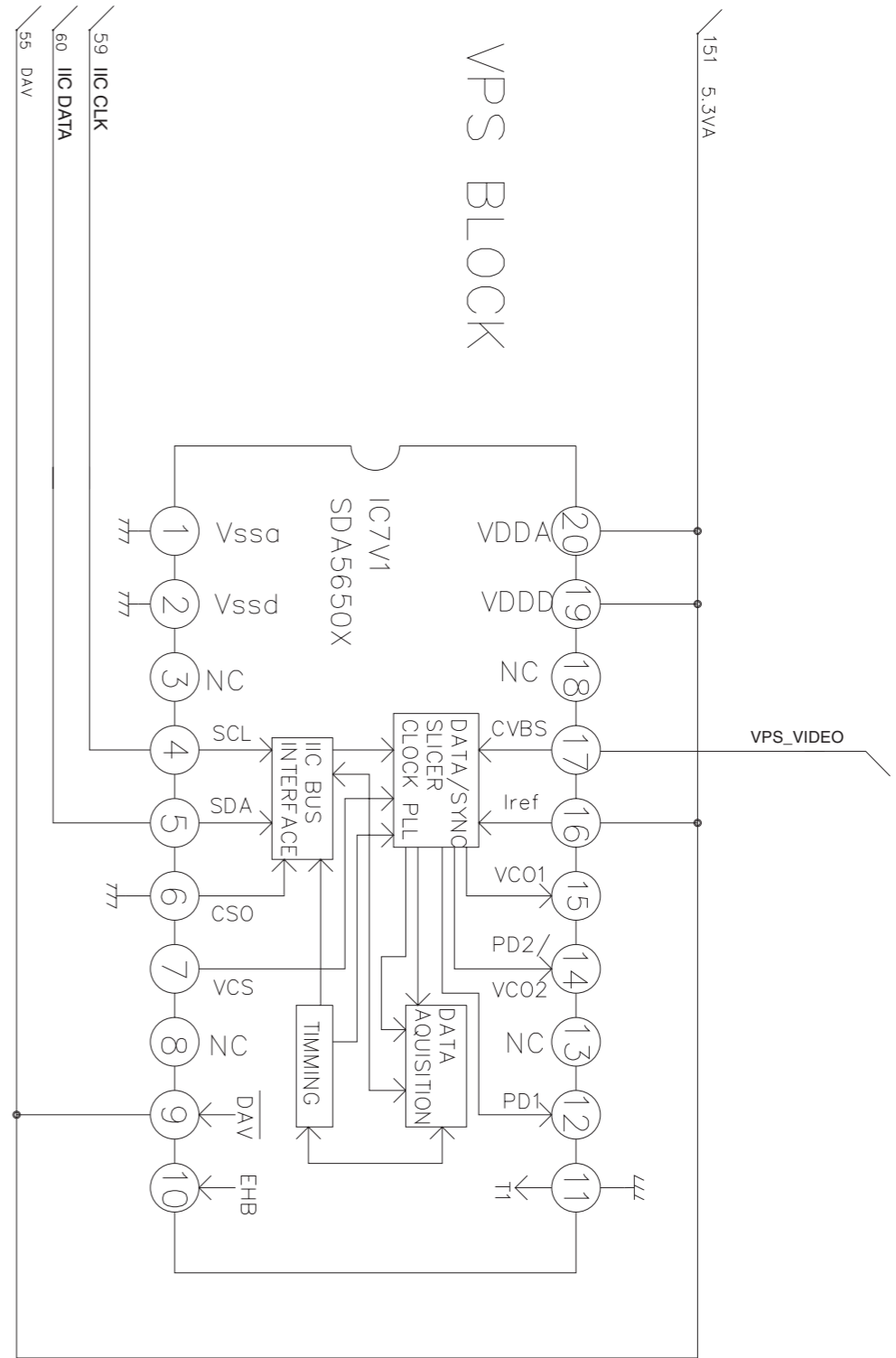
OSC BLOCK



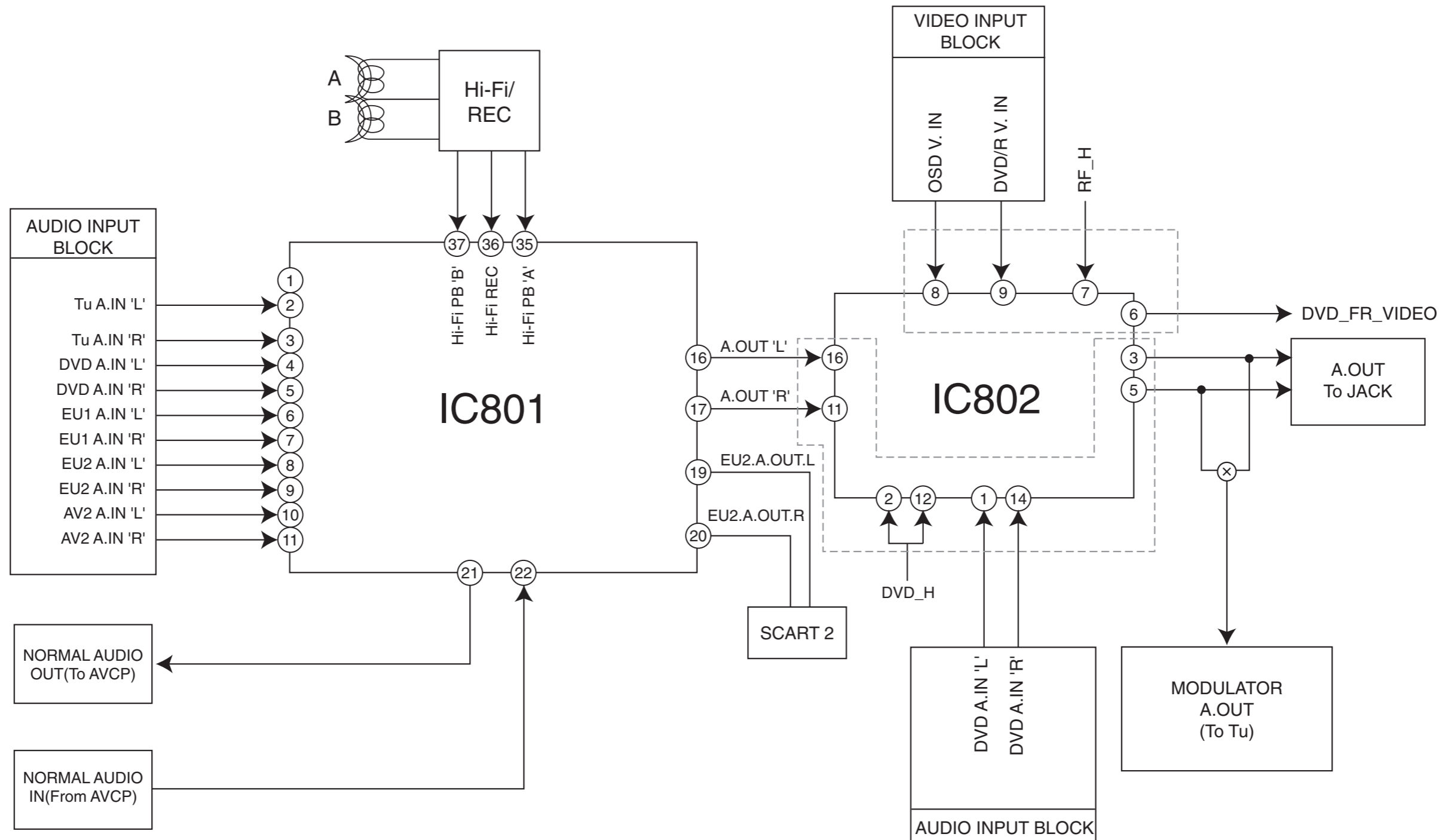
■ TUNER/IF, NICAM & A2 BLOCK DIAGRAM



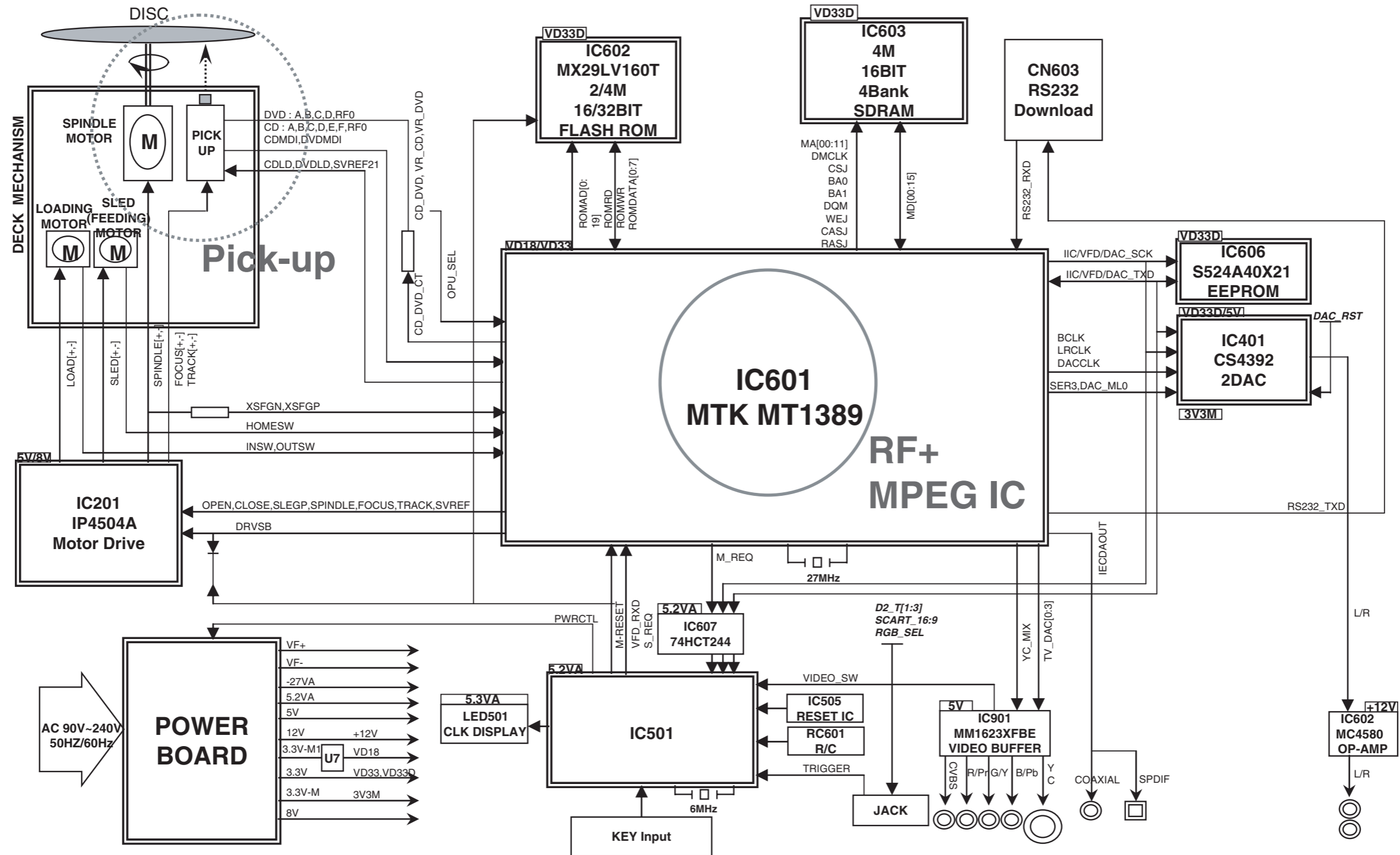
■ VPS BLOCK DIAGRAM



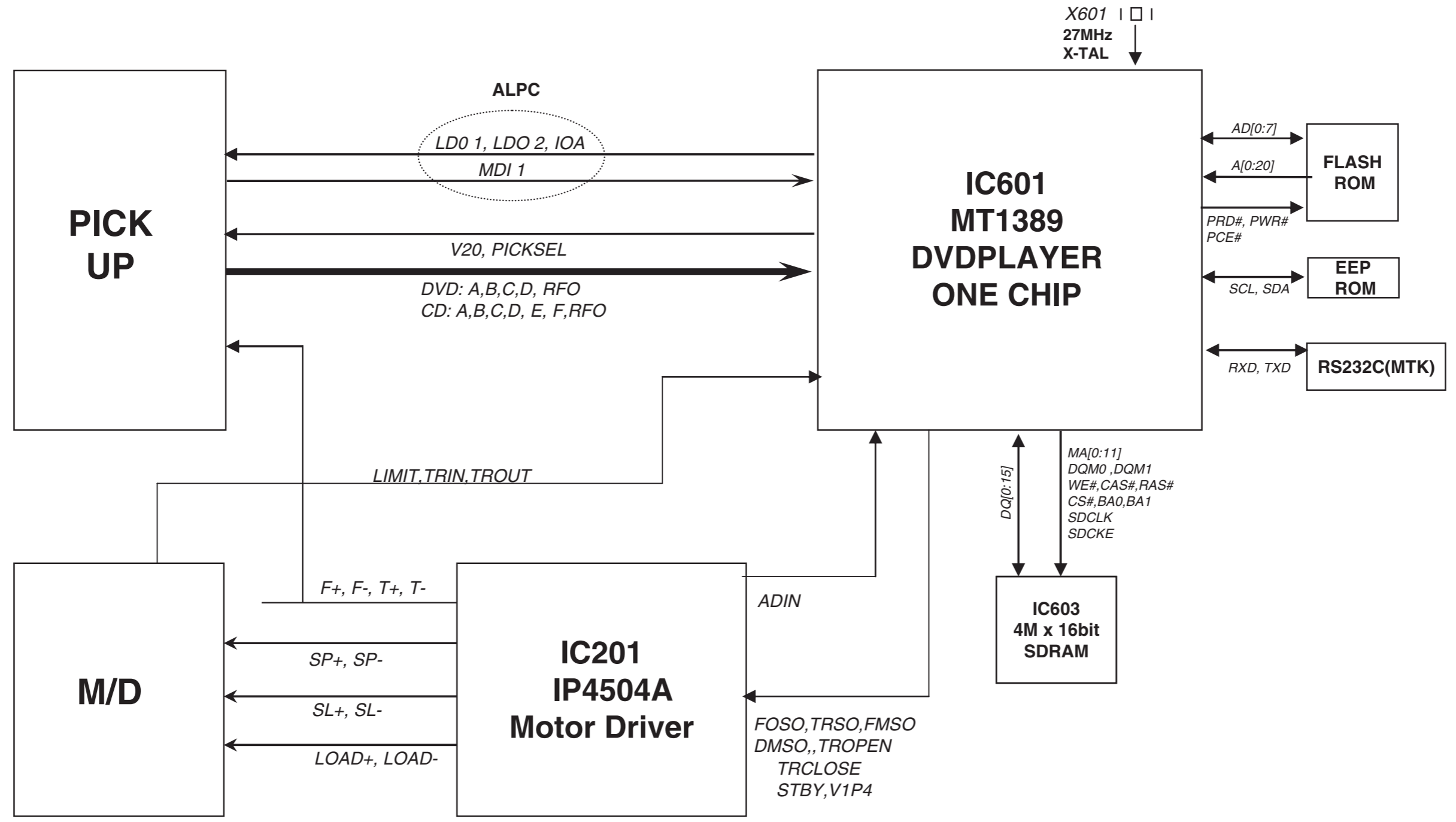
■ Hi-Fi AUDIO BLOCK DIAGRAM



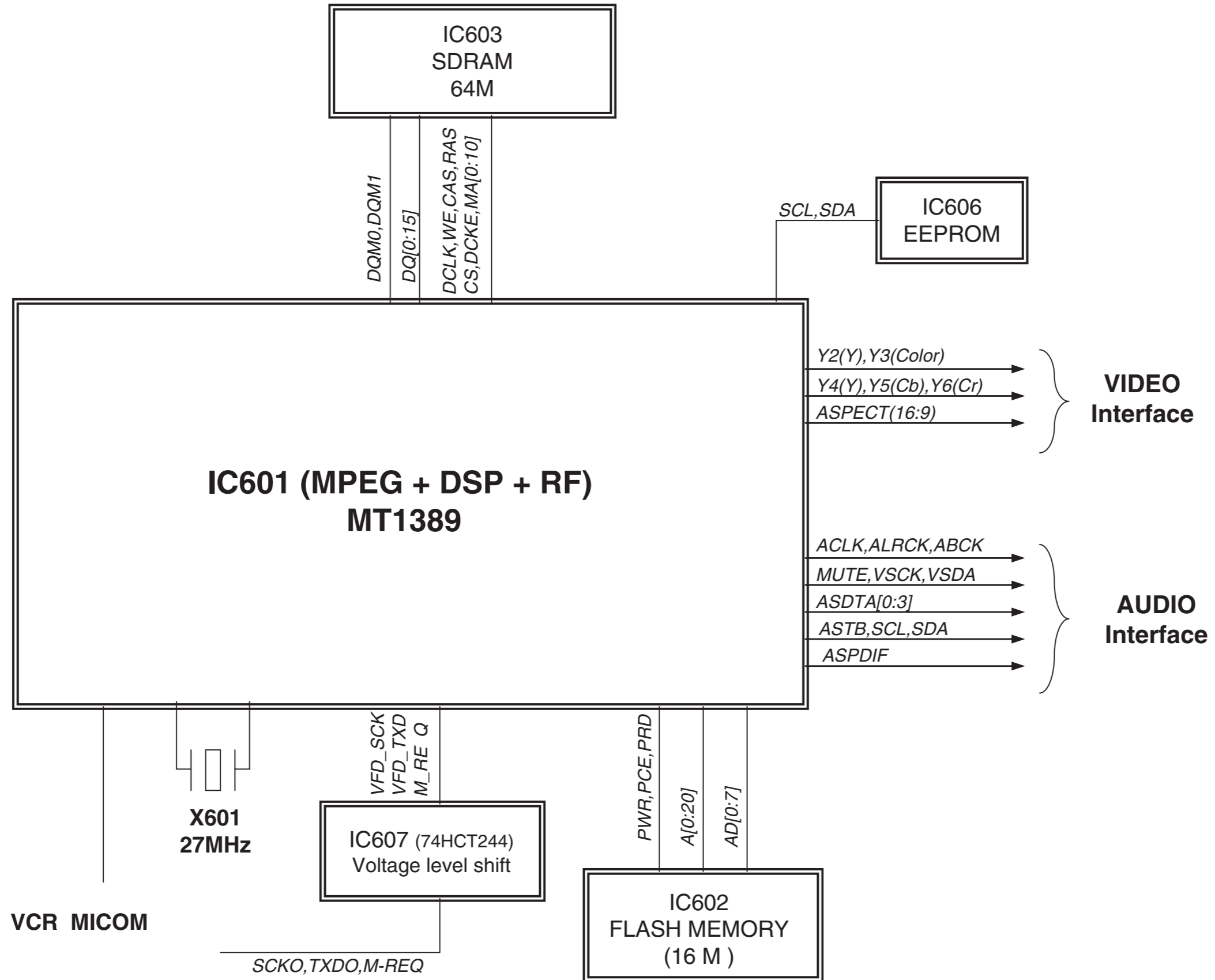
■ DVD OVERALL BLOCK DIAGRAM



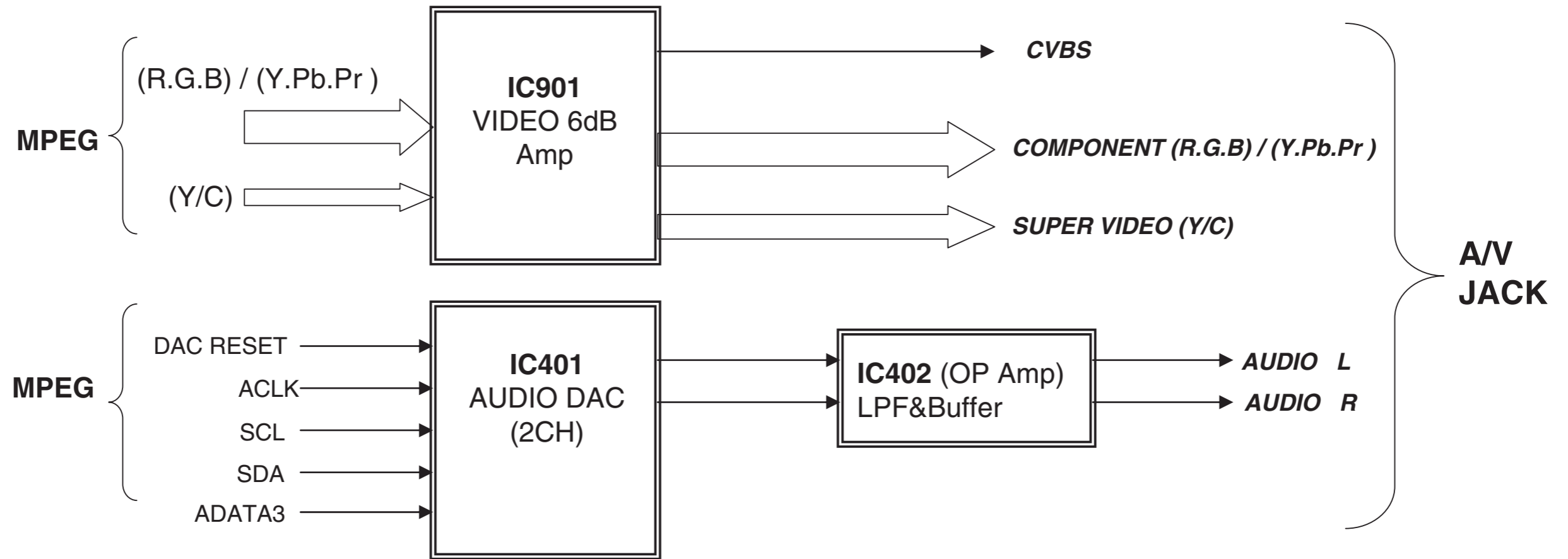
■ DVD SERVO BLOCK DIAGRAM



■ DVD MPEG & MEMORY BLOCK DIAGRAM



■ DVD VIDEO & AUDIO BLOCK DIAGRAM



VOLTAGE CHARTS

MODE PIN NO.	STOP	PLAY	MODE PIN NO.	STOP	PLAY	MODE PIN NO.	STOP	PLAY	MODE PIN NO.	STOP	PLAY	MODE PIN NO.	STOP	PLAY	MODE PIN NO.	STOP	PLAY	MODE PIN NO.	STOP	PLAY	MODE PIN NO.	STOP	PLAY	MODE PIN NO.	EE	PB	REC			
IC 201			6	5.8	5.73	52	1.8	1.71	107	3.2	3.21	162	1.47	1.61	217	0.003	0.002	15	4.62	3.8	21	0.71	1.2	12	2.45	5.14	IC 301			
2	2.54	2.3	7	5.8	5.73	53	3.25	3.19	108	3.25	3.21	163	0.002	0.002	218	0.003	1.2	16	2.13	0.002	22	0.03	0.007	13	2.94	2.55	1	4.8 V	4.84 V	0.99 V
3	2.55	2.3	8	12.6	12.49	54	3.25	3.2	109	0.02	0.03	164	2.25	0.04	219	0.003	0.6	17	2.11	1.15	23	0.16	0.22	14	2.44	1.25	2	0.11 V	0.014 V	0.81 V
4	2.53	2.3	IC 601			55	3.25	3.2	110	5.1	5.15	165	2.26	2.1	220	3	3.1	18	2.06	2.36	24	1.38	1.39	15	2.82	2.65	3	2.16 V	2.16 V	2.03 V
5	2.56	2.35	1	0.001	0.002	56	3.22	3.1	111	4.2	3.6	166	1.36	1.45	221	1.8	1.81	19	2.06	2.1	25	1.36	1.37	16	0.002	5.11	4	0.69 V	0.63 V	1.73 V
6	2.54	2.43	2	1.57	1.58	57	3.21	3.13	112	4.2	3.68	167	3.25	3.24	222	0.005	1.2	20	2.12	2.5	26	1.37	1.37	17	2.96	2.65	5	2.15 V	2.15 V	2.26 V
7	2.56	2.42	3	1.57	1.58	58	3.19	3.1	113	2.6	2.5	168	0.003	0.003	223	0	0	21	2.06	1.7	27	3.27	3.26	18	0.002	5.11	6	2.16 V	2.15 V	2.06 V
8	0.001	0.001	4	1.57	1.58	59	3.25	3.1	114	3.2	3.1	169	0.002	0	224	0.3	0.01	22	2.07	1.9	28	0.002	0.001	19	0.001	0.001	7	2.15 V	2.15 V	2.1 V
9	1.39	1.38	5	1.58	1.58	60	3.25	3.12	115	1.6	1.5	170	0.03	0.02	225	1.6	1.61	23	2.05	1.88	29	1.36	1.95	20	5.24	5.14	8	2.15 V	2.15 V	2.1 V
10	3.5	3.37	6	1.58	1.59	61	0.001	0.002	116	0.001	0.003	171	0.03	0.01	226	0	0	24	1.9	2	30	2.28	1.46	31	2.25	2.25	9	2.14 V	2.14 V	2.73 V
11	0.004	0.004	7	1.58	1.59	62	0	0.002	117	0.4	0.02	172	1.8	1.79	227	1.8	1.8	25	1.8	2	32	2.25	2.25	32	1.49	1.68	10	2.16 V	2.16 V	2.66 V
12	0.002		8	1.98	2.02	63	1.77	1.72	118	1.8	1.7	173	1.8	1.78	228	0.6	0.7	26	0	0.001	33	1.49	1.68	33	0.01	0.01	11	2.23 V	2.27 V	2.8 V
13	3.97	3.96	9	1.98	2.02	64	0	0.002	119	0	0	174	3.25	3.24	229	0.6	0.7	27	0.001	0	34	0.01	0.01	34	0.02	0.007	12	1.56 V	0.002 V	2.0 V
14	3.97	3.96	10	1.98	2.02	65	3.24	3.1	120	0.9	0.8	175	0.001	0.003	230	1.37	1.1	28	0	0	35	0.02	0.007	35	0.004	0.05	13	2.14 V	2.14 V	0.095 V
15	3.99	2.71	11	1.99	2.03	66	3.25	3.21	121	1	0.8	176	4	4.1	231	1.34	1.12	29	2.3	1.65	36	0.02	0.01	36	0.02	0.01	14	0.022 V	0.022 V	2.05 V
16	3.96	5.21	12	1.46	1.32	67	0.001	0.002	122	1.8	1.8	177	3.25	3.2	232	0	0	30	1.48	1.4	37	1.03	0.72	37	1.03	0.72	15	2.14 V	2.14 V	2.08 V
17	3.98	4.04	13	1.46	1.33	68	0.002	0.002	123	1.38	1.31	178	3.26	3.2	233	1.8	1.8	31	1.17	1.36	38	1.71	1.71	38	1.71	1.71	16	4.85 V	0.146 V	4.68 V
18	3.96	3.88	14	1.46	1.31	69	0.001	0.003	124	1.23	1.2	179	4.1	3.61	234	3.1	3	32	1.5	1.4	39	2.59	2.7	39	2.59	2.7	17	2.14 V	2.14 V	2.09 V
19	8	8	15	1.46	1.32	70	0.001	0.003	125	1.3	1.25	180	0.03	0.02	235	1	1.7	33	0.66	1.3	40	2.59	2.7	40	2.59	2.7	18	4.8 V	4.86 V	4.73 V
20	1.38	1.38	16	1.45	1.35	71	3.25	3.24	126	0.34	0.35	181	0.03	0.02	236	1.3	1.67	34	1.5	1.4	41	0.01	0.05	41	0.01	0.05	19	3.88 V	3.92 V	2.72 V
21	1.38	1.73	17	1.45	1.35	72	3.25	3.24	127	3.25	3.2	182	3.25	3.2	237	0	0.001	35	0.9	1	42	0.02	0.01	42	0.02	0.01	20	2.31 V	0.003 V	0.006 V
22	1.38	1.38	18	1.99	2.2	73	3.25	3.24	128	1.8	1.81	183	0.03	0.03	238	0.9	0.4	36	1.5	1.4	43	1.33	1.1	43	1.33	1.1	21	3 V	1.68 V	3.02 V
23	3.24	3.22	19	1.99	2.1	74	0.001	0.003	129	2	1.9	184	0.03	0.03	239	3.1	3.07	37	3.2	3.26	44	3.27	3.26	44	3.27	3.26	22	3.2 V	2.62 V	3.2 V
24	5.07	4.87	20	0	0.1	75	0	0.002	130	1.04	0.8	185	0.03	0.03	240	0.1	0.1	38	1.5	1.58	45	1.35	1.11	45	1.35	1.11	23	3.2 V	2.62 V	3.2 V
25	2.59	2.46	21	0	0	76	0.001	0.001	131	1.8	1.75	186	0.03	0.03	241	0	0	39	1.5	1.4	46	1.33	1.02	46	1.33	1.02	24	4.85 V	4.85 V	4.75 V
26	2.55	2.48	22	3.2	3.1	77	0.001	0.002	132	0.002	0.003	187	0.03	0.03	242	0.01	0.1	40	1.69	2	47	0.002	0.001	47	0.002	0.001	25	0.121 V	3.4 V	0.19 V
27	2.59	2.47	23	3.2	3.1	78	2.44	2.41	133	0.001	0.9	188	0.03	0.01	243	0.01	0.1	41	1.3	1.4	48	1.36	0.92	48	1.36	0.92	26	1.65 V	1.25 V	1.6 V
28	2.52	2.43	24	3.2	3.1	79	0.001	0.003	134	0.002	0.001	189	3.23	3.21	244	3.1	3.01	42	1.5	1.2	49	1.3	0.92	49	1.3	0.92	27	2.16 V	2.1 V	2.14 V
IC 401			25	1.37	1.8	80	3.2	3.1	135	1.06	0.99	190	1.23	1.24	245	1.09	1.65	43	1.4	1.4	50	3.27	3.26	50	3.27	3.26	28	3.75 V	3.7 V	3.66 V
1	3.25	3.24	26	0.8	0.07	81	3.2	3.1	136	3.24	3.2	191	1.24	1.24	246	1.35	1.36	44	1.3	1.3	51	1.48	1	51	1.48	1	29	2.43 V	2.46 V	2.34 V
2	3.25	3.23	27	0	0.003	82	3.27	3.24	137	3.06	3	192	2.22	2.08	247	0.01	0.1	45	1.9	1.98	52	1.91	0.5	52	1.91	0.5	30	0.002 V	0.002 V	0.005 V
3	0.002	1.21	28	2.6	2.7	83	3.23	3.16	138	3.17	3	193	0	0.001	248	1.5	3.07	46	0.001	0.002	53	0.002	0.001	53	0.002	0.001	31	4.76 V	4.58 V	4.72 V
4	1.62	1.61	29	1.9	1	84	3.2	3.1	139	3.1	3	194	0.3	0.4	249	0	0.001	47	0.001	0.002	54	0.33	1.47	54	0.33	1.47	32	4.68 V	4.58 V	4.71 V
5	1.62	1.61	30	1.38	1.2	85	0.001	0.003	140	3.26	3.1	195	3.23	3.21	250	0.01	0.24	48	0.001	0.002	55	0.002	0.001	55	0.002	0.001	33	2.88 V	2.86 V	2.8 V
6	1.57	1.56	31	1.34	1.21	86	3	2.91	141	3.26	3.1	196	0.7	0.7	251	0.01	0.24	49	0	0.002	56	0.002	0.001	56	0.002	0.001	34	0.061 V	0.06 V	0.061 V
7	0.001	0	32	0.8	1.3	87	3	2.99	142	3.04	3	197	0	0.001	252	1.48	1.52	50	3.27	3.25	57	3.27	3.26	57	3.27	3.26	35	3.02 V	2.34 V	2.99 V
8	3.27	3.26	33	0.8	1.3	88	3	2.9	143	1.27	1.12	198	3.2	3.21	253	1.47	1.51	51	1.9	1.98	58	1.91	0.5	58	1.91	0.5	36	3.5 V	2.84 V	3.4 V
9	3.27	3.26	34	3	2.8	89	0.007	0.008	144	0.002	0.003	199	3.23	3.2	254	1	1.04	52	0.001	0.002	59	0.002	0.001	59	0.002	0.001	37	1.7 V	1.76 V	1.61 V
10	0.001	0	35	3.28	2.8	90	0.001	0.003	145	1.57	1.6	200	0.002	0.4	255	0.9	0.98	53	0.001	0.002	60	0.002	0.001	60	0.002	0.001	38	2 V	2.05 V	1.94 V
11	5.02	4.81	36	1.38	2.4	91	2.99	1.2	146	0.04	0.04	201	0.002	0.002	256	3.2	3.18	54	1.25	1.1	61	3.27	3.26	61	3.27	3.26	39	8.65 V	8.6 V	8.38 V
12	2.38	2.3	37	1.38	2.6	92	0.001	0.003	147	1.47	1.39	202	0.2	0.4	IC 602			55	3.27	3.26	62	3.27	3.26	62	3.27	3.26	40	0.002 V	0.003 V	0.006 V
13	4.9	0.001	38	1.37	1.3	93	3.27	3.24	148	0.002	0.003	203	0.2	0.4	1	0.002	0.2	56	1.38	1.14	63	0.02	0.001	63	0.02	0.001	41	0.002 V	0.003 V	0.006 V
14	2.4	2.36	39	0.003	0	94	0.001	0.002	149	1.67	1.55	204	3.25	3.23	2	3.2	0.4	57	1.06	1.14	64	0.02	0.001	64	0.02	0.001	42	4.8 V	4.8 V	4.68 V
15	2.4	2.36	40	1.37	1.3	95	3.2	3.2	150	1.59	1.6	205	2.96	2.93	3	3.2	3.07	58	0.93	1.47	65	3.27	3.26	65	3.27	3.26	43	2.4 V	2.67 V	2.17 V
16	0.001	0.001	41	1.41	1.31	96	3.97	3.7	151	1.8	1.7	206	3.7	3.61	4	3.2	3.2	59	3.27	3.26	66	0.002	0.002	66	0.002	0.002	44	13.8 mV	3.86 V	0.03 V
17	5.1	4.93	42	1.39	1.3	97	1.8	1.8	152	0.02	0.01	207	2.9	2.91	5	3.2	3.01	60	1	1.57	67	3.27	3.24	67	3.27	3.24	45	2.5 V		

VOLTAGE CHARTS

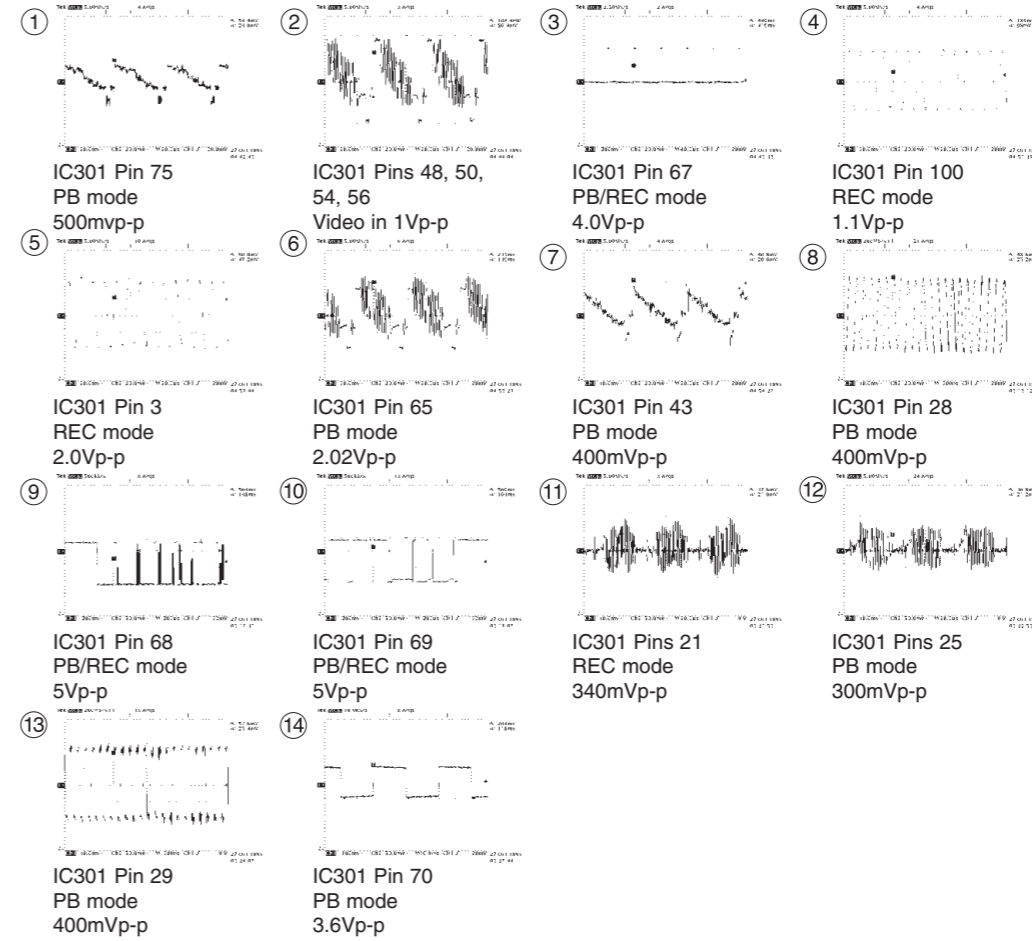
MODE PIN NO.	EE	PB	REC	MODE PIN NO.	EE	PB	REC	MODE PIN NO.	EE	PB	REC	MODE PIN NO.	EE	PB	REC	Tran-sistor	STOP +	STOP -	PLAY +	PLAY -	Tran-sistor	STOP +	STOP -	PLAY +	PLAY -
56	2.24 V	2.57 V	2.22 V	11	4.16	3.19	3.19	67	2.56	2.2	1.4	22	3.82 V	3.82 V	3.82 V	33	3.86	3.8	3.87		C201	5.14	0	5.15	0
57	1.95 V	2.28 V	0.006 V	12	4.15	3.19	3.1	68	0.2	1.8	2.4	23	3.86 V	3.84 V	3.86 V	34	12	12.3	12.2		C208	3.26	3.12	3.24	2.29
58	3 V	2.55 V	3.01 V	13	2.4	2.6	2.68	69	2.57	2.56	1.58	24	3.87 V	3.84 V	3.87 V	35	0.6	0.64	4.24		C209	3.26	3.12	3.24	3.11
59	2.9 V	2.93 V	2.92 V	14	5.12	5.1	5.1	70	2.57	2.56	2.56	25	3.87 V	3.9 V	3.87 V	36	0	0.63	0		C214	5.26	0	5.2	0
60	1.47 V	1.54 V	1.48 V	15	1.7	1.6	1.8	71	0	0	0	26	0.76 V	0.003 V	0.76 V	37	0.62	0.63	4.24		C221	0	2.11	0	2.11
61	1.8 V	2.44 V	1.79 V	16	0	0	0	72	2.57	2.57	2.55	27	0.001 V	0.003 V	0.005 V	38	0	0	4.28		C310	0.00	0.00	0.00	0.00
62	0.087 V	0.09 V	0.088 V	17	5.18	5	5	73	5.1	5.1	5.1	28	3.84 V	3.83 V	3.83 V	39	0	0	0		C311	2.34	0.38	2.32	0.00
63	1.8 V	2.55 V	1.78 V	18	5.1	5	5	74	2.5	2.5	2.88	29	3.86 V	3.86 V	3.86 V	40	5	5	5		C312	2.34	0.00	2.32	0.00
64	0.002 V	0.003 V	0.006 V	19	2.6	2.5	2.56	75	2.5	2.5	2.2	30	0.77 V	0.76V	0.76 V	41	0	0.9	0.9		C315	2.35	0.00	2.33	0.00
65	1.71 V	0.002 V	1.69 V	20	0	0	0	76	2.5	2.5	2.56	31	3.87 V	3.87 V	3.86 V	42	4.95	4.87	4.83		C318	2.30	0.00	2.30	0.00
66	0.002 V	0.003 V	0.006 V	21	0	0	0	77	0	0	0	32	3.86 V	3.87 V	3.87 V	43	4.86	4.79	4.78		C319	1.54	0.00	1.63	0.00
67	0.005 V	0.07 V	0.44 V	22	1.9	2.2	1.8	78	0	0	0	33	3.86 V	3.86 V	3.86 V	44	0.06	0.7	0.14		C324	3.04	1.74	3.00	1.46
68	4.8 V	4.8 V	4.78 V	23	2	2.57	2.57	79	5.13	5.1	5.1	34	11.84 V	11.76 V	11.77 V	Q 305				C325	5.04	0.00	5.00	0.00	
69	4.7 V	4.7 V	4.7 V	24	0.1	0	0	80	5.13	5.1	5.1	35	0.64 V	0.44 V	4.3 V	BASE	1.8	1.82	1.9		C327	1.45	0.00	1.59	0.00
70	7.75 V	2.55 V	5.55 V	25	5.1	5.1	5	81	4.4	4.4	4.4	36	0.64 V	0.62 V	4.3 V	EMITTER	2.5	2.5	2.54		C328	2.28	0.00	2.28	0.00
71	5.55 V	0.008 V	0.008 V	26	2.6	2.5	2.53	82	0	2.4	0	37	0.64 V	0.63 V	4.28 V	COLECTOR	0	0	0		C329	2.27	0.49	2.27	0.53
72	4.84 V	4.8 V	4.72 V	27	0	0	4.6	83	0	2.1	0	38	0.005 V	0.008 V	4.32 V	Q 801				C330	4.02	0.00	4.02	0.00	
73	2.21 V	2.2 V	2.24 V	28	4.85	4.85	4.84	84	0	0	0	39	0.002 V	0.005 V	0.006 V	BASE	0.68	-2	0.68		C331	2.57	1.74	2.27	1.74
74	2.45 V	2.6 V	2.43 V	29	0	0	0	85	0	0	0	40	5 V	5.07 V	5.05 V	EMITTER	0	0	0		C332	2.64	0.00	2.73	0.00
75	2.38 V	0.72 V	2.38 V	30	0	0	0	86	5.1	5.1	5.1	41	0.005 V	0.92 V	0.92 V	COLECTOR	0	-0.42	0		C333	2.95	2.20	2.96	2.25
76	2.4 V	0.81 V	2.39 V	31	0	0	0	87	5.1	5.1	5.1	42	4.7 V	4.7 V	4.7 V	Q 802				C334	3.07	0.00	3.08	0.00	
77	1.58 V	1.6 V	1.48 V	32	0	0	0	88	5.1	5.1	5.1	43	4.8 V	4.8 V	4.8 V	BASE	0.68	-2.05	0.68		C335	2.53	0.01	2.42	0.00
78	2.44 V	3.35 V	2.33 V	33	0	2.67	2.68	89	0	0	0	44	0.078 V	3.3 V	0.068 V	EMITTER	0	0	0		C339	4.90	0.00	4.96	0.00
79	1.73 V	1.67 V	2.51 V	34	0	2.5	2.63	90	5	5	5.1	IC 802				COLECTOR	0	-0.34	0		C362	0.00	0.00	0.00	0.00
80	0.98 V	0.98 V	4.46 V	35	0	0	0	91	5.1	5.1	4.97	1	3.82	3.82	3.82	Q 902				C363	0.16	0.00	0.12	0.00	
81	1.1 V	1.13 V	1.15 V	36	5.1	5.1	5.13	92	0	0	0	2	3.82	3.82	3.82	BASE	0.76	0.76	0.76		C367	2.27	1.78	2.27	1.33
82	0.003 V	0.004 V	0.006 V	37	5.14	2.56	2.57	93	5	5	5.1	3	3.82	3.82	3.82	EMITTER	0	0	0		C402	4.69	0	4.92	0
83	1.65 V	1.03 V	1.41 V	38	2.34	2.4	2.38	94	0	0	1.9	4	3.82	3.82	3.82	COLECTOR	0	0	0		C405	2.35	0	2.45	0
84	0.258 V	2.5 V	0.014 V	39	0	0	0	95	0	0	0	5	3.82	3.82	3.82	Q 903				C406	5.47	2.37	5.44	2.48	
85	0.002 V	0.003 V	1.38 V	40	5.1	1.96	2.23	96	5	5	5	6	3.82	3.82	3.82	BASE	0.76	0.76	0.76		C407	5.47	0	5.44	0
86	0.251 V	0.014 V	1.98 V	41	2.5	2.5	2.53	97	0	0	0	7	3.82	3.82	3.82	EMITTER	0	0	0		C408	5.47	2.37	5.44	2.48
87	0.77 V	0.78 V	0.78 V	42	0	0	0	98	5	5	2.5	8	3.82	3.82	3.82	COLECTOR	0	0	0		C413	11.9	0	12	0
88	0.77 V	0.78 V	0.77 V	43	0	0	5.1	99	0	0	0	9	3.82	3.82	3.82	Q 905				C414	5.17	0.01	5.44	0	
89	0.77 V	0.78 V	0.77 V	44	5.1	5.1	5.1	100	0	0	0.8	10	3.82	3.82	3.82	BASE	0.39	0.4	0.39		C415	5.47	0.01	5.44	0
90	0.77 V	0.78 V	0.77 V	45	5.1	5.1	5.1	IC 801				11	3.82	3.82	3.82	EMITTER	1.03	1.02	1.02		C500	5.2	0	5.19	0
91	4.85 V	4.83 V	4.74 V	46	0	0	0	1	3.8 V	3.81 V	3.82 V	12	0.53	0	0	COLECTOR	0	0	0		C503	5.04	0	5.04	0
92	2.1 mV	0.004 V	0.006 V	47	1.6	1.6	1.6	2	3.8 V	3.82 V	3.82 V	13	3.9	3.87	3.91	Q 910				C516	4.83	0	4.82	0	
93	1.7 V	1.72 V	3.94 V	48	0	0	0	3	3.8 V	3.82 V	3.82 V	14	0	0	0	BASE	3.6	2	3.6		C526	13.89	0	13.8	0
94	1.7 V	1.71 V	3.93 V	49	1.43	1.86	1.27	4	3.8 V	3.82 V	3.82 V	15	0	0	0	EMITTER	4.22	2.7	4.28		C531	3.26	2.1	3.39	2.2
95	1.7 V	1.71 V	3.92 V	50	2.13	2.44	2.63	5	3.8 V	3.82 V	3.82 V	16	6	6	6.08	COLECTOR	0	0	0		C534	4.38	0	4.38	0
96	1.7 V	1.71 V	3.94 V	51	5	5	4.9	6	3.8 V	3.82 V	3.82 V	17	6	6.09	6.08	Q 911				C535	4.4	0	4.4	0	
97	0.002 V	0.005 V	0.006 V	52	2.97	2.43	2.96	7	3.8 V	3.82 V	3.82 V	18	0	0	0	BASE	0	0	0		C546	13.95	0	14	0
98	2.16 V	2.16 V	2.21 V	53	2.45	2.46	2.41	8	3.8 V	3.82 V	3.82 V	19	6	6.08	6.09	EMITTER	0	0	0		C561	5.22	0	5.19	0
99	2.16V	2.16 V	2.25 V	54	2.4	2.43	2.39	9	3.8 V	3.82 V	3.82 V	20	6	6.09	6.09	COLECTOR	3.12	3.24	3.18		C578	2.6	0	2.59	0
100	2.16 V	2.16 V	2.31 V	55	2	2	1.94	10	3.8 V	3.82 V	3.82 V	21	4.6	6	4.59	Q 912				C579	2.6	0	2.59	0	
IC 501				56	0	0	0	11	3.8 V	3.82 V	3.82 V	22	3.82	3.82	3.82	BASE	0	0	0		C584	2.6	0	2.59	0.01
1	0	0.1	0	57	0	0	0	12	0.054 V	~	0.048 V	23	3.87	3.79	3.86	EMITTER	0	0	0		C586	5.21	0	5.17	0
2	4.93	4.9	4.2	58	4.4	0	4.5	13	3.87 V	3.8 V	3.99 V	24	3.87	3.88	3.88	COLECTOR	2.64	3.24	3.21		C592	5.21	0	5.18	0
3	4.93	4.9	4.8	59	0	0	0	14	0.008 V	0.003 V	0.011 V	25	3.87	3.11	3.87	Q 913				C5G1	4.7	0	4.43	0	
4	4.76	4.7	4.7	60	5	4.7	5	15	0.008 V	0.006 V	0.01 V	26	0.75	0	0.75	BASE	0	0	0		C612	3.26	0	3.25	0
5	4.78	4.7	4.75	61	4.73	4.7	4.7	16	6 V	6.07 V	6.07 V	27	0	0	0	EMITTER	0	0	0		C614	3.23	0	3.22	0
6	0	0	0	62	0	0	0	17	6 V	6.07 V	6.08 V	28	3.84	3.84	3.84	COLECTOR	3.54	3.05	3.29		C616	3.24	0	3.23	0
7	0	0	0	63	0	0	0	18	7 V	6.07 V	0.11 V	29	2.64	3.87	3.87						C618	1.8	0	1.8	0
8	5.12	5.1	5.1	64	5	5	0	19	6 V	6.06 V	0.028V	30	0.74	0.74	0.73						C642	1.81	0	1.81	0
9	5	5	4.9	65	0	0	1.3	20	6 V	6.07 V	6.07 V	31	3.88	3.88	3.88						C643	3.26	0	3.25	0
10	4.16	4.98	1.3	66	1.7	2.4	1.9	21	4.58 V	4.57 V	5.9 V	32	3.88	3.82	3.88						C646	3.26	0	3.25	0

VOLTAGE CHARTS

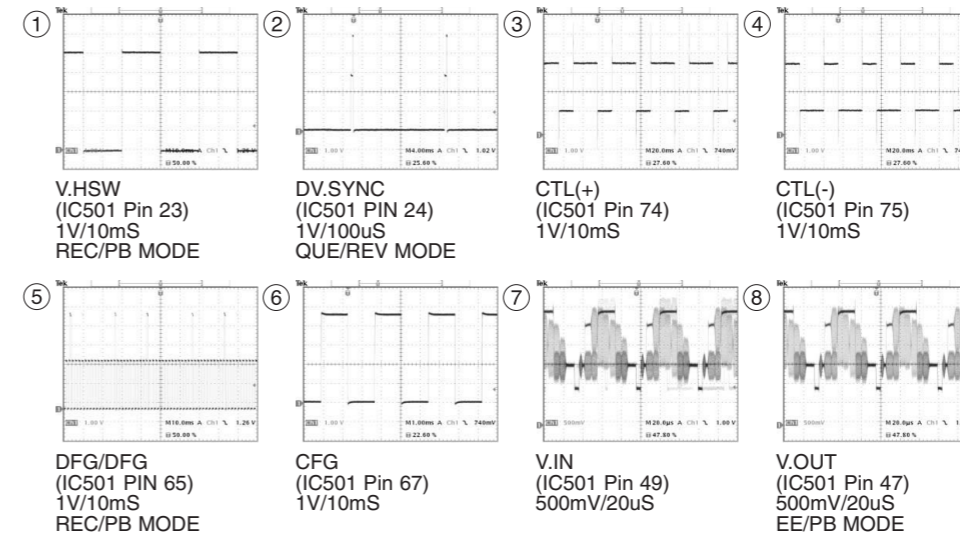
Transistor	STOP			PLAY		
	Base	Emitter	Collector	Base	Emitter	Collector
Q201	3.1	3.28	0.009	2.28	3.05	2.34
Q202	3.14	3.28	0.01	3.1	3.25	0.6
Q203	4.9	0.01	4.9	4.86	5.1	4.85
Q204	4.9	0.04	4.9	4.86	5.2	4.86
Q205	0.003	0.002	4.9	0.003	0.003	4.8
Q206	0.003	0.002	4.9	0.003	0.016	4.86
Q301	4.4	5.08	4.98	4.4	5.08	4.98
Q302	0.74	0.006	0.001	0.74	0.006	0.001
Q303	0.72	0.006	0.008	0.72	0.006	0.008
Q306	1.63	2.22	0.01	1.63	2.22	0.01
Q307	2.15	1.48	0.001	2.15	1.48	0.001
Q308	0.01	4.99	5.24	4.51	3.85	5.23
Q311	0.00	0.00	0.00	-2.20	0.24	3.51
Q403	0.002	1.55	0.76	0.002	0.009	-0.4
Q404	0.002	1.6	0.76	0.002	0.009	-0.6
Q405	2.54	3.27	3.25	3.23	3.26	-0.4
Q501	0.009	0.002	0.02	0.009	0.002	0.02
Q504	2.15	2.83	0.002	2.15	2.83	0.002
Q505	1.63	1.65	5.15	1.63	1.65	5.15
Q507	2.15	2.8	0.002	2.15	2.8	0.002
Q550	0.01	0.002	1.66	0.01	0.002	1.66
Q901	0.76	0.002	0.008	-0.48	0.002	0.004
Q701	5.78	5.03	5.24			

WAVEFORMS

* IC301 Oscilloscope Waveform



* IC501 Waveform Photographs





JVC

Victor Company of Japan, Limited
AV & MULTIMEDIA COMPANY DIGITAL VIDEO STORAGE CATEGORY 12, 3-chome, Moriya-cho, kanagawa-ku, Yokohama, kanagawa-prefecture, 221-8528, Japan

(No.YD070)

PARTS LIST

[HR-XV45SEF,HR-XV45SEK,HR-XV45SER,
HR-XV45SEU,HR-XV45SEY,HR-XV45SEZ]

* SAFETY PRECAUTION

Parts identified by the \triangle symbol are critical for safety. Replace only with specified part numbers.

* BEWARE OF BOGUS PARTS

Parts that do not meet specifications may cause trouble in regard to safety and performance. We recommend that genuine JVC parts be used.

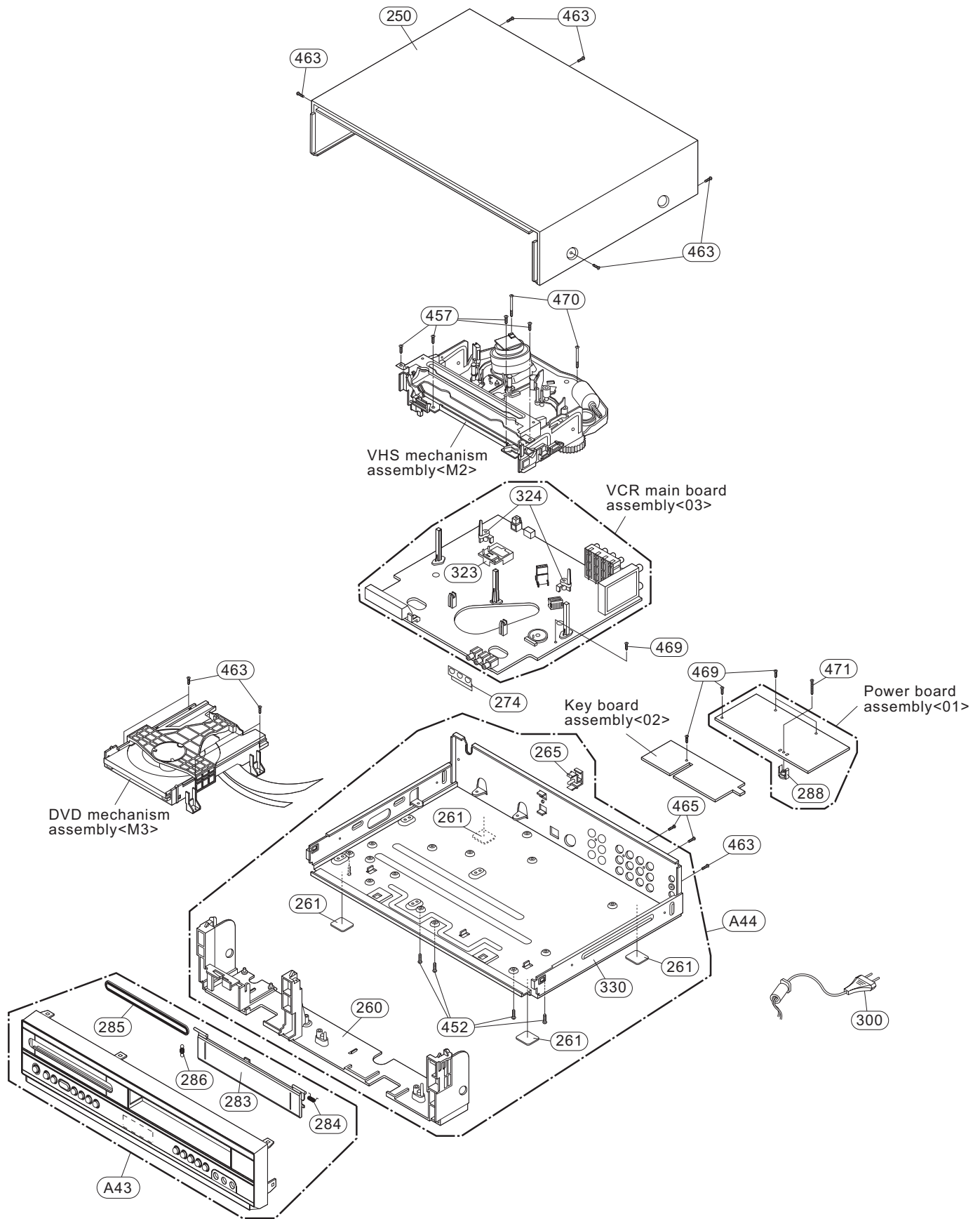
* (x_) in a description column shows the number of the used part.

- Contents -

Exploded view of general assembly and parts list	3-2
VHS mechanism assembly and parts list.....	3-4
DVD mechanism assembly and parts list.....	3-7
Electrical parts list	3-9
Packing materials and accessories parts list	3-22

Exploded view of general assembly and parts list

Block No. M1MM



MODEL	MARK	MODEL	MARK	MODEL	MARK
HR-XV45SEF	A	HR-XV45SER	C	HR-XV45SEY	E
HR-XV45SEK	B	HR-XV45SEU	D	HR-XV45SEZ	F

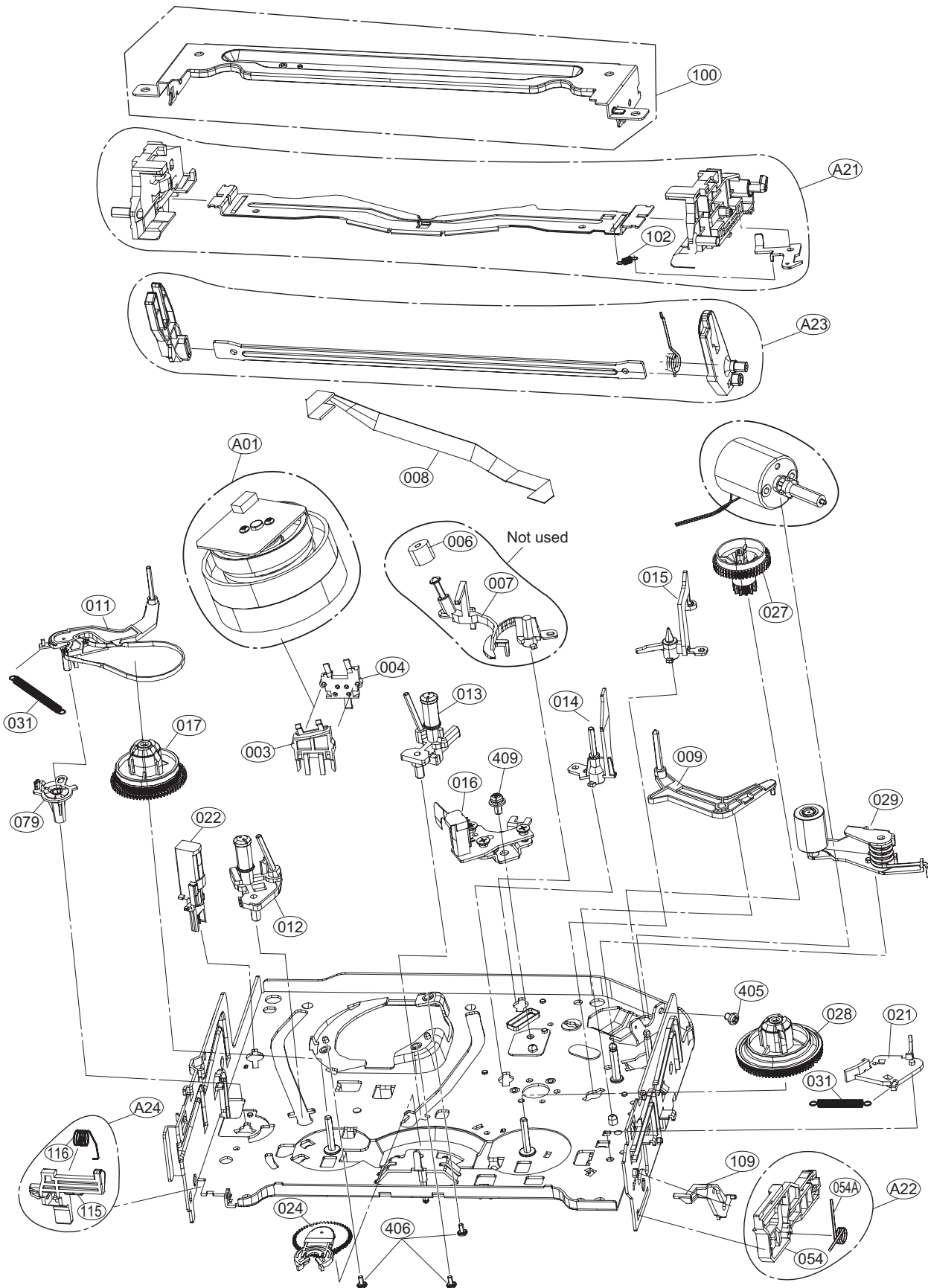
General assembly

Block No. [M][1][M][M]

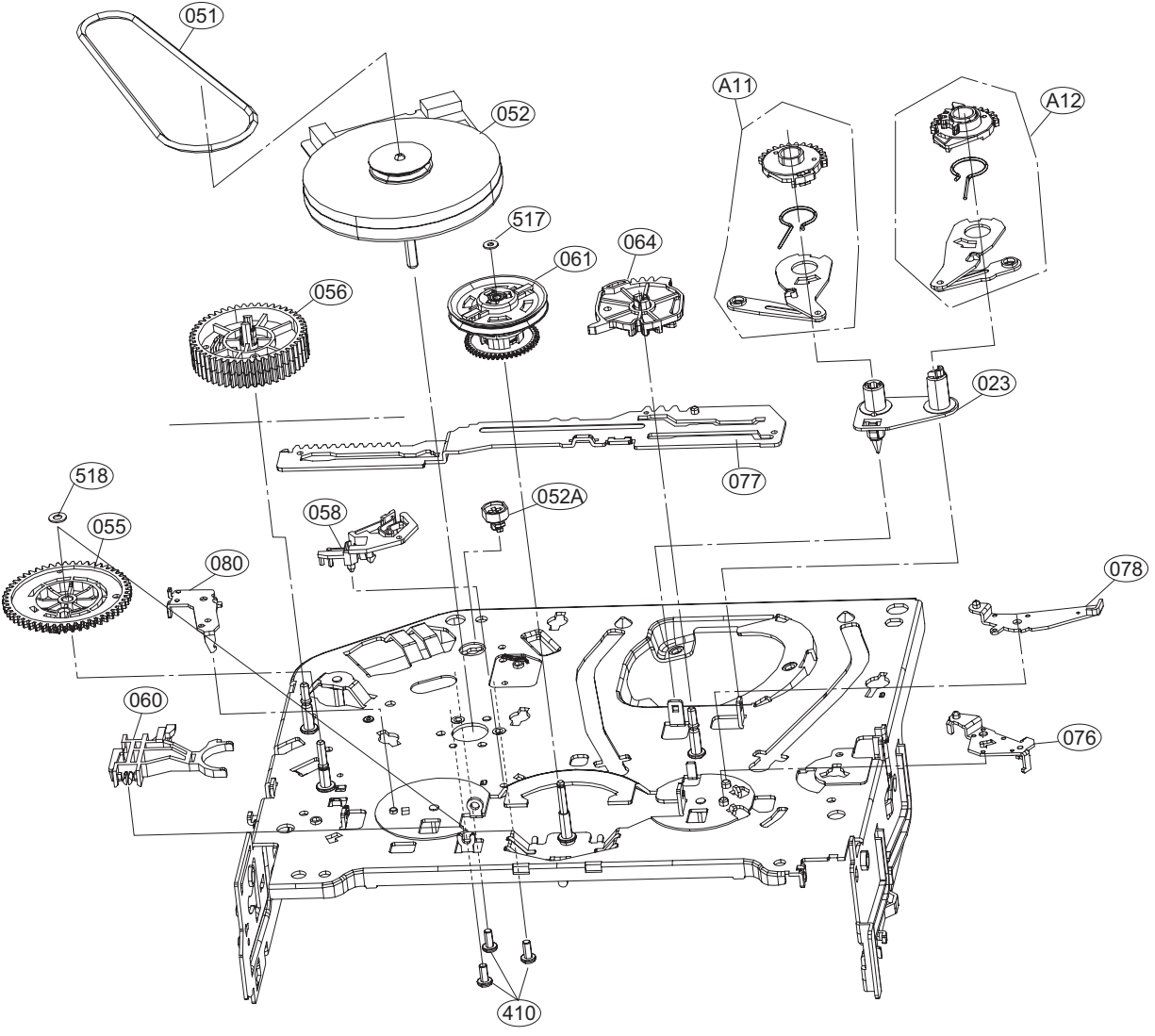
Symbol No.	Part No.	Part Name	Description	Local
250	LG-3110R-V024B	CASE	VBW8024 PRESS TOP A288G B:3/S:	
261	LG-5040R-0069S	RUBBER	CCD 05 NEW SILICON OTHER 2T (3(x4)	
265	LG-4930R-0384A	HOLDER	POWER CORD	
274	LG-3300R-V075A	PLATE	ONE BOARD SLIM PRESS A/V JACK	
283	LG-3580R-V145D	DOOR	VCR VJ9033QP1M NA3GJJ MOLD CST	
284	LG-442-681A	SPRING	DOOR	
285	LG-3580R-T192D	DOOR	VCR VJ9033QP1M NA3GJJ MOLD TRA	
286	LG-4970R-0146A	SPRING	PLATE DR4000 SPRING	
288	LG-4930R-0573A	HOLDER	VCR V9500 MOLD POWER PWB	
△300	LG-6410RBHV02E	POWER CORD	HIT-102/H03VHH2-F (ST-HS:80MM)	B
△300	LG-6410RCHP02D	POWER CORD	HIT-102/H03VHH2-F (ST-HS:80MM)	A,C,D,E,F
323	LG-3111R-0089E	CASE ASSEMBLY	PRE AMP SLIM COMBI C-CORE A NO	
324	LG-4930R-0472A	HOLDER	VCR ONE BOARD SLIM MOLD HIPS 6(x2)	
330	LG-3140R-V010A	CHASSIS	ONE BOARD PRESS SECC 0.8T	
452	LG-1SZZR-0098A	SCREW/DRAWING	+ 2 D3.0 L10.0 MSWR3/FZMZY-1 3(x4)	
457	LG-1SZZR-0098E	SCREW/DRAWING	+ 2 D3.0 L12.0 MSWR3/FZMCW-1 3(x4)	
463	LG-1SZZR-0098G	SCREW/DRAWING	+ 2 D3.0 L8.0 MSWR3/FZMCW-1 3C(x8)	
465	LG-1SZZR-0097K	SCREW/DRAWING	+ 2 D3.0 L10.0 MSWR3/FZB 3 CR(x2)	
469	LG-1SZZR-0098J	SCREW/DRAWING	+ 2 D3.0 L6.5 MSWR3/FZMZY-1 3(x5)	
470	LG-1SZZR-0098K	SCREW/DRAWING	+ 2 D3.0 21MM MSWR3/FZMZY-1 3C(x2)	
471	LG-1SZZR-0098L	SCREW/DRAWING	+ 2 D3.0 L16.0 MSWR3/FN SILVER	
A43	LG-3721R-F432J	PANEL ASSEMBLY/FRONT	VCR VJ9033QSM.NA7BJJ CHANGE P/	A
A43	LG-3721R-F432K	PANEL ASSEMBLY/FRONT	VCR VJ9033QP1M.NA4UJJ CHANGE P	B
A43	LG-3721R-F432H	PANEL ASSEMBLY/FRONT	VCR VJ9033QP1M.NA3GJJ CHANGE P	C,D,E,F
A44	LG-3141R-V027L	CHASSIS ASSEMBLY	2005 COMBI DVD+VCR 4HD HI-FI P	

VHS mechanism assembly and parts list

Block No. M2MM



Back side



MODEL	MARK	MODEL	MARK	MODEL	MARK
HR-XV45SEF	A	HR-XV45SER	C	HR-XV45SEY	E
HR-XV45SEK	B	HR-XV45SEU	D	HR-XV45SEZ	F

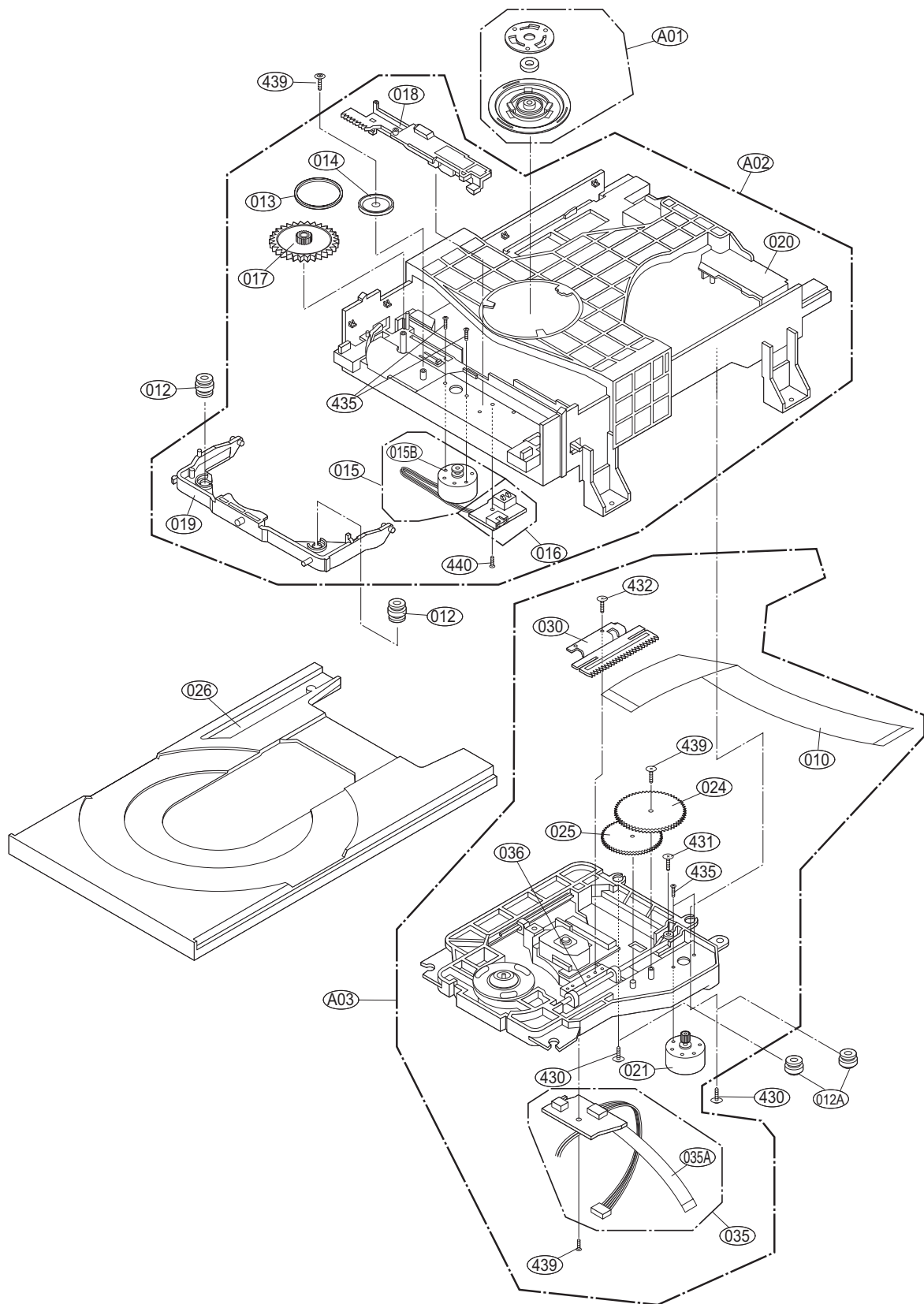
VHS mechanism

Block No. [M][2][M][M]

△ Symbol No.	Part No.	Part Name	Description	Local
003	LG-4930R-0449A	HOLDER	DECK/MECHA FPCB(6CH) - D37C MO	
004	LG-5006R-0045A	CAP	DECK/MECHA FPCB - D37C MOLD	
008	LG-6850R-HG18Y	CABLE/FLAT	P=1.25 FFC UL2896(0.05X0.8) 7	
009	LG-4260R-0056A	ARM	DECK/MECHA T/UP OTHER - D37	
011	LG-4261R-0040A	ARM ASSEMBLY	DECK/MECHA TENSION - D37	
012	LG-3041R-M037A	BASE ASSEMBLY	P2 - D37	
013	LG-3041R-M038A	BASE ASSEMBLY	P3 - D37	
014	LG-3041R-M039A	BASE ASSEMBLY	P4 - D37	
015	LG-5870R-0007A	OPENER	DECK/MECHA LID OTHER - D37	
016	LG-3041R-M036D	BASE ASSEMBLY	A/C HEAD (ALPS) - D37 (DUMMY H	
017	LG-4408R-0005A	REEL	DECK/MECHA S OTHER - D37	
021	LG-4421R-M002A	BRAKE ASSEMBLY	T - D37	
022	LG-6520D00004B	HEAD(CIRC)	ST ST FE HEAD FOR D37 13.5	
023	LG-3040R-M056A	BASE	LOADING OTHER - D37	
024	LG-4261R-0042A	ARM ASSEMBLY	DECK/MECHA IDLER(N) - D37	
027	LG-4470R-0133A	GEAR	DECK/MECHA WHEEL OTHER - D37	
028	LG-4408R-0006A	REEL	DECK/MECHA T OTHER - D37	
029	LG-4261R-0037A	ARM ASSEMBLY	DECK/MECHA PINCH - D37 (CHON P	
031	LG-4970R-0175A	SPRING	COIL TENSION - D37(x2)	
051	LG-4400R-0005A	BELT	CAPSTAN	
052	LG-4680R-A015A	MOTOR(MECH)	CAPSTAN F2QVB66 SANKYO FOR D37	
052A	LG-4980R-0029A	SUPPORTER	DECK/MECHA CAPSTAN OTHER - D37	
054	LG-4470R-0136A	GEAR	DECK/MECHA RACK F/L OTHER - D3	
054A	LG-4970R-0171A	SPRING	COIL RACK F/L - D37	
055	LG-4470R-0140A	GEAR	DECK/MECHA DRIVE OTHER - D37	
056	LG-4470R-0139A	GEAR	DECK/MECHA CAM OTHER - D37	
058	LG-4421R-M001A	BRAKE ASSEMBLY	CAPSTAN -D37	
060	LG-4510R-0065A	LEVER	DECK/MECHA F/R OTHER - D37	
061	LG-4265R-0007A	CLUTCH ASSEMBLY	DECK/MECHA D37(N)	
064	LG-4470R-0141A	GEAR	DECK/MECHA SECTOR OTHER - D37	
076	LG-4510R-0063A	LEVER	DECK/MECHA SPRING OTHER - D37	
077	LG-3300R-M203A	PLATE	SLIDER OTHER - D37	
078	LG-4510R-0062A	LEVER	DECK/MECHA TENSION OTHER - D37	
079	LG-3040R-M057A	BASE	TENSION OTHER - D37	
080	LG-4510R-0064A	LEVER	DECK/MECHA BRAKE OTHER - D37	
100	LG-3301R-M193A	PLATE ASSEMBLY	TOP - D37	
102	LG-4970R-0173A	SPRING	COIL STOPPER - D37	
109	LG-5870R-0008A	OPENER	DECK/MECHA DOOR OTHER - D37	
115	LG-4510R-0070A	LEVER	DECK/MECHA SWITCH(C) OTHER - D	
116	LG-4970R-0163A	SPRING	COIL D35S SWITCH	
405	LG-1MPC0301270	SCREW MACHINE/PAN HEAD	+ D3.0 L3.5 SWRCH18A/FZW	
406	LG-1MEC0302018	SCREW MACHINE/PAN HEAD SPR W	+ D3.0 L6.0 MSWR3/FZY(x3)	
409	LG-1SZZR-0032B	SCREW/DRAWING	+ 1 D2.6 L5.0 SWRCH18A/FZY TAP	
410	LG-1APF0262218	SCREW TAP TITE(B)/PAN HEAD	+ D2.6 L6.8 MSWR3/FZY(x3)	
517	LG-1WZZR-0004D	WASHER/DRAWING	STOPPER	
518	LG-1WZZR-0004A	WASHER/DRAWING	STOPPER	
A01	LG-6723R-0603F	DRUM(CIRC) ASSEMBLY	DECK/MECHA (9P6S) D37-6CH PAL	
A11	LG-4471R-0017A	GEAR ASSEMBLY	DECK/MECHA P3 - D37	
A12	LG-4471R-0015A	GEAR ASSEMBLY	DECK/MECHA P2 - D37	
A21	LG-4931R-0084A	HOLDER ASSEMBLY	DECK/MECHA CST - D37	
A22	LG-4471R-0016A	GEAR ASSEMBLY	DECK/MECHA RACK F/L - D37	
A23	LG-4261R-0038A	ARM ASSEMBLY	DECK/MECHA F/L - D37	
A24	LG-4511R-0005A	LEVER ASSEMBLY	SWITCH(C) - D37	

DVD mechanism assembly and parts list

Block No. M3MM



MODEL	MARK	MODEL	MARK	MODEL	MARK
HR-XV45SEF	A	HR-XV45SER	C	HR-XV45SEY	E
HR-XV45SEK	B	HR-XV45SEU	D	HR-XV45SEZ	F

DVD mechanism

Block No. [M][3][M][M]

Symbol No.	Part No.	Part Name	Description	Local
010	LG-6850R-JW23Z	CABLE/FLAT	P=1.0 FFC UL2896(0.035X0.7) 23	
012	LG-5040R-0083A	RUBBER	DVD DP-6/ DP-8 FRONT RIGHT 20(x2)	
012A	LG-5040R-0110A	RUBBER	DVD REAR DP8 RIGHT 20 OTHER BL(x2)	
013	LG-4400R-0006B	BELT	DECK/MECHA DP2-5/ DP7C/DP7A OT	
014	LG-4470R-0154A	GEAR	DECK/MECHA DP8 PULLEY MOLD	
015	LG-4681R-A015A	MOTOR ASSEMBLY	DECK/MECHA LOADING DP-9 SH	
015B	LG-4560R-0008A	PULLEY	MOTOR	
016	LG-6871R-9294A	PWB(PCB) ASSEMBLY/TOTAL	DP-9C LOADING	
017	LG-4470R-0176A	GEAR	DVD DP-9 LOADING MOLD	
018	LG-4974R-0067A	GUIDE	DVD DP-9C UP/DOWN MOLD	
019	LG-3210R-M008A	FRAME	DP-9C UP/DOWN MOLD	
020	LG-3040R-M064A	BASE	MAIN DP-9C MOLD	
021	LG-4681R-B009B	MOTOR ASSEMBLY	DECK/MECHA DP9 FEEDING	
024	LG-4470R-0179A	GEAR	DVD DP-9 PINION MOLD	
025	LG-4470R-0178A	GEAR	DVD DP-9 MIDDLE MOLD	
026	LG-3390R-0030A	TRAY	DVD DP-9C DISK MOLD	
030	LG-4470R-0180A	GEAR	DVD DP-9 RACK MOLD	
035	LG-6871R-9295A	PWB(PCB) ASSEMBLY/TOTAL	DP-9C FEEDING	
035A	LG-6850R-GK09Z	CABLE/FLAT	P=1.0 FFC UL2896(0.05X0.65) 11	
036	LG-4370R-0136A	SHAFT	DVD PU/ DR-02 SUS-420J2 OTHER	
430	LG-1SZZR-0064B	SCREW/DRAWING	+ 1 D1.7 L7.0 SWCH18A/BZN DP8(x2)	
431	LG-1SZZR-0062A	SCREW/DRAWING	+ 1 D1.7 L4.5 SWCH18A/NI DP8 P	
432	LG-1SZZR-0072A	SCREW/DRAWING	+ 1 D1.7 L4.5 SWRCH18A/FZY DP8	
435	LG-1SZZR-0011A	SCREW/DRAWING	MACHINE(x4)	
439	LG-1SZZR-0075A	SCREW/DRAWING	+ 1 D1.7 L10.0 SWRCH18A/FZW DP(x3)	
440	LG-1SZZH-1007B	SCREW/DRAWING	+ D2.0 6MM SWRCH16A/ZNBK 4MM 1	
A01	LG-4861R-0016B	CLAMP ASSEMBLY	DISC DP7 - SH	
A02	LG-3041R-D024A	BASE ASSEMBLY	MAIN DP-9C	
A03	LG-3041R-M068B	BASE ASSEMBLY	SLED DP-9C DI	

MODEL	MARK	MODEL	MARK	MODEL	MARK
HR-XV45SEF	A	HR-XV45SER	C	HR-XV45SEY	E
HR-XV45SEK	B	HR-XV45SEU	D	HR-XV45SEZ	F

Electrical parts list

Power board

Block No. [0][1]

Symbol No.	Part No.	Part Name	Description	Local
A47	LG-6871R-4925C	PWB(PCB) ASSEMBLY/TOTAL	2005 COMBI ZORAN CIS SMPS DI	C
A47	LG-6871R-4925A	PWB(PCB) ASSEMBLY/TOTAL	2005 COMBI ZORAN PAL SMPS DI C	A,B,D,E,F
IC101	LG-01PMGIH005A	IC/POWER MANAGEMENT	ICE3B0565 INFINEON 8PIN/DIP ST	
IC102	PZ01IL1817000B	SENSOR	LTV-817B/PHOTO COUPLER(LITEON)	
IC102	LG-6500RDB010A	SENSOR	PC123YN2J00F SHARP PHOTOCOUPLE	
IC103	LG-0IKE431000A	IC/KEC	KIA431 3 PIN TP - -	
IC103	LG-0ISS431000A	IC/SAMSUNG ELECTRONICS	KA431AZ (LM431AZ) - -	
IC131	LG-01PMGKE006B	IC/POWER MANAGEMENT	KIA78R33PI CU KEC 4P TO-220IS	
IC131	LG-01PMGGM002A	IC/POWER MANAGEMENT	G9133 GMT 4PIN/TO 220F-4L ST 1	
Q161	LG-0TR126809BA	TRANSISTOR/BIPOLARS	KTA1268-BL TP KEC - -	
Q162	LG-0TR319809AC	TRANSISTOR/BIPOLARS	KTC3198 TP KEC - - -BL (KTC181)	
Q162	LG-0TR534309BA	TRANSISTOR/BIPOLARS	2SC5343-L TP AUK TO92 -	
Q163	LG-0TR928009AD	TRANSISTOR/BIPOLARS	KSA928A-Y/TO-92L TP SAMSUNG TO	
Q163	LG-0TR127309AA	TRANSISTOR/BIPOLARS	KTA1273 TP KEC - - -Y (KTA966A)	
Q164	LG-0TR534309BA	TRANSISTOR/BIPOLARS	2SC5343-L TP AUK TO92 -	
Q164	LG-0TR534409AA	TRANSISTOR/BIPOLARS	2SC5344Y TP AUK - -	
Q165	LG-0TR928009AD	TRANSISTOR/BIPOLARS	KSA928A-Y/TO-92L TP SAMSUNG TO	
Q165	LG-0TR127309AA	TRANSISTOR/BIPOLARS	KTA1273 TP KEC - - -Y (KTA966A)	
Q166	LG-0TR232809AB	TRANSISTOR/BIPOLARS	KSC2328A-Y TP SAMSUNG TO-92L -	
Q166	LG-0TR320509AB	TRANSISTOR/BIPOLARS	KTC3205-TP-Y (KTC2236A)/KEC	
BD101	S1WB/A/60-4101	BRIDGE DIODE	S1WB60 BK SHINDENGEN - 600V -	
BD101	LG-0DRRE00060A	DIODE/RECTIFIERS	DB105-C-S-V50 RECTRON BK NON 6	
D101	ERA22-10	DIODE/RECTIFIERS	ERA22-10 KFLB/TP/R T/P/FUJI	
D102	LG-0DR104009BA	DIODE/RECTIFIERS	RL104F TP RECTRON - 400V 1A 30	
D102	LG-0DRGF00239A	DIODE/RECTIFIERS	FR104E GULF TP NON 400V 1A 30A	
D121	LG-0DR104009BA	DIODE/RECTIFIERS	RL104F TP RECTRON - 400V 1A 30	
D121	LG-0DRGF00239A	DIODE/RECTIFIERS	FR104E GULF TP NON 400V 1A 30A	
D123	LG-0DR810040BA	DIODE/RECTIFIERS	ERC81-004L22 BK FUJI DO201AD 4	
D123	LG-0DR158220AA	DIODE/RECTIFIERS	1N5822 BK RECTRON DO201AD 40V	
D123	LG-0DRGF00210A	DIODE/RECTIFIERS	1N5822 GULF BK DO201AD 40V 3A	
D124	LG-0DSGF00040A	DIODE/SWITCHING	UF5402-M11 GULF BK DO201AD 200	
D124	LG-0DSDI00110A	DIODE/SWITCHING	UF3003 DIODES BK DO201AD 200V	
D125	LG-0DRSD00210A	DIODE/RECTIFIERS	D3S6M SHINDENGEN BK AX14 60V 1	
D127	1SS133-T2	SI DIODE	1SS133 TP ROHM KOREA - - - -	
ZD102	LG-0DZ202609AA	DIODE/ZENERS	UZ-20BSB 26MM TP PYUNG CHANG D	
ZD151	LG-0DZ132609AB	DIODE/ZENERS	GDZJ13A 26MM TP GRANDE DO34 0	
ZD151	LG-0DZ132609BB	DIODE/ZENERS	UZ-13BSA 26MM TP PYUNG CHANG	
ZD152	LG-0DZ102609BB	DIODE/ZENERS	UZ-10BSB 26MM TP PYUNG CHANG D	

Symbol No.	Part No.	Part Name	Description	Local
ZD152	LG-0DZ100009HA	DIODE/ZENERS	UZ-10BM TP PYUNG CHANG - 0.5W	
C101	LG-624-088L	CAPACITOR/DRAWING	435D SUNIL ELECTRONICS 0.1UF/2	
C102	LG-624-088L	CAPACITOR/DRAWING	435D SUNIL ELECTRONICS 0.1UF/2	
C103	LG-0CE686CU611	CAPACITOR/FIXED ELECTROLYTIC	68UF SHL/SD 400V 20% FL BK7.5	
C104	LG-0CN1040K948	CAPACITOR/FIXED TUBULAR	0.1UF D 50V 80%/20% F(Y5V) TA	
C105	LG-0CQ1031Y519	CAPACITOR/FIXED FILM	0.01UF D 630V 10% PE NI TP5	
C106	LG-624-087G	CAPACITOR/FIXED CERAMIC	HIGH-VOL 68PF/1KV SMPS SAMHWA	
C107	LG-0CN1030K518	CAPACITOR/TUBULAR	0.01UF 50V K B TA26	
C108	QETC1HM-105Z	E CAPACITOR	1UF SRA/SS 50V 20% FM5 TP 5	
C109	LG-0CE3366H638	CAPACITOR/FIXED ELECTROLYTIC	33UF SMS/SG 25V 20% FM5 TP 5	
C111	LG-0CG1020U630	CAPACITOR/FIXED CERAMIC	1000PF D 400V 20% E(Z5U) R	
C115	LG-0CN1040K948	CAPACITOR/FIXED TUBULAR	0.1UF D 50V 80%/20% F(Y5V) TA	
C121	LG-624-087D	CAPACITOR/FIXED CERAMIC	HI-VOL 470P/1KVDC SMPS SAMHWA	
C124	LG-0CE477BH630	CAPACITOR/FIXED ELECTROLYTIC	470UF KME TYPE 25V 20% FM5 BUL	
C126	LG-624-085D	CAPACITOR/FIXED ELECTROLYTIC	CE 47UF/50V KME (SMPS)	
C127	LG-0CE108BF630	CAPACITOR/FIXED ELECTROLYTIC	1000UF KME TYPE 16V 20% FM5 BU	
C128	LG-0CE228BF630	CAPACITOR/FIXED ELECTROLYTIC	2200UF KME TYPE 16V 20% FM5 BU	
C134	LG-0CE227CH618	CAPACITOR/FIXED ELECTROLYTIC	220UF SHL/SD 25V 20% FL TP 5	
C137	LG-0CE3376D638	CAPACITOR/FIXED ELECTROLYTIC	330UF SMS/SG 10V 20% FM5 TP 5	
C138	LG-624-082H	CAPACITOR/FIXED ELECTROLYTIC	CE 1000UF/10V SHL(10*12.5)T/P	
C143	LG-0CQ1042K409	CAPACITOR/FIXED FILM	0.1UF S 50V 5% PE TP5	
C158	QET61CM-106Z	E CAPACITOR	10UF SRA/SS 16V 20% FM5 TP 5	
C159	LG-0CE4754K638	CAPACITOR/FIXED ELECTROLYTIC	4.7UF SRA/SS 50V 20% FM5 TP 5	
C160	LG-0CE4754K638	CAPACITOR/FIXED ELECTROLYTIC	4.7UF SRA/SS 50V 20% FM5 TP 5	
C161	LG-0CE4754K638	CAPACITOR/FIXED ELECTROLYTIC	4.7UF SRA/SS 50V 20% FM5 TP 5	
C162	LG-0CE4776D638	CAPACITOR/FIXED ELECTROLYTIC	470UF SMS/SG 10V 20% FM5 TP 5	
C164	QET61CM-106Z	E CAPACITOR	10UF SRA/SS 16V 20% FM5 TP 5	
C166	LG-0CN223AK948	CAPACITOR/TUBULAR	0.022UF 50V Z F TA26 S	
R100	QRE121J-155Y	C RESISTOR	1.5M OHM 1/2 W 5.00% MF10	
R104	LG-0RS5602K619	RESISTOR/FIXED METAL OXIDE FILM	56K OHM 2 W 5.00% TR	
R105	LG-0RD0102F608	RESISTOR/FIXED CARBON FILM	10 OHM 1/6 W 5% TA26	
R109	LG-0RS0750K619	RESISTOR/FIXED METAL OXIDE FILM	0.75 OHM 2 W 5.00% TR	
R136	QRD161J-104Y	C RESISTOR	100K OHM 1/6 W 5% TA26	
R141	QRD161J-221	C RESISTOR	220 OHM 1/6 W 5% TA26	
R142	QRD161J-222Y	C RESISTOR	2.2K OHM 1/6 W 5% TA26	
R143	QRE141J-102Y	C RESISTOR	1K OHM 1/6 W 5% TA26	
R144	LG-0RN3301F408	RESISTOR/FIXED METAL FILM	3.3K OHM 1/6 W 1% TA26	
R145	LG-0RN2701F408	RESISTOR/FIXED METAL FILM	2.7K OHM 1/6 W 1% TA26	
R146	QRD161J-271Y	C RESISTOR	270 OHM 1/6 W 5% TA26	
R154	QRE141J-102Y	C RESISTOR	1K OHM 1/6 W 5% TA26	
R155	QRD161J-183Y	C RESISTOR	18K OHM 1/6 W 5% TA26	
R156	QRE141J-102Y	C RESISTOR	1K OHM 1/6 W 5% TA26	

MODEL	MARK	MODEL	MARK	MODEL	MARK
HR-XV45SEF	A	HR-XV45SER	C	HR-XV45SEY	E
HR-XV45SEK	B	HR-XV45SEU	D	HR-XV45SEZ	F

VCR main board

Block No. [0][3]

Symbol No.	Part No.	Part Name	Description	Local
R157	QRE141J-331Y	C RESISTOR	330 OHM 1/6 W 5% TA26	
R163	QRD161J-472Y	C RESISTOR	4.7K OHM 1/6 W 5% TA26	
R164	QRD161J-472Y	C RESISTOR	4.7K OHM 1/6 W 5% TA26	
R165	QRD161J-472Y	C RESISTOR	4.7K OHM 1/6 W 5% TA26	
R166	QRD161J-562Y	C RESISTOR	5.6K OHM 1/6 W 5% TA26	
R168	QRD161J-562Y	C RESISTOR	5.6K OHM 1/6 W 5% TA26	
R172	QRE141J-102Y	C RESISTOR	1K OHM 1/6 W 5% TA26	
R174	QRE141J-331Y	C RESISTOR	330 OHM 1/6 W 5% TA26	
L102	LG-616-145G	FILTER(CIRC)/DRAWING	SHT LFSQ2215V4-04220	
L124	LG-633-088G	COIL/CHOKE	22MH TOKO 5MM TP	
L127	LG-633-088G	COIL/CHOKE	22MH TOKO 5MM TP	
L128	LG-6140RCC003H	COIL/RF	CHOKE COIL 22 UH 8X8 5 PIE SAM	
T101	LG-6170RNGW12P	TRANSFORMER/SMPS[COIL]	EER2828 15 PIN SOOJUNG/SAMWHA	
BC101	LG-636-004C	FILTER(CIRC)/EMC	BEAD CORE BFS3550R2FD8/R T/P	
FR101	LG-0RF0221K634	RESISTOR/VARIABLE[CARBON FILM]	2.2 OHM 2 W 5% MF15	
PPM01	LG-6630R-BF03M	CONNECTOR (CIRC)/BOARD TO BOARD	JE121-13 JAE EUN 13P 2.54MM	
PW101	LG-561-292B	CONNECTOR(CIRC)/DRAWING	GP390 LGC 3P 3.96 STRAIGHT SN	
V101	LG-656-004C	VARISTOR/DRAWING	SVC681D-10A SAMHWA 4.0 CUT	

Key board

Block No. [0][2]

Symbol No.	Part No.	Part Name	Description	Local
A50	LG-6871R-7960D	PWB(PCB) ASSEMBLY/TOTAL	05 COMBI PAL MAIN KEY TOOL JVC	
R5J1	QRE141J-152Y	C RESISTOR	1.5K OHM 1/6 W 5% TA26	
R5J2	QRD161J-122	C RESISTOR	1.2K OHM 1/6 W 5% TA26	
R5J3	QRE141J-152Y	C RESISTOR	1.5K OHM 1/6 W 5% TA26	
R5J4	QRD161J-222Y	C RESISTOR	2.2K OHM 1/6 W 5% TA26	
R5J5	QRD161J-332Y	C RESISTOR	3.3K OHM 1/6 W 5% TA26	
R5J6	QRE141J-123Y	C RESISTOR	12K OHM 1/6 W 5% TA26	
CN501	LG-6631R-E007T	CONNECTOR ASSEMBLY	8283-02/9073-02ST 2PIN 60MM P	
SW507	LG-556-213C	SWITCH/DETECTOR	THV10912B TACT DC 12 V 5-0 A V	
SW508	LG-556-213C	SWITCH/DETECTOR	THV10912B TACT DC 12 V 5-0 A V	
SW509	LG-556-213C	SWITCH/DETECTOR	THV10912B TACT DC 12 V 5-0 A V	
SW510	LG-556-213C	SWITCH/DETECTOR	THV10912B TACT DC 12 V 5-0 A V	
SW511	LG-556-213C	SWITCH/DETECTOR	THV10912B TACT DC 12 V 5-0 A V	
SW512	LG-556-213C	SWITCH/DETECTOR	THV10912B TACT DC 12 V 5-0 A V	
SW513	LG-556-213C	SWITCH/DETECTOR	THV10912B TACT DC 12 V 5-0 A V	

Symbol No.	Part No.	Part Name	Description	Local
A46	LG-3501R-9412A	BOARD ASSEMBLY	VCR MAIN OF VJ9033QSM NA7BJJ	A
A46	LG-3501R-9410W	BOARD ASSEMBLY	VCR 05 COMBI PAL MTK VJ9033QP1	B
A46	LG-3501R-9410Z	BOARD ASSEMBLY	VCR 05 COMBI PAL MTK VJ9033QP4	C
A46	LG-3501R-9410V	BOARD ASSEMBLY	VCR 05 COMBI PAL MTK VJ9033QP1	D
A46	LG-3501R-9410X	BOARD ASSEMBLY	VCR 05 COMBI PAL MTK VJ9033QP2	E
A46	LG-3501R-9410Y	BOARD ASSEMBLY	VCR 05 COMBI PAL MTK VJ9033QP2	F
IC201	LG-0ILNRIJ003A	IC/LINEAR	IP9005LTF INTERPION 28PIN/SSOP	
IC301	LG-0ILNRSAA005B	IC/LINEAR	LA71750EM SANYO 100PIN QFP TRA	
IC3S1	LG-0ILNRSAA007B	IC/LINEAR	LA70100M-TRM SANYO 30PIN SOP R	A
IC401	LG-0IPRPTI064A	IC/PERIPHERALS	PCM1753DBQR TEXAS INSTRUMENT 1	
IC402	NJM4580M-X	IC	NJM4580M 8/DMP8 TP OP AMP 2K/R	
IC402 or	LG-0ILNRUC001A	IC/LINEAR	MC4580 UTC 8PIN/SOP R/TP 2CH O	
IC501	LG-0IMCR02041B	IC/MICRO CONTROLLER	MN101D10FLC1 2ND MATSUSHITA 10	
IC503	LG-0IAL241600B	IC/ATMEL	AT24C16 - - - -	
IC503 or	LG-0ICS241600B	IC/CATALYST	CAT24WC16P 8P DIP ST 16K SERIA	
IC504	LG-0IKE703100A	IC/KEC	KIA7031P 3P 3.1V RESET(TAPING)	
IC504 or	LG-0ISS753100A	IC/SAMSUNG ELECTRONICS	KA7531Z TO-92 TP 3.1V RESET	
IC505	LG-0IKE704200B	IC/KEC	KIA7042P 3P 4.2V RESET(TAPING)	
IC5F1	LG-0ILNRPY001B	IC/LINEAR	PT6955 PTC 24PIN SOP R/TP LED	
IC5F1 or	LG-0IPRPG5001B	IC/PERIPHERALS	LG5-6955 LED DRIVER G-FIVE 24P	
IC601	LG-0ILNRNF009B	IC/LINEAR	MT1389FE/CO2-L MEDIATEK INCORP	
IC603	LG-0IMMRHY001E	IC/MEMORIES	HY57V641620HGT-7 HYUNDAI 54PIN	
IC603 or	LG-0IMMREB004D	IC/MEMORIES	M12L64164A-7TG ESMT 54P TSOPII	
IC606	LG-0ISS240210A	IC/SAMSUNG ELECTRONICS	S524A40X21-SCT0 SOP8 TP EEPROM	
IC621	LG-0IPMGUC006A	IC/POWER MANAGEMENT	LD1117A-1.8V UTC TO252 R/TP 1.	
IC751	LG-0IIT341700C	IC/ITT	MSP3417G-QG-B8-V3 44 QFP TRAY	
IC7V1	LG-0ILNRMN001B	IC/LINEAR	SDA5650X GEG MICRONAS 20PIN SO	A,B,D,E,F
IC801	LG-0IPH960500A	IC/PHILIPS	TDA9605H QFP44 BK HIFI AMP+HIF	
IC802	MM1231XF-X	IC/PERIPHERALS	MM1231XF MITSUMI 16PIN SOP ST	
IC903	LG-0IPRPRH017A	IC/PERIPHERALS	BH7868FS ROHM 32PIN SSOP R/TP	
IC602A	LG-6957R-796AZ	PROGRAM	DVD PROGRAM HV9C3020020 VJ9033	A
IC602A	LG-6957R-796AY	PROGRAM	DVD PROGRAM HV963020050 VJ9033	C
IC602A	LG-6957R-796AW	PROGRAM	DVD PROGRAM HV9E3020020 VJ9033	B,D
IC602A	LG-6957R-796AX	PROGRAM	DVD PROGRAM HV9D3020020 VJ9033	E,F
RC501	LG-6712R1938HA	SENSOR(REMOTE)	356VF4 OPTO 38.0KHZ 19MM(356VF	
RS501	LG-6500RAB008A	SENSOR	KIT-3001A REEL SENSOR KODENSHI	
RS502	LG-6500RAB008A	SENSOR	KIT-3001A REEL SENSOR KODENSHI	
Q201	LG-0TR387509AC	TRANSISTOR/BIPOLARS	CHIP KTC3875S-GR-T1(ALG) TP KE	
Q202	LG-0TRRH80042A	TRANSISTOR/BIPOLARS	2SK3018 T106 ROHM KOREA R/TP U	
Q203	LG-0TRRH80042A	TRANSISTOR/BIPOLARS	2SK3018 T106 ROHM KOREA R/TP U	

MODEL	MARK	MODEL	MARK	MODEL	MARK
HR-XV45SEF	A	HR-XV45SER	C	HR-XV45SEY	E
HR-XV45SEK	B	HR-XV45SEU	D	HR-XV45SEZ	F

Symbol No.	Part No.	Part Name	Description	Local
Q204	2SA1037K/QR-X	TRANSISTOR/ BIPOLARS	2SA1037K-Q CHIP TP ROHM - -	
Q205	2SA1037K/QR-X	TRANSISTOR/ BIPOLARS	2SA1037K-Q CHIP TP ROHM - -	
Q302	LG- 0TR150409AC	TRANSISTOR/ BIPOLARS	KTA1504 TP KEC - -GR- T1(ASG) C	
Q303	LG- 0TR387509AC	TRANSISTOR/ BIPOLARS	CHIP KTC3875S-GR- T1(ALG) TP KE	
Q304	LG- 0TR387509AC	TRANSISTOR/ BIPOLARS	CHIP KTC3875S-GR- T1(ALG) TP KE	
Q305	LG- 0TR150409AC	TRANSISTOR/ BIPOLARS	KTA1504 TP KEC - -GR- T1(ASG) C	
Q306	LG- 0TR534409AA	TRANSISTOR/ BIPOLARS	2SC5344Y TP AUK - -	
Q309	LG- 0TR150409AC	TRANSISTOR/ BIPOLARS	KTA1504 TP KEC - -GR- T1(ASG) C	
Q311	LG- 0TR534409AA	TRANSISTOR/ BIPOLARS	2SC5344Y TP AUK - -	
Q401	2SA1037K/QR-X	TRANSISTOR/ BIPOLARS	2SA1037K-Q CHIP TP ROHM - -	
Q404	LG- 0TR103009AC	TRANSISTOR/ BIPOLARS	KRA103S-T1(PC)22-22 CHIP TP KE	
Q405	LG- 0TR103009AC	TRANSISTOR/ BIPOLARS	KRA103S-T1(PC)22-22 CHIP TP KE	
Q501	LG- 0TR387509AC	TRANSISTOR/ BIPOLARS	CHIP KTC3875S-GR- T1(ALG) TP KE	
Q503	LG- 0TR928009AD	TRANSISTOR/ BIPOLARS	KSA928A-Y/TO-92L TP SAMSUNG TO	
Q503	or LG- 0TR127709AB	TRANSISTOR/ BIPOLARS	AUK KOREA STB1277LY-AT TP TO-9	
Q503	or LG- 0TR127309AA	TRANSISTOR/ BIPOLARS	KTA1273 TP KEC - -Y (KTA966A)	
Q504	LG- 0TR150409AC	TRANSISTOR/ BIPOLARS	KTA1504 TP KEC - -GR- T1(ASG) C	
Q505	LG- 0TR150409AC	TRANSISTOR/ BIPOLARS	KTA1504 TP KEC - -GR- T1(ASG) C	
Q506	LG- 0TR387509AC	TRANSISTOR/ BIPOLARS	CHIP KTC3875S-GR- T1(ALG) TP KE	
Q7S1	LG- 0TR387509AC	TRANSISTOR/ BIPOLARS	CHIP KTC3875S-GR- T1(ALG) TP KE	A
Q7S2	LG- 0TR103009AA	TRANSISTOR/ BIPOLARS	CHIP KRC103S- T1(NC)22-22 TP KE	A
Q801	LG- 0TRKE80067A	TRANSISTOR/ BIPOLARS	KTC3531T KEC R/TP TSM 20V 1A	
Q802	LG- 0TRKE80067A	TRANSISTOR/ BIPOLARS	KTC3531T KEC R/TP TSM 20V 1A	
Q804	LG- 0TR320509AB	TRANSISTOR/ BIPOLARS	KTC3205-TP-Y (KTC2236A)KEC	
Q806	LG- 0TR103009AC	TRANSISTOR/ BIPOLARS	KRA103S-T1(PC)22-22 CHIP TP KE	
Q807	LG- 0TR150409AC	TRANSISTOR/ BIPOLARS	KTA1504 TP KEC - -GR- T1(ASG) C	B,C,D, E,F
Q808	LG- 0TR150409AC	TRANSISTOR/ BIPOLARS	KTA1504 TP KEC - -GR- T1(ASG) C	B,C,D, E,F
Q901	LG- 0TR150409AC	TRANSISTOR/ BIPOLARS	KTA1504 TP KEC - -GR- T1(ASG) C	
Q902	LG- 0TR387509AC	TRANSISTOR/ BIPOLARS	CHIP KTC3875S-GR- T1(ALG) TP KE	
Q903	LG- 0TR387509AC	TRANSISTOR/ BIPOLARS	CHIP KTC3875S-GR- T1(ALG) TP KE	
Q914	LG- 0TR387509AC	TRANSISTOR/ BIPOLARS	CHIP KTC3875S-GR- T1(ALG) TP KE	
Q917	LG- 0TR103009AA	TRANSISTOR/ BIPOLARS	CHIP KRC103S- T1(NC)22-22 TP KE	
Q918	LG- 0TR103009AC	TRANSISTOR/ BIPOLARS	KRA103S-T1(PC)22-22 CHIP TP KE	
Q919	LG- 0TR103009AA	TRANSISTOR/ BIPOLARS	CHIP KRC103S- T1(NC)22-22 TP KE	
D301	1SS133-T2	SI DIODE	1SS133 TP ROHM KOREA - - - - -	
D401	LG- 0DSRM00118A	DIODE/SWITCHING	DAP202K T146 ROHM R/TP SMD 80V	
D503	LG- 0DR104009AB	DIODE/RECTIFIERS	RL104 R. TP GULF SEMICONDUCTOR	
D504	LG- 0DR104009AB	DIODE/RECTIFIERS	RL104 R. TP GULF SEMICONDUCTOR	
LED501	LG- 6301R2U011A	LED ASSEMBLY	TOS-366AGMGRMY-B OASIS UNIVER	
LED501	or LG- 6301R3U011A	LED ASSEMBLY	F3C5-2GWB EVERLIGHT UNIVERSAL	
ZD602	LG- 0DZ562609AB	DIODE/ZENERS	UZ-5.6BSC 26MM TP PYUNG CHANG	

Symbol No.	Part No.	Part Name	Description	Local
ZD603	LG- 0DZ562609AB	DIODE/ZENERS	UZ-5.6BSC 26MM TP PYUNG CHANG	
ZD801	LG- 0DZ622609AB	DIODE/ZENERS	UZ-6.2BSA 26MM TP PYUNG CHANG	
ZD802	LG- 0DZKE00018A	DIODE/ZENERS	Z02W7.5V KEC R/TP SOT23 250MW	
ZD803	LG- 0DZKE00018A	DIODE/ZENERS	Z02W7.5V KEC R/TP SOT23 250MW	
C201	QET61CM-107Z	E CAPACITOR	100UF SRA/SS 16V 20% FM5 TP 5	
C202	LG- 0CH1104K942	CAPACITOR/FIXED CERAMIC	0.1UF 50V 80%/-20% Y5V(F) 1608	
C203	LG- 0CH1104K942	CAPACITOR/FIXED CERAMIC	0.1UF 50V 80%/-20% Y5V(F) 1608	
C204	LG- 0CH1104K942	CAPACITOR/FIXED CERAMIC	0.1UF 50V 80%/-20% Y5V(F) 1608	
C205	QET61CM-476	E CAPACITOR	47UF SRA/SS 16V 20% FM5 TP 5	
C206	QET61CM-476	E CAPACITOR	47UF SRA/SS 16V 20% FM5 TP 5	
C208	LG- 0CH1222K562	CAPACITOR/FIXED CERAMIC	2200PF 50V 10% X7R(X) 1608 R/T	
C210	LG- 0CH1332K562	CAPACITOR/FIXED CERAMIC	3300PF 50V 10% X7R(X) 1608 R/T	
C212	LG- 0CH1104K942	CAPACITOR/FIXED CERAMIC	0.1UF 50V 80%/-20% Y5V(F) 1608	
C213	QET61CM-476	E CAPACITOR	47UF SRA/SS 16V 20% FM5 TP 5	
C215	LG- 0CH1222K562	CAPACITOR/FIXED CERAMIC	2200PF 50V 10% X7R(X) 1608 R/T	
C221	LG- 0CH1104K942	CAPACITOR/FIXED CERAMIC	0.1UF 50V 80%/-20% Y5V(F) 1608	
C222	LG- 0CH1104K942	CAPACITOR/FIXED CERAMIC	0.1UF 50V 80%/-20% Y5V(F) 1608	
C223	LG- 0CE2274C638	CAPACITOR/FIXED ELECTROLYTIC	220UF SRA/SS 6.3V 20% FM5 TP 5	
C224	LG- 0CE2274C638	CAPACITOR/FIXED ELECTROLYTIC	220UF SRA/SS 6.3V 20% FM5 TP 5	
C225	LG- 0CE2274C638	CAPACITOR/FIXED ELECTROLYTIC	220UF SRA/SS 6.3V 20% FM5 TP 5	
C226	LG- 0CH1104K942	CAPACITOR/FIXED CERAMIC	0.1UF 50V 80%/-20% Y5V(F) 1608	
C227	LG- 0CE2274C638	CAPACITOR/FIXED ELECTROLYTIC	220UF SRA/SS 6.3V 20% FM5 TP 5	
C228	LG- 0CH1104K942	CAPACITOR/FIXED CERAMIC	0.1UF 50V 80%/-20% Y5V(F) 1608	
C229	LG- 0CE2274C638	CAPACITOR/FIXED ELECTROLYTIC	220UF SRA/SS 6.3V 20% FM5 TP 5	
C302	QET61CM-226	E CAPACITOR	22UF SRA/SS 16V 20% FM5 TP 5	
C303	LG- 0CH1222K562	CAPACITOR/FIXED CERAMIC	1200PF 50V 10% X7R(X) 1608 R/T	
C304	QET61CM-476	E CAPACITOR	47UF SRA/SS 16V 20% FM5 TP 5	
C305	LG- 0CH1103K512	CAPACITOR/FIXED CERAMIC	0.01UF 50V 10% B(5YP) 1608 R/T	
C306	LG- 0CH1102K512	CAPACITOR/FIXED CERAMIC	1000PF 50V 10% B(5YP) 1608 R/T	
C307	QETC1HM-105Z	E CAPACITOR	1UF SRA/SS 50V 20% FM5 TP 5	
C308	LG- 0CQ2231N409	CAPACITOR/FIXED FILM	0.022UF D 100V 5% PE TP5	
C309	LG- 0CH4151K412	CAPACITOR/FIXED CERAMIC	150PF 50V 5% NP0 1608 R/TP	
C310	NDC31HJ-221X	C CAPACITOR	220PF 50V 5% NP0 1608 R/TP	
C311	QET61CM-476	E CAPACITOR	47UF SRA/SS 16V 20% FM5 TP 5	
C312	LG- 0CH1103K512	CAPACITOR/FIXED CERAMIC	0.01UF 50V 10% B(5YP) 1608 R/T	
C314	QET61CM-106Z	E CAPACITOR	10UF SRA/SS 16V 20% FM5 TP 5	
C315	QETC1HM-225Z	E CAPACITOR	2.2UF SRA/SS 50V 20% FM5 TP 5	
C316	QET61CM-106Z	E CAPACITOR	10UF SRA/SS 16V 20% FM5 TP 5	
C317	LG- 0CH1103K512	CAPACITOR/FIXED CERAMIC	0.01UF 50V 10% B(5YP) 1608 R/T	
C318	LG- 0CE1053K638	CAPACITOR/FIXED ELECTROLYTIC	1UF SRE/SE 50V 20% FM5 TP 5	
C319	LG- 0CH1103K512	CAPACITOR/FIXED CERAMIC	0.01UF 50V 10% B(5YP) 1608 R/T	
C320	QETC1HM-105Z	E CAPACITOR	1UF SRA/SS 50V 20% FM5 TP 5	

MODEL	MARK	MODEL	MARK	MODEL	MARK
HR-XV45SEF	A	HR-XV45SER	C	HR-XV45SEY	E
HR-XV45SEK	B	HR-XV45SEU	D	HR-XV45SEZ	F

Symbol No.	Part No.	Part Name	Description	Local
C321	LG-0CH4680K412	CAPACITOR/FIXED CERAMIC	68PF 50V 5% NP0 1608 R/TP	
C322	LG-0CE1063F638	CAPACITOR/FIXED ELECTROLYTIC	10UF SRE/SE 16V 20% FM5 TP 5	
C323	QET61CM-106Z	E CAPACITOR	10UF SRA/SS 16V 20% FM5 TP 5	
C324	LG-0CE4754K638	CAPACITOR/FIXED ELECTROLYTIC	4.7UF SRA/SS 50V 20% FM5 TP 5	
C325	QET61CM-106Z	E CAPACITOR	10UF SRA/SS 16V 20% FM5 TP 5	
C326	LG-0CH1103K512	CAPACITOR/FIXED CERAMIC	0.01UF 50V 10% B(5YP) 1608 R/T	
C327	LG-0CE1053K638	CAPACITOR/FIXED ELECTROLYTIC	1UF SRE/SE 50V 20% FM5 TP 5	
C328	LG-0CH1103K512	CAPACITOR/FIXED CERAMIC	0.01UF 50V 10% B(5YP) 1608 R/T	
C329	LG-0CH1103K512	CAPACITOR/FIXED CERAMIC	0.01UF 50V 10% B(5YP) 1608 R/T	
C330	LG-0CH1104K512	CAPACITOR/FIXED CERAMIC	0.1UF 50V 10% B(5YP) 1608 R/TP	
C331	QET61CM-226	E CAPACITOR	22UF SRA/SS 16V 20% FM5 TP 5	
C333	QET61CM-476	E CAPACITOR	47UF SRA/SS 16V 20% FM5 TP 5	
C334	LG-0CH1103K512	CAPACITOR/FIXED CERAMIC	0.01UF 50V 10% B(5YP) 1608 R/T	
C335	LG-0CH1103K512	CAPACITOR/FIXED CERAMIC	0.01UF 50V 10% B(5YP) 1608 R/T	
C336	QET61CM-476	E CAPACITOR	47UF SRA/SS 16V 20% FM5 TP 5	
C337	QETC1HM-105Z	E CAPACITOR	1UF SRA/SS 50V 20% FM5 TP 5	
C338	LG-0CH1473K562	CAPACITOR/FIXED CERAMIC	47000PF 50V 10% X7R(X) 1608 R/	
C339	QETC1HM-105Z	E CAPACITOR	1UF SRA/SS 50V 20% FM5 TP 5	
C340	LG-0CH1473K562	CAPACITOR/FIXED CERAMIC	47000PF 50V 10% X7R(X) 1608 R/	
C341	LG-0CH1223K942	CAPACITOR/FIXED CERAMIC	0.022UF 50V 80%/-20% Y5V(F) 16	
C342	LG-0CH1104K512	CAPACITOR/FIXED CERAMIC	0.1UF 50V 10% B(5YP) 1608 R/TP	
C343	LG-0CH1473K562	CAPACITOR/FIXED CERAMIC	47000PF 50V 10% X7R(X) 1608 R/	
C344	LG-0CH4680K412	CAPACITOR/FIXED CERAMIC	68PF 50V 5% NP0 1608 R/TP	
C345	LG-0CH1473K562	CAPACITOR/FIXED CERAMIC	47000PF 50V 10% X7R(X) 1608 R/	
C346	QET61CM-476	E CAPACITOR	47UF SRA/SS 16V 20% FM5 TP 5	
C347	LG-0CE1053K638	CAPACITOR/FIXED ELECTROLYTIC	1UF SRE/SE 50V 20% FM5 TP 5	
C348	QETC1HM-105Z	E CAPACITOR	1UF SRA/SS 50V 20% FM5 TP 5	
C349	QET61CM-476	E CAPACITOR	47UF SRA/SS 16V 20% FM5 TP 5	
C350	LG-0CH1104K512	CAPACITOR/FIXED CERAMIC	0.1UF 50V 10% B(5YP) 1608 R/TP	
C351	NDC31HJ-221X	C CAPACITOR	220PF 50V 5% NP0 1608 R/TP	
C353	QETC1HM-105Z	E CAPACITOR	1UF SRA/SS 50V 20% FM5 TP 5	
C355	LG-0CH1104K512	CAPACITOR/FIXED CERAMIC	0.1UF 50V 10% B(5YP) 1608 R/TP	
C356	QETC1HM-105Z	E CAPACITOR	1UF SRA/SS 50V 20% FM5 TP 5	
C357	QETC1HM-105Z	E CAPACITOR	1UF SRA/SS 50V 20% FM5 TP 5	
C358	LG-0CH4680K412	CAPACITOR/FIXED CERAMIC	68PF 50V 5% NP0 1608 R/TP	
C359	QETC1HM-105Z	E CAPACITOR	1UF SRA/SS 50V 20% FM5 TP 5	
C360	LG-0CH1102K512	CAPACITOR/FIXED CERAMIC	1000PF 50V 10% B(5YP) 1608 R/T	
C361	LG-0CH1223K942	CAPACITOR/FIXED CERAMIC	0.022UF 50V 80%/-20% Y5V(F) 16	
C362	QET61CM-476	E CAPACITOR	47UF SRA/SS 16V 20% FM5 TP 5	
C363	LG-0CH1103K512	CAPACITOR/FIXED CERAMIC	0.01UF 50V 10% B(5YP) 1608 R/T	
C366	LG-0CH1103K512	CAPACITOR/FIXED CERAMIC	0.01UF 50V 10% B(5YP) 1608 R/T	
C367	LG-0CH1104K512	CAPACITOR/FIXED CERAMIC	0.1UF 50V 10% B(5YP) 1608 R/TP	

Symbol No.	Part No.	Part Name	Description	Local
C368	LG-0CH1822K562	CAPACITOR/FIXED CERAMIC	8200PF 50V 10% X7R(X) 1608 R/T	
C370	LG-0CH4820K412	CAPACITOR/FIXED CERAMIC	82PF 50V 5% NP0 1608 R/TP	
C371	LG-0CH4820K412	CAPACITOR/FIXED CERAMIC	82PF 50V 5% NP0 1608 R/TP	
C372	LG-0CH4820K412	CAPACITOR/FIXED CERAMIC	82PF 50V 5% NP0 1608 R/TP	
C374	LG-0CH1104K512	CAPACITOR/FIXED CERAMIC	0.1UF 50V 10% B(5YP) 1608 R/TP	
C375	LG-0CH1104K512	CAPACITOR/FIXED CERAMIC	0.1UF 50V 10% B(5YP) 1608 R/TP	
C376	LG-0CH1103K512	CAPACITOR/FIXED CERAMIC	0.01UF 50V 10% B(5YP) 1608 R/T	
C388	QET61CM-476	E CAPACITOR	47UF SRA/SS 16V 20% FM5 TP 5	
C3S1	LG-0CH1103K562	CAPACITOR/FIXED CERAMIC	0.01UF 50V 10% X7R(X) 1608 R/T	A
C3S2	LG-0CH1103K562	CAPACITOR/FIXED CERAMIC	0.01UF 50V 10% X7R(X) 1608 R/T	A
C3S3	QETC1HM-105Z	E CAPACITOR	1UF SRA/SS 50V 20% FM5 TP 5	A
C3S4	QETC1HM-105Z	E CAPACITOR	1UF SRA/SS 50V 20% FM5 TP 5	A
C3S5	LG-0CH1104K942	CAPACITOR/FIXED CERAMIC	0.1UF 50V 80%/-20% Y5V(F) 1608	A
C3S6	LG-0CH1103K562	CAPACITOR/FIXED CERAMIC	0.01UF 50V 10% X7R(X) 1608 R/T	A
C3S7	QETL1HM-474	E CAPACITOR	0.47UF SRA/SS 50V 20% FM5 TP 5	A
C3S8	LG-0CH1103K562	CAPACITOR/FIXED CERAMIC	0.01UF 50V 10% X7R(X) 1608 R/T	A
C3S9	LG-0CH1103K562	CAPACITOR/FIXED CERAMIC	0.01UF 50V 10% X7R(X) 1608 R/T	A
C3T1	QETL1HM-474	E CAPACITOR	0.47UF SRA/SS 50V 20% FM5 TP 5	A
C3T2	LG-0CQ2222K409	CAPACITOR/FIXED FILM	2200PF S 50V 5% PE TP5	A
C3T3	LG-0CQ2222K409	CAPACITOR/FIXED FILM	2200PF S 50V 5% PE TP5	A
C3T4	QETC1HM-225Z	E CAPACITOR	2.2UF SRA/SS 50V 20% FM5 TP 5	A
C3T5	LG-0CH1103K562	CAPACITOR/FIXED CERAMIC	0.01UF 50V 10% X7R(X) 1608 R/T	A
C3T6	QET61CM-476	E CAPACITOR	47UF SRA/SS 16V 20% FM5 TP 5	A
C3T7	LG-0CH1103K562	CAPACITOR/FIXED CERAMIC	0.01UF 50V 10% X7R(X) 1608 R/T	A
C403	QET61CM-106Z	E CAPACITOR	10UF SRA/SS 16V 20% FM5 TP 5	
C406	LG-0CE4775C638	CAPACITOR/FIXED ELECTROLYTIC	470UF SR/SV 6.3V 20% FM5 TP 5	
C407	LG-0CH1104K942	CAPACITOR/FIXED CERAMIC	0.1UF 50V 80%/-20% Y5V(F) 1608	
C408	QET61CM-226	E CAPACITOR	22UF SRA/SS 16V 20% FM5 TP 5	
C411	QET61CM-226	E CAPACITOR	22UF SRA/SS 16V 20% FM5 TP 5	
C412	QET61CM-107Z	E CAPACITOR	100UF SRA/SS 16V 20% FM5 TP 5	
C413	LG-0CH1101K965	CAPACITOR/FIXED CERAMIC	100PF 1608 50V 10% C0G R/TP	
C414	LG-0CH1101K965	CAPACITOR/FIXED CERAMIC	100PF 1608 50V 10% C0G R/TP	
C417	LG-0CH1101K965	CAPACITOR/FIXED CERAMIC	100PF 1608 50V 10% C0G R/TP	
C418	LG-0CH1101K965	CAPACITOR/FIXED CERAMIC	100PF 1608 50V 10% C0G R/TP	
C419	LG-0CH1104K942	CAPACITOR/FIXED CERAMIC	0.1UF 50V 80%/-20% Y5V(F) 1608	
C420	QET61CM-107Z	E CAPACITOR	100UF SRA/SS 16V 20% FM5 TP 5	
C423	QET61CM-226	E CAPACITOR	22UF SRA/SS 16V 20% FM5 TP 5	
C424	QET61CM-226	E CAPACITOR	22UF SRA/SS 16V 20% FM5 TP 5	
C450	LG-0CH1104K942	CAPACITOR/FIXED CERAMIC	0.1UF 50V 80%/-20% Y5V(F) 1608	
C499	QET61CM-107Z	E CAPACITOR	100UF SRA/SS 16V 20% FM5 TP 5	
C501	LG-0CE4775C638	CAPACITOR/FIXED ELECTROLYTIC	470UF SR/SV 6.3V 20% FM5 TP 5	
C502	LG-0CE4764C638	CAPACITOR/FIXED ELECTROLYTIC	47UF SRA/SS 6.3V 20% FM5 TP 5	

MODEL	MARK	MODEL	MARK	MODEL	MARK
HR-XV45SEF	A	HR-XV45SER	C	HR-XV45SEY	E
HR-XV45SEK	B	HR-XV45SEU	D	HR-XV45SEZ	F

Symbol No.	Part No.	Part Name	Description	Local
C503	LG-0CH4470K412	CAPACITOR/FIXED CERAMIC	47PF 50V 5% NP0 1608 R/TP	
C504	QETC1HM-105Z	E CAPACITOR	1UF SRA/SS 50V 20% FM5 TP 5	
C505	LG-0CE4764C638	CAPACITOR/FIXED ELECTROLYTIC	47UF SRA/SS 6.3V 20% FM5 TP 5	
C506	LG-0CH1223K942	CAPACITOR/FIXED CERAMIC	0.022UF 50V 80%/-20% Y5V(F) 16	
C507	QET61CM-106Z	E CAPACITOR	10UF SRA/SS 16V 20% FM5 TP 5	
C508	LG-0CH1104K942	CAPACITOR/FIXED CERAMIC	0.1UF 50V 80%/-20% Y5V(F) 1608	
C509	LG-0CH1103K562	CAPACITOR/FIXED CERAMIC	0.01UF 50V 10% X7R(X) 1608 R/T	
C510	LG-0CH1104K942	CAPACITOR/FIXED CERAMIC	0.1UF 50V 80%/-20% Y5V(F) 1608	
C511	QETA1CM-336	E CAPACITOR	33UF SRA/SS 16V 20% FM5 TP 5	
C512	LG-0CH1105F942	CAPACITOR/FIXED CERAMIC	1000000PF 16V 80%/-20% Y5V(F)	
C513	LG-0CH1102K512	CAPACITOR/FIXED CERAMIC	1000PF 50V 10% B(5YP) 1608 R/T	
C514	NDC31HJ-270X	C CAPACITOR	27PF 50V 5% NP0 1608 R/TP	
C515	NDC31HJ-270X	C CAPACITOR	27PF 50V 5% NP0 1608 R/TP	
C516	LG-0CH1223K942	CAPACITOR/FIXED CERAMIC	0.022UF 50V 80%/-20% Y5V(F) 16	
C517	LG-0CH1103K562	CAPACITOR/FIXED CERAMIC	0.01UF 50V 10% X7R(X) 1608 R/T	
C518	LG-0CH1222K512	CAPACITOR/FIXED CERAMIC	2200PF 50V 10% B(5YP) 1608 R/T	
C520	LG-0CH1102K512	CAPACITOR/FIXED CERAMIC	1000PF 50V 10% B(5YP) 1608 R/T	
C522	QET61CM-226	E CAPACITOR	22UF SRA/SS 16V 20% FM5 TP 5	
C523	QET61CM-226	E CAPACITOR	22UF SRA/SS 16V 20% FM5 TP 5	
C524	QET61CM-107Z	E CAPACITOR	100UF SRA/SS 16V 20% FM5 TP 5	
C525	LG-0CH1105F942	CAPACITOR/FIXED CERAMIC	1000000PF 16V 80%/-20% Y5V(F)	
C526	LG-0CE4764J638	CAPACITOR/FIXED ELECTROLYTIC	47UF SRA/SS 35V 20% FM5 TP 5	
C534	LG-0CE4754K638	CAPACITOR/FIXED ELECTROLYTIC	4.7UF SRA/SS 50V 20% FM5 TP 5	
C535	LG-0CE4754K638	CAPACITOR/FIXED ELECTROLYTIC	4.7UF SRA/SS 50V 20% FM5 TP 5	
C543	LG-0CH1222K512	CAPACITOR/FIXED CERAMIC	2200PF 50V 10% B(5YP) 1608 R/T	
C544	LG-0CH1473H942	CAPACITOR/FIXED CERAMIC	0.047UF 25V 80%/-20% Y5V(F) 16	
C545	LG-0CH1333K562	CAPACITOR/FIXED CERAMIC	0.033UF 50V 10% X7R(X) 1608 R/T	
C546	LG-0CE4764J638	CAPACITOR/FIXED ELECTROLYTIC	47UF SRA/SS 35V 20% FM5 TP 5	
C547	LG-0CH1103K562	CAPACITOR/FIXED CERAMIC	0.01UF 50V 10% X7R(X) 1608 R/T	
C551	LG-0CH1333K562	CAPACITOR/FIXED CERAMIC	0.033UF 50V 10% X7R(X) 1608 R/T	
C552	LG-0CH1103K562	CAPACITOR/FIXED CERAMIC	0.01UF 50V 10% X7R(X) 1608 R/T	
C553	NDC31HJ-270X	C CAPACITOR	27PF 50V 5% NP0 1608 R/TP	
C554	LG-0CH1223K942	CAPACITOR/FIXED CERAMIC	0.022UF 50V 80%/-20% Y5V(F) 16	
C556	LG-0CH1102K512	CAPACITOR/FIXED CERAMIC	1000PF 50V 10% B(5YP) 1608 R/T	
C558	LG-0CH1102K512	CAPACITOR/FIXED CERAMIC	1000PF 50V 10% B(5YP) 1608 R/T	
C567	LG-0CH1102K512	CAPACITOR/FIXED CERAMIC	1000PF 50V 10% B(5YP) 1608 R/T	
C568	LG-0CH1102K512	CAPACITOR/FIXED CERAMIC	1000PF 50V 10% B(5YP) 1608 R/T	
C570	LG-0CH4150K412	CAPACITOR/FIXED CERAMIC	15PF 50V 5% NP0 1608 R/TP	
C571	LG-0CH4150K412	CAPACITOR/FIXED CERAMIC	15PF 50V 5% NP0 1608 R/TP	
C581	LG-0CH1103K562	CAPACITOR/FIXED CERAMIC	0.01UF 50V 10% X7R(X) 1608 R/T	
C583	LG-0CH1223K942	CAPACITOR/FIXED CERAMIC	0.022UF 50V 80%/-20% Y5V(F) 16	
C584	LG-0CH1223K942	CAPACITOR/FIXED CERAMIC	0.022UF 50V 80%/-20% Y5V(F) 16	

Symbol No.	Part No.	Part Name	Description	Local
C5B2	LG-0CH1103K562	CAPACITOR/FIXED CERAMIC	0.01UF 50V 10% X7R(X) 1608 R/T	
C5G2	LG-0CE1086C638	CAPACITOR/FIXED ELECTROLYTIC	1000000000PF SMS/SG 6.3V 20% F	
C5G3	LG-0CH1103K562	CAPACITOR/FIXED CERAMIC	0.01UF 50V 10% X7R(X) 1608 R/T	
C5K8	LG-0CH4470K412	CAPACITOR/FIXED CERAMIC	47PF 50V 5% NP0 1608 R/TP	
C5L1	QET61CM-106Z	E CAPACITOR	10UF SRA/SS 16V 20% FM5 TP 5	
C5L2	LG-0CH1102K512	CAPACITOR/FIXED CERAMIC	1000PF 50V 10% B(5YP) 1608 R/T	
C5L3	LG-0CH1102K512	CAPACITOR/FIXED CERAMIC	1000PF 50V 10% B(5YP) 1608 R/T	
C5L6	LG-0CH1102K512	CAPACITOR/FIXED CERAMIC	1000PF 50V 10% B(5YP) 1608 R/T	
C5R1	QET61CM-106Z	E CAPACITOR	10UF SRA/SS 16V 20% FM5 TP 5	
C5R2	LG-0CH4681K412	CAPACITOR/FIXED CERAMIC	680PF 50V 5% NP0 1608 R/TP	
C5S1	NDC31HJ-101X	C CAPACITOR	100PF 50V 5% NP0 1608 R/TP	
C601	LG-0CH1105D942	CAPACITOR/FIXED CERAMIC	1UF 10V 80%/-20% Y5V(F) 1608 R	
C602	LG-0CH1105D942	CAPACITOR/FIXED CERAMIC	1UF 10V 80%/-20% Y5V(F) 1608 R	
C603	LG-0CH1105D942	CAPACITOR/FIXED CERAMIC	1UF 10V 80%/-20% Y5V(F) 1608 R	
C604	LG-0CH1105D942	CAPACITOR/FIXED CERAMIC	1UF 10V 80%/-20% Y5V(F) 1608 R	
C605	LG-0CH1105D942	CAPACITOR/FIXED CERAMIC	1UF 10V 80%/-20% Y5V(F) 1608 R	
C607	LG-0CH1104K942	CAPACITOR/FIXED CERAMIC	0.1UF 50V 80%/-20% Y5V(F) 1608	
C608	LG-0CH1104K942	CAPACITOR/FIXED CERAMIC	0.1UF 50V 80%/-20% Y5V(F) 1608	
C609	LG-0CH1104K942	CAPACITOR/FIXED CERAMIC	0.1UF 50V 80%/-20% Y5V(F) 1608	
C610	LG-0CH1104K942	CAPACITOR/FIXED CERAMIC	0.1UF 50V 80%/-20% Y5V(F) 1608	
C612	LG-0CH4331K412	CAPACITOR/FIXED CERAMIC	330PF 50V 5% NP0 1608 R/TP	
C613	LG-0CH1473K942	CAPACITOR/FIXED CERAMIC	0.047UF 50V 80%/-20% Y5V(F) 16	
C614	LG-0CH1153K562	CAPACITOR/FIXED CERAMIC	0.015UF 50V 10% X7R(X) 1608 R/T	
C615	LG-0CH1104K942	CAPACITOR/FIXED CERAMIC	0.1UF 50V 80%/-20% Y5V(F) 1608	
C617	LG-0CH4331K412	CAPACITOR/FIXED CERAMIC	330PF 50V 5% NP0 1608 R/TP	
C618	LG-0CH1152K562	CAPACITOR/FIXED CERAMIC	1500PF 50V 10% X7R(X) 1608 R/T	
C619	LG-0CH1104K942	CAPACITOR/FIXED CERAMIC	0.1UF 50V 80%/-20% Y5V(F) 1608	
C620	LG-0CH1104K942	CAPACITOR/FIXED CERAMIC	0.1UF 50V 80%/-20% Y5V(F) 1608	
C621	LG-0CH1104K942	CAPACITOR/FIXED CERAMIC	0.1UF 50V 80%/-20% Y5V(F) 1608	
C622	LG-0CH1104K942	CAPACITOR/FIXED CERAMIC	0.1UF 50V 80%/-20% Y5V(F) 1608	
C623	LG-0CH1104K942	CAPACITOR/FIXED CERAMIC	0.1UF 50V 80%/-20% Y5V(F) 1608	
C624	LG-0CH1104K942	CAPACITOR/FIXED CERAMIC	0.1UF 50V 80%/-20% Y5V(F) 1608	
C625	LG-0CH1104K942	CAPACITOR/FIXED CERAMIC	0.1UF 50V 80%/-20% Y5V(F) 1608	
C626	LG-0CH1104K942	CAPACITOR/FIXED CERAMIC	0.1UF 50V 80%/-20% Y5V(F) 1608	
C627	LG-0CH1104K942	CAPACITOR/FIXED CERAMIC	0.1UF 50V 80%/-20% Y5V(F) 1608	
C628	LG-0CH1104K942	CAPACITOR/FIXED CERAMIC	0.1UF 50V 80%/-20% Y5V(F) 1608	
C629	LG-0CH1104K942	CAPACITOR/FIXED CERAMIC	0.1UF 50V 80%/-20% Y5V(F) 1608	
C630	LG-0CH1104K942	CAPACITOR/FIXED CERAMIC	0.1UF 50V 80%/-20% Y5V(F) 1608	
C631	LG-0CH1104K942	CAPACITOR/FIXED CERAMIC	0.1UF 50V 80%/-20% Y5V(F) 1608	
C633	LG-0CH1104K942	CAPACITOR/FIXED CERAMIC	0.1UF 50V 80%/-20% Y5V(F) 1608	
C636	NDC31HJ-180X	C CAPACITOR	18PF 50V 5% NP0 1608 R/TP	
C637	LG-0CH4120K412	CAPACITOR/FIXED CERAMIC	12PF 50V 5% NP0 1608 R/TP	

MODEL	MARK	MODEL	MARK	MODEL	MARK
HR-XV45SEF	A	HR-XV45SER	C	HR-XV45SEY	E
HR-XV45SEK	B	HR-XV45SEU	D	HR-XV45SEZ	F

Symbol No.	Part No.	Part Name	Description	Local
C640	LG-0CH1104K942	CAPACITOR/FIXED CERAMIC	0.1UF 50V 80%/-20% Y5V(F) 1608	
C641	LG-0CH1104K942	CAPACITOR/FIXED CERAMIC	0.1UF 50V 80%/-20% Y5V(F) 1608	
C643	LG-0CH1104K942	CAPACITOR/FIXED CERAMIC	0.1UF 50V 80%/-20% Y5V(F) 1608	
C646	LG-0CH1104K942	CAPACITOR/FIXED CERAMIC	0.1UF 50V 80%/-20% Y5V(F) 1608	
C649	LG-0CH1474H942	CAPACITOR/FIXED CERAMIC	0.47UF 25V 80%/-20% Y5V(F) 160	
C651	LG-0CH4391K412	CAPACITOR/FIXED CERAMIC	390PF 50V 5% NPO 1608 R/TP	
C652	LG-0CH1104K942	CAPACITOR/FIXED CERAMIC	0.1UF 50V 80%/-20% Y5V(F) 1608	
C653	LG-0CH1473K942	CAPACITOR/FIXED CERAMIC	0.047UF 50V 80%/-20% Y5V(F) 16	
C654	LG-0CH1473K942	CAPACITOR/FIXED CERAMIC	0.047UF 50V 80%/-20% Y5V(F) 16	
C655	LG-0CH1105D942	CAPACITOR/FIXED CERAMIC	1UF 10V 80%/-20% Y5V(F) 1608 R	
C657	LG-0CH1104K942	CAPACITOR/FIXED CERAMIC	0.1UF 50V 80%/-20% Y5V(F) 1608	
C658	LG-0CH1104K942	CAPACITOR/FIXED CERAMIC	0.1UF 50V 80%/-20% Y5V(F) 1608	
C659	LG-0CH1105D942	CAPACITOR/FIXED CERAMIC	1UF 10V 80%/-20% Y5V(F) 1608 R	
C660	LG-0CH1104K942	CAPACITOR/FIXED CERAMIC	0.1UF 50V 80%/-20% Y5V(F) 1608	
C661	LG-0CH1104K942	CAPACITOR/FIXED CERAMIC	0.1UF 50V 80%/-20% Y5V(F) 1608	
C662	LG-0CH1102K562	CAPACITOR/FIXED CERAMIC	1000PF 50V 10% X7R(X) 1608 R/T	
C663	LG-0CH4200K412	CAPACITOR/FIXED CERAMIC	20PF 50V 5% NPO 1608 R/TP	
C664	LG-0CH1104K942	CAPACITOR/FIXED CERAMIC	0.1UF 50V 80%/-20% Y5V(F) 1608	
C665	LG-0CH1333K562	CAPACITOR/FIXED CERAMIC	0.033UF 50V 10% X7R(X) 1608 R/TP	
C667	LG-0CH1104K942	CAPACITOR/FIXED CERAMIC	0.1UF 50V 80%/-20% Y5V(F) 1608	
C668	LG-0CH1104K942	CAPACITOR/FIXED CERAMIC	0.1UF 50V 80%/-20% Y5V(F) 1608	
C669	LG-0CH1104K942	CAPACITOR/FIXED CERAMIC	0.1UF 50V 80%/-20% Y5V(F) 1608	
C670	LG-0CH1104K942	CAPACITOR/FIXED CERAMIC	0.1UF 50V 80%/-20% Y5V(F) 1608	
C671	LG-0CH1104K942	CAPACITOR/FIXED CERAMIC	0.1UF 50V 80%/-20% Y5V(F) 1608	
C673	LG-0CH1104K942	CAPACITOR/FIXED CERAMIC	0.1UF 50V 80%/-20% Y5V(F) 1608	
C674	LG-0CH1104K942	CAPACITOR/FIXED CERAMIC	0.1UF 50V 80%/-20% Y5V(F) 1608	
C675	LG-0CH1103K562	CAPACITOR/FIXED CERAMIC	0.01UF 50V 10% X7R(X) 1608 R/T	
C676	LG-0CH1222K562	CAPACITOR/FIXED CERAMIC	2200PF 50V 10% X7R(X) 1608 R/T	
C677	LG-0CH1104K942	CAPACITOR/FIXED CERAMIC	0.1UF 50V 80%/-20% Y5V(F) 1608	
C678	LG-0CH1104K942	CAPACITOR/FIXED CERAMIC	0.1UF 50V 80%/-20% Y5V(F) 1608	
C679	LG-0CH1104K942	CAPACITOR/FIXED CERAMIC	0.1UF 50V 80%/-20% Y5V(F) 1608	
C683	LG-0CH1104K942	CAPACITOR/FIXED CERAMIC	0.1UF 50V 80%/-20% Y5V(F) 1608	
C684	LG-0CH1104K942	CAPACITOR/FIXED CERAMIC	0.1UF 50V 80%/-20% Y5V(F) 1608	
C685	LG-0CH1104K942	CAPACITOR/FIXED CERAMIC	0.1UF 50V 80%/-20% Y5V(F) 1608	
C686	LG-0CH1104K942	CAPACITOR/FIXED CERAMIC	0.1UF 50V 80%/-20% Y5V(F) 1608	
C687	LG-0CH1104K942	CAPACITOR/FIXED CERAMIC	0.1UF 50V 80%/-20% Y5V(F) 1608	
C695	LG-0CH1104K942	CAPACITOR/FIXED CERAMIC	0.1UF 50V 80%/-20% Y5V(F) 1608	
C698	LG-0CH1104K942	CAPACITOR/FIXED CERAMIC	0.1UF 50V 80%/-20% Y5V(F) 1608	
C6A9	NDC31HJ-221X	C CAPACITOR	220PF 50V 5% NPO 1608 R/TP	
C6B7	LG-0CH1104K942	CAPACITOR/FIXED CERAMIC	0.1UF 50V 80%/-20% Y5V(F) 1608	
C6B9	QET61CM-476	E CAPACITOR	47UF SRA/SS 16V 20% FM5 TP 5	
C6C1	QET61CM-476	E CAPACITOR	47UF SRA/SS 16V 20% FM5 TP 5	

Symbol No.	Part No.	Part Name	Description	Local
C6C2	LG-0CE2263F638	CAPACITOR/FIXED ELECTROLYTIC	22UF SRE/SE 16V 20% FM5 TP 5	
C6C3	LG-0CE1063F638	CAPACITOR/FIXED ELECTROLYTIC	10UF SRE/SE 16V 20% FM5 TP 5	
C6C4	LG-0CE1063F638	CAPACITOR/FIXED ELECTROLYTIC	10UF SRE/SE 16V 20% FM5 TP 5	
C6C5	QET61CM-476	E CAPACITOR	47UF SRA/SS 16V 20% FM5 TP 5	
C6C6	QET61CM-106Z	E CAPACITOR	10UF SRA/SS 16V 20% FM5 TP 5	
C6C7	QET61CM-107Z	E CAPACITOR	100UF SRA/SS 16V 20% FM5 TP 5	
C6C9	LG-0CE2274C638	CAPACITOR/FIXED ELECTROLYTIC	220UF SRA/SS 6.3V 20% FM5 TP 5	
C6D4	LG-0CE2274C638	CAPACITOR/FIXED ELECTROLYTIC	220UF SRA/SS 6.3V 20% FM5 TP 5	
C6F7	LG-0CH1104K942	CAPACITOR/FIXED CERAMIC	0.1UF 50V 80%/-20% Y5V(F) 1608	
C6G4	LG-0CH1104K942	CAPACITOR/FIXED CERAMIC	0.1UF 50V 80%/-20% Y5V(F) 1608	
C702	LG-0CE4775C638	CAPACITOR/FIXED ELECTROLYTIC	470UF SR/SV 6.3V 20% FM5 TP 5	
C703	LG-0CH1103K512	CAPACITOR/FIXED CERAMIC	0.01UF 50V 10% B(5YP) 1608 R/T	A
C703	LG-0CH1103K562	CAPACITOR/FIXED CERAMIC	0.01UF 50V 10% X7R(X) 1608 R/T	B,C,D,E,F
C704	LG-0CH1102K512	CAPACITOR/FIXED CERAMIC	1000PF 50V 10% B(5YP) 1608 R/T	
C706	LG-0CH4330K412	CAPACITOR/FIXED CERAMIC	33PF 50V 5% NPO 1608 R/TP	
C707	LG-0CH4680K412	CAPACITOR/FIXED CERAMIC	68PF 50V 5% NPO 1608 R/TP	
C709	LG-0CH1104K942	CAPACITOR/FIXED CERAMIC	0.1UF 50V 80%/-20% Y5V(F) 1608	
C710	LG-0CE4754K638	CAPACITOR/FIXED ELECTROLYTIC	4.7UF SRA/SS 50V 20% FM5 TP 5	
C712	LG-0CH1103K512	CAPACITOR/FIXED CERAMIC	0.01UF 50V 10% B(5YP) 1608 R/T	A
C712	LG-0CH1103K562	CAPACITOR/FIXED CERAMIC	0.01UF 50V 10% X7R(X) 1608 R/T	B,C,D,E,F
C713	LG-0CH4560K412	CAPACITOR/FIXED CERAMIC	56PF 50V 5% NPO 1608 R/TP	
C714	LG-0CH4560K412	CAPACITOR/FIXED CERAMIC	56PF 50V 5% NPO 1608 R/TP	
C715	LG-0CH4050K012	CAPACITOR/FIXED CERAMIC	5PF 50V 0.25 PF NPO 1608 R/TP	A
C715	LG-0CH4050K172	CAPACITOR/FIXED CERAMIC	5PF 50V 0.5 PF N750 1608 R/TP	B,C,D,E,F
C716	LG-0CH4100K412	CAPACITOR/FIXED CERAMIC	10PF 50V 5% NPO 1608 R/TP	
C717	LG-0CH1103K512	CAPACITOR/FIXED CERAMIC	0.01UF 50V 10% B(5YP) 1608 R/T	A
C717	LG-0CH1103K562	CAPACITOR/FIXED CERAMIC	0.01UF 50V 10% X7R(X) 1608 R/T	B,C,D,E,F
C718	LG-0CE4764C638	CAPACITOR/FIXED ELECTROLYTIC	47UF SRA/SS 6.3V 20% FM5 TP 5	
C719	LG-0CE4764C638	CAPACITOR/FIXED ELECTROLYTIC	47UF SRA/SS 6.3V 20% FM5 TP 5	
C720	LG-0CH1392K512	CAPACITOR/FIXED CERAMIC	3900PF 50V 10% B(5YP) 1608 R/T	
C721	LG-0CH1392K512	CAPACITOR/FIXED CERAMIC	3900PF 50V 10% B(5YP) 1608 R/T	
C722	LG-0CH1103K512	CAPACITOR/FIXED CERAMIC	0.01UF 50V 10% B(5YP) 1608 R/T	A
C722	LG-0CH1103K562	CAPACITOR/FIXED CERAMIC	0.01UF 50V 10% X7R(X) 1608 R/T	B,C,D,E,F
C723	LG-0CH1103K512	CAPACITOR/FIXED CERAMIC	0.01UF 50V 10% B(5YP) 1608 R/T	A
C723	LG-0CH1103K562	CAPACITOR/FIXED CERAMIC	0.01UF 50V 10% X7R(X) 1608 R/T	B,C,D,E,F
C726	LG-0CH1103K512	CAPACITOR/FIXED CERAMIC	0.01UF 50V 10% B(5YP) 1608 R/T	A
C726	LG-0CH1103K562	CAPACITOR/FIXED CERAMIC	0.01UF 50V 10% X7R(X) 1608 R/T	B,C,D,E,F
C727	LG-0CE4764C638	CAPACITOR/FIXED ELECTROLYTIC	47UF SRA/SS 6.3V 20% FM5 TP 5	
C728	LG-0CH1103K512	CAPACITOR/FIXED CERAMIC	0.01UF 50V 10% B(5YP) 1608 R/T	A
C728	LG-0CH1103K562	CAPACITOR/FIXED CERAMIC	0.01UF 50V 10% X7R(X) 1608 R/T	B,C,D,E,F
C729	QETF1HM-335Z	E CAPACITOR	3.3UF SRA/SS 50V 20% FM5 TP 5	
C732	QET61CM-106Z	E CAPACITOR	10UF SRA/SS 16V 20% FM5 TP 5	

MODEL	MARK	MODEL	MARK	MODEL	MARK
HR-XV45SEF	A	HR-XV45SER	C	HR-XV45SEY	E
HR-XV45SEK	B	HR-XV45SEU	D	HR-XV45SEZ	F

Symbol No.	Part No.	Part Name	Description	Local
C751	LG-0CE4764C638	CAPACITOR/FIXED ELECTROLYTIC	47UF SRA/SS 6.3V 20% FM5 TP 5	
C752	LG-0CH1103K512	CAPACITOR/FIXED CERAMIC	0.01UF 50V 10% B(5YP) 1608 R/T	A
C752	LG-0CH1103K562	CAPACITOR/FIXED CERAMIC	0.01UF 50V 10% X7R(X) 1608 R/T	B,C,D,E,F
C7M3	NDC31HJ-270X	C CAPACITOR	27PF 50V 5% NPO 1608 R/TP	B,C,D,E,F
C7M5	LG-0CH1105F942	CAPACITOR/FIXED CERAMIC	1000000PF 16V 80%/20% Y5V(F)	B,C,D,E,F
C7M6	NDC31HJ-270X	C CAPACITOR	27PF 50V 5% NPO 1608 R/TP	B,C,D,E,F
C7S1	QETA1CM-336	E CAPACITOR	33UF SRA/SS 16V 20% FM5 TP 5	A
C7S2	QET61CM-106Z	E CAPACITOR	10UF SRA/SS 16V 20% FM5 TP 5	A
C7V1	LG-0CE4764C638	CAPACITOR/FIXED ELECTROLYTIC	47UF SRA/SS 6.3V 20% FM5 TP 5	A,B,D,E,F
C7V2	LG-0CH1103K512	CAPACITOR/FIXED CERAMIC	0.01UF 50V 10% B(5YP) 1608 R/T	A,B,D,E,F
C7V3	QETC1HM-105Z	E CAPACITOR	1UF SRA/SS 50V 20% FM5 TP 5	A,B,D,E,F
C7V4	LG-0CH1473H942	CAPACITOR/FIXED CERAMIC	0.047UF 25V 80%/-20% Y5V(F) 16	A,B,D,E,F
C7V5	LG-0CH1473H942	CAPACITOR/FIXED CERAMIC	0.047UF 25V 80%/-20% Y5V(F) 16	A,B,D,E,F
C802	LG-0CH1104K942	CAPACITOR/FIXED CERAMIC	0.1UF 50V 80%/-20% Y5V(F) 1608	
C803	LG-0CH1104K942	CAPACITOR/FIXED CERAMIC	0.1UF 50V 80%/-20% Y5V(F) 1608	
C804	LG-0CH1104K942	CAPACITOR/FIXED CERAMIC	0.1UF 50V 80%/-20% Y5V(F) 1608	
C805	LG-0CH1104K942	CAPACITOR/FIXED CERAMIC	0.1UF 50V 80%/-20% Y5V(F) 1608	
C806	QET61CM-106Z	E CAPACITOR	10UF SRA/SS 16V 20% FM5 TP 5	
C807	QETL1HM-474	E CAPACITOR	0.47UF SRA/SS 50V 20% FM5 TP 5	
C810	LG-0CH1105F942	CAPACITOR/FIXED CERAMIC	1000000PF 16V 80%/20% Y5V(F)	
C811	LG-0CH1105F942	CAPACITOR/FIXED CERAMIC	1000000PF 16V 80%/20% Y5V(F)	
C812	QET61CM-106Z	E CAPACITOR	10UF SRA/SS 16V 20% FM5 TP 5	
C813	LG-0CH1682K512	CAPACITOR/FIXED CERAMIC	6800PF 50V 10% B(5YP) 1608 R/T	
C814	QET61CM-476	E CAPACITOR	47UF SRA/SS 16V 20% FM5 TP 5	
C815	QET61CM-106Z	E CAPACITOR	10UF SRA/SS 16V 20% FM5 TP 5	
C816	QET61CM-106Z	E CAPACITOR	10UF SRA/SS 16V 20% FM5 TP 5	
C817	QET61CM-106Z	E CAPACITOR	10UF SRA/SS 16V 20% FM5 TP 5	
C818	QET61CM-476	E CAPACITOR	47UF SRA/SS 16V 20% FM5 TP 5	
C819	LG-0CH1682K512	CAPACITOR/FIXED CERAMIC	6800PF 50V 10% B(5YP) 1608 R/T	
C820	QET61CM-106Z	E CAPACITOR	10UF SRA/SS 16V 20% FM5 TP 5	
C821	LG-0CH1103K562	CAPACITOR/FIXED CERAMIC	0.01UF 50V 10% X7R(X) 1608 R/T	
C822	QET61CM-476	E CAPACITOR	47UF SRA/SS 16V 20% FM5 TP 5	
C823	LG-0CH1104K942	CAPACITOR/FIXED CERAMIC	0.1UF 50V 80%/-20% Y5V(F) 1608	
C824	LG-0CH1103K562	CAPACITOR/FIXED CERAMIC	0.01UF 50V 10% X7R(X) 1608 R/T	
C825	QET61CM-476	E CAPACITOR	47UF SRA/SS 16V 20% FM5 TP 5	
C826	LG-0CH1103K562	CAPACITOR/FIXED CERAMIC	0.01UF 50V 10% X7R(X) 1608 R/T	
C828	QET61CM-106Z	E CAPACITOR	10UF SRA/SS 16V 20% FM5 TP 5	
C829	QET61CM-106Z	E CAPACITOR	10UF SRA/SS 16V 20% FM5 TP 5	
C830	QET61CM-106Z	E CAPACITOR	10UF SRA/SS 16V 20% FM5 TP 5	B,C,D,E,F
C831	QET61CM-106Z	E CAPACITOR	10UF SRA/SS 16V 20% FM5 TP 5	B,C,D,E,F
C832	QET61CM-106Z	E CAPACITOR	10UF SRA/SS 16V 20% FM5 TP 5	B,C,D,E,F
C833	QET61CM-106Z	E CAPACITOR	10UF SRA/SS 16V 20% FM5 TP 5	B,C,D,E,F

Symbol No.	Part No.	Part Name	Description	Local
C850	QET61CM-106Z	E CAPACITOR	10UF SRA/SS 16V 20% FM5 TP 5	
C851	QET61CM-106Z	E CAPACITOR	10UF SRA/SS 16V 20% FM5 TP 5	
C852	QET61CM-106Z	E CAPACITOR	10UF SRA/SS 16V 20% FM5 TP 5	
C853	QET61CM-106Z	E CAPACITOR	10UF SRA/SS 16V 20% FM5 TP 5	
C856	QET61CM-476	E CAPACITOR	47UF SRA/SS 16V 20% FM5 TP 5	
C870	LG-0CH1104K942	CAPACITOR/FIXED CERAMIC	0.1UF 50V 80%/-20% Y5V(F) 1608	
C871	LG-0CH1104K942	CAPACITOR/FIXED CERAMIC	0.1UF 50V 80%/-20% Y5V(F) 1608	
C884	LG-0CH1104K942	CAPACITOR/FIXED CERAMIC	0.1UF 50V 80%/-20% Y5V(F) 1608	
C885	LG-0CH1104K942	CAPACITOR/FIXED CERAMIC	0.1UF 50V 80%/-20% Y5V(F) 1608	
C887	QET61CM-106Z	E CAPACITOR	10UF SRA/SS 16V 20% FM5 TP 5	
C888	QET61CM-106Z	E CAPACITOR	10UF SRA/SS 16V 20% FM5 TP 5	
C889	LG-0CH1104K942	CAPACITOR/FIXED CERAMIC	0.1UF 50V 80%/-20% Y5V(F) 1608	
C890	QET61CM-476	E CAPACITOR	47UF SRA/SS 16V 20% FM5 TP 5	
C891	LG-0CH1104K942	CAPACITOR/FIXED CERAMIC	0.1UF 50V 80%/-20% Y5V(F) 1608	
C892	QET61CM-106Z	E CAPACITOR	10UF SRA/SS 16V 20% FM5 TP 5	
C901	LG-0CE4775C638	CAPACITOR/FIXED ELECTROLYTIC	470UF SR/SV 6.3V 20% FM5 TP 5	
C902	LG-0CE4775C638	CAPACITOR/FIXED ELECTROLYTIC	470UF SR/SV 6.3V 20% FM5 TP 5	
C905	LG-0CE4775C638	CAPACITOR/FIXED ELECTROLYTIC	470UF SR/SV 6.3V 20% FM5 TP 5	
C911	LG-0CH1104K942	CAPACITOR/FIXED CERAMIC	0.1UF 50V 80%/-20% Y5V(F) 1608	
C912	NDC31HJ-101X	C CAPACITOR	100PF 50V 5% NPO 1608 R/TP	
C913	NDC31HJ-101X	C CAPACITOR	100PF 50V 5% NPO 1608 R/TP	
C916	LG-0CH1102K512	CAPACITOR/FIXED CERAMIC	1000PF 50V 10% B(5YP) 1608 R/T	
C917	LG-0CH1102K512	CAPACITOR/FIXED CERAMIC	1000PF 50V 10% B(5YP) 1608 R/T	
C919	LG-0CH1102K512	CAPACITOR/FIXED CERAMIC	1000PF 50V 10% B(5YP) 1608 R/T	
C921	LG-0CH1102K512	CAPACITOR/FIXED CERAMIC	1000PF 50V 10% B(5YP) 1608 R/T	
C931	LG-0CE4775C638	CAPACITOR/FIXED ELECTROLYTIC	470UF SR/SV 6.3V 20% FM5 TP 5	
C932	LG-0CE4775C638	CAPACITOR/FIXED ELECTROLYTIC	470UF SR/SV 6.3V 20% FM5 TP 5	
C933	LG-0CE4775C638	CAPACITOR/FIXED ELECTROLYTIC	470UF SR/SV 6.3V 20% FM5 TP 5	
C938	LG-0CH1103K562	CAPACITOR/FIXED CERAMIC	0.01UF 50V 10% X7R(X) 1608 R/T	
C943	NDC31HJ-101X	C CAPACITOR	100PF 50V 5% NPO 1608 R/TP	
C944	NDC31HJ-101X	C CAPACITOR	100PF 50V 5% NPO 1608 R/TP	
C945	LG-0CQ3921N449	CAPACITOR/FIXED FILM	3900PF D 100V 5% PP TP5	
C946	LG-0CQ3921N449	CAPACITOR/FIXED FILM	3900PF D 100V 5% PP TP5	
C960	LG-0CE1053K638	CAPACITOR/FIXED ELECTROLYTIC	1UF SRE/SE 50V 20% FM5 TP 5	
C962	LG-0CE1053K638	CAPACITOR/FIXED ELECTROLYTIC	1UF SRE/SE 50V 20% FM5 TP 5	
C963	LG-0CE1053K638	CAPACITOR/FIXED ELECTROLYTIC	1UF SRE/SE 50V 20% FM5 TP 5	
C964	LG-0CE1053K638	CAPACITOR/FIXED ELECTROLYTIC	1UF SRE/SE 50V 20% FM5 TP 5	
C965	LG-0CE1053K638	CAPACITOR/FIXED ELECTROLYTIC	1UF SRE/SE 50V 20% FM5 TP 5	
C966	QET61CM-476	E CAPACITOR	47UF SRA/SS 16V 20% FM5 TP 5	
C967	LG-0CH1104K942	CAPACITOR/FIXED CERAMIC	0.1UF 50V 80%/-20% Y5V(F) 1608	
C970	LG-0CE1053K638	CAPACITOR/FIXED ELECTROLYTIC	1UF SRE/SE 50V 20% FM5 TP 5	
R201	NRSA63J-103X	MG RESISTOR	10K OHM 1 / 16 W 1608 5.00% D	

MODEL	MARK	MODEL	MARK	MODEL	MARK
HR-XV45SEF	A	HR-XV45SER	C	HR-XV45SEY	E
HR-XV45SEK	B	HR-XV45SEU	D	HR-XV45SEZ	F

Symbol No.	Part No.	Part Name	Description	Local
R202	NRSA63J-104X	MG RESISTOR	100K OHM 1 / 16 W 1608 5.00% D	
R203	NRSA63J-103X	MG RESISTOR	10K OHM 1 / 16 W 1608 5.00% D	
R204	NRSA63J-104X	MG RESISTOR	100K OHM 1 / 16 W 1608 5.00% D	
R212	NRSA63J-103X	MG RESISTOR	10K OHM 1 / 16 W 1608 5.00% D	
R213	LG-0RH0331C622	RESISTOR/METAL GLAZED(CHIP)	3.3 OHM 1 / 16 W 1608 5.00% D	
R214	LG-0RH0471C622	RESISTOR/METAL GLAZED(CHIP)	4.7 OHM 1 / 16 W 1608 5.00% D	
R217	LG-0RJ7503C677	RESISTOR/METAL GLAZED(CHIP)	750K OHM 1/16 W 5% 1608 R/TP	
R218	LG-0RJ7503C677	RESISTOR/METAL GLAZED(CHIP)	750K OHM 1/16 W 5% 1608 R/TP	
R219	NRSA63J-0R0X	MG RESISTOR	0 OHM 1 / 16 W 1608 5.00% D	
R220	LG-0RH3903C622	RESISTOR/METAL GLAZED(CHIP)	390K OHM 1 / 16 W 1608 5.00% D	
R221	LG-0RH3903C622	RESISTOR/METAL GLAZED(CHIP)	390K OHM 1 / 16 W 1608 5.00% D	
R222	LG-0RH0201D622	RESISTOR/METAL GLAZED(CHIP)	2 OHM 1 / 10 W 2012 5.00% D	
R228	NRSA63J-102X	MG RESISTOR	1K OHM 1 / 16 W 1608 5.00% D	
R230	NRSA63J-223X	MG RESISTOR	22K OHM 1 / 16 W 1608 5.00% D	
R235	NRSA63J-103X	MG RESISTOR	10K OHM 1 / 16 W 1608 5.00% D	
R237	NRSA63J-223X	MG RESISTOR	22K OHM 1 / 16 W 1608 5.00% D	
R238	LG-0RH2002C622	RESISTOR/METAL GLAZED(CHIP)	20K OHM 1 / 16 W 1608 5.00% D	
R239	NRSA63J-103X	MG RESISTOR	10K OHM 1 / 16 W 1608 5.00% D	
R240	LG-0RH6802C622	RESISTOR/METAL GLAZED(CHIP)	68K OHM 1 / 16 W 1608 5.00% D	
R243	NRSA63J-103X	MG RESISTOR	10K OHM 1 / 16 W 1608 5.00% D	
R244	NRSA63J-222X	MG RESISTOR	2.2K OHM 1 / 16 W 1608 5.00% D	
R291	LG-0RH0201D622	RESISTOR/METAL GLAZED(CHIP)	2 OHM 1 / 10 W 2012 5.00% D	
R301	NRSA63J-563X	MG RESISTOR	56K OHM 1 / 16 W 1608 5.00% D	
R302	NRSA63J-103X	MG RESISTOR	10K OHM 1 / 16 W 1608 5.00% D	
R303	LG-0RH1802C622	RESISTOR/METAL GLAZED(CHIP)	18K OHM 1 / 16 W 1608 5.00% D	
R304	NRSA63J-103X	MG RESISTOR	10K OHM 1 / 16 W 1608 5.00% D	
R305	NRSA63J-103X	MG RESISTOR	10K OHM 1 / 16 W 1608 5.00% D	
R306	NRSA63J-103X	MG RESISTOR	10K OHM 1 / 16 W 1608 5.00% D	
R307	NRSA63J-222X	MG RESISTOR	2.2K OHM 1 / 16 W 1608 5.00% D	
R308	NRSA63J-472X	MG RESISTOR	4.7K OHM 1 / 16 W 1608 5.00% D	
R309	NRSA63J-122X	MG RESISTOR	1.2K OHM 1 / 16 W 1608 5.00% D	
R310	NRSA63J-472X	MG RESISTOR	4.7K OHM 1 / 16 W 1608 5.00% D	
R311	NRSA63J-102X	MG RESISTOR	1K OHM 1 / 16 W 1608 5.00% D	
R312	LG-0RH6802C622	RESISTOR/METAL GLAZED(CHIP)	68K OHM 1 / 16 W 1608 5.00% D	
R313	LG-0RH1800C622	RESISTOR/METAL GLAZED(CHIP)	180 OHM 1 / 16 W 1608 5.00% D	
R314	NRSA63J-103X	MG RESISTOR	10K OHM 1 / 16 W 1608 5.00% D	
R315	NRSA63J-101X	MG RESISTOR	100 OHM 1 / 16 W 1608 5.00% D	
R316	NRSA63J-101X	MG RESISTOR	100 OHM 1 / 16 W 1608 5.00% D	
R317	NRSA63J-562X	MG RESISTOR	5.6K OHM 1 / 16 W 1608 5.00% D	
R318	LG-0RH3901C622	RESISTOR/METAL GLAZED(CHIP)	3.9K OHM 1 / 16 W 1608 5.00% D	
R319	NRSA63J-561X	MG RESISTOR	560 OHM 1 / 16 W 1608 5.00% D	
R320	LG-0RH1800C622	RESISTOR/METAL GLAZED(CHIP)	180 OHM 1 / 16 W 1608 5.00% D	

Symbol No.	Part No.	Part Name	Description	Local
R321	NRSA63J-122X	MG RESISTOR	1.2K OHM 1 / 16 W 1608 5.00% D	
R322	NRSA63J-822X	MG RESISTOR	8.2K OHM 1 / 16 W 1608 5.00% D	
R324	LG-0RH3303C622	RESISTOR/METAL GLAZED(CHIP)	330K OHM 1 / 16 W 1608 5.00% D	
R325	NRSA63J-122X	MG RESISTOR	1.2K OHM 1 / 16 W 1608 5.00% D	
R326	NRSA63J-123X	MG RESISTOR	12K OHM 1 / 16 W 1608 5.00% D	
R327	NRSA63J-562X	MG RESISTOR	5.6K OHM 1 / 16 W 1608 5.00% D	
R328	LG-0RH2700C622	RESISTOR/METAL GLAZED(CHIP)	270 OHM 1 / 16 W 1608 5.00% D	
R329	NRSA63J-123X	MG RESISTOR	12K OHM 1 / 16 W 1608 5.00% D	
R330	NRSA63J-103X	MG RESISTOR	10K OHM 1 / 16 W 1608 5.00% D	
R331	NRSA63J-472X	MG RESISTOR	4.7K OHM 1 / 16 W 1608 5.00% D	
R332	LG-0RH4702C622	RESISTOR/METAL GLAZED(CHIP)	47K OHM 1 / 16 W 1608 5.00% D	
R333	NRSA63J-332X	MG RESISTOR	3.3K OHM 1 / 16 W 1608 5.00% D	
R334	LG-0RH2701C622	RESISTOR/METAL GLAZED(CHIP)	2.7K OHM 1 / 16 W 1608 5.00% D	
R335	NRSA63J-682X	MG RESISTOR	6.8K OHM 1 / 16 W 1608 5.00% D	
R336	NRSA63J-104X	MG RESISTOR	100K OHM 1 / 16 W 1608 5.00% D	
R337	NRSA63J-182X	MG RESISTOR	1.8K OHM 1 / 16 W 1608 5.00% D	
R338	LG-0RH2700C622	RESISTOR/METAL GLAZED(CHIP)	270 OHM 1 / 16 W 1608 5.00% D	
R339	LG-0RH2700C622	RESISTOR/METAL GLAZED(CHIP)	270 OHM 1 / 16 W 1608 5.00% D	
R340	LG-0RH1802C622	RESISTOR/METAL GLAZED(CHIP)	18K OHM 1 / 16 W 1608 5.00% D	
R342	NRSA63J-102X	MG RESISTOR	1K OHM 1 / 16 W 1608 5.00% D	
R343	NRSA63J-102X	MG RESISTOR	1K OHM 1 / 16 W 1608 5.00% D	
R345	NRSA63J-122X	MG RESISTOR	1.2K OHM 1 / 16 W 1608 5.00% D	
R347	NRSA63J-101X	MG RESISTOR	100 OHM 1 / 16 W 1608 5.00% D	
R348	LG-0RH1504C622	RESISTOR/METAL GLAZED(CHIP)	1.5M OHM 1 / 16 W 1608 5.00% D	
R349	NRSA63J-182X	MG RESISTOR	1.8K OHM 1 / 16 W 1608 5.00% D	
R350	NRSA63J-103X	MG RESISTOR	10K OHM 1 / 16 W 1608 5.00% D	
R351	LG-0RH8203C622	RESISTOR/METAL GLAZED(CHIP)	820K OHM 1 / 16 W 1608 5.00% D	
R352	NRSA63J-331X	MG RESISTOR	330 OHM 1 / 16 W 1608 5.00% D	
R353	NRSA63J-331X	MG RESISTOR	330 OHM 1 / 16 W 1608 5.00% D	
R356	NRSA63J-102X	MG RESISTOR	1K OHM 1 / 16 W 1608 5.00% D	
R361	NRSA63J-0R0X	MG RESISTOR	0 OHM 1 / 16 W 1608 5.00% D	
R365	NRSA63J-122X	MG RESISTOR	1.2K OHM 1 / 16 W 1608 5.00% D	
R366	NRSA63J-0R0X	MG RESISTOR	0 OHM 1 / 16 W 1608 5.00% D	
R375	NRSA63J-122X	MG RESISTOR	1.2K OHM 1 / 16 W 1608 5.00% D	
R399	LG-0RH0000D622	RESISTOR/METAL GLAZED(CHIP)	0 OHM 1 / 10 W 2012 5.00% D	
R3S1	NRSA63J-102X	MG RESISTOR	1K OHM 1 / 16 W 1608 5.00% D	A
R3S3	LG-0RH2204C622	RESISTOR/METAL GLAZED(CHIP)	2.2M OHM 1 / 16 W 1608 5.00% D	A
R3S4	LG-0RH4702C622	RESISTOR/METAL GLAZED(CHIP)	47K OHM 1 / 16 W 1608 5.00% D	A
R401	LG-0RH0472C622	RESISTOR/METAL GLAZED(CHIP)	47 OHM 1 / 16 W 1608 5.00% D	
R402	LG-0RH0472C622	RESISTOR/METAL GLAZED(CHIP)	47 OHM 1 / 16 W 1608 5.00% D	
R403	LG-0RH0472C622	RESISTOR/METAL GLAZED(CHIP)	47 OHM 1 / 16 W 1608 5.00% D	
R404	LG-0RH0472C622	RESISTOR/METAL GLAZED(CHIP)	47 OHM 1 / 16 W 1608 5.00% D	

MODEL	MARK	MODEL	MARK	MODEL	MARK
HR-XV45SEF	A	HR-XV45SER	C	HR-XV45SEY	E
HR-XV45SEK	B	HR-XV45SEU	D	HR-XV45SEZ	F

Symbol No.	Part No.	Part Name	Description	Local
R405	NRSA63J-0R0X	MG RESISTOR	0 OHM 1 / 16 W 1608 5.00% D	
R407	NRSA63J-562X	MG RESISTOR	5.6K OHM 1 / 16 W 1608 5.00% D	
R408	NRSA63J-471X	MG RESISTOR	470 OHM 1 / 16 W 1608 5.00% D	
R409	NRSA63J-103X	MG RESISTOR	10K OHM 1 / 16 W 1608 5.00% D	
R410	NRSA63J-102X	MG RESISTOR	1K OHM 1 / 16 W 1608 5.00% D	
R411	NRSA63J-103X	MG RESISTOR	10K OHM 1 / 16 W 1608 5.00% D	
R412	NRSA63J-153X	MG RESISTOR	15K OHM 1 / 16 W 1608 5.00% D	
R413	NRSA63J-682X	MG RESISTOR	6.8K OHM 1 / 16 W 1608 5.00% D	
R414	NRSA63J-102X	MG RESISTOR	1K OHM 1 / 16 W 1608 5.00% D	
R417	NRSA63J-472X	MG RESISTOR	4.7K OHM 1 / 16 W 1608 5.00% D	
R419	NRSA63J-153X	MG RESISTOR	15K OHM 1 / 16 W 1608 5.00% D	
R420	NRSA63J-682X	MG RESISTOR	6.8K OHM 1 / 16 W 1608 5.00% D	
R421	NRSA63J-331X	MG RESISTOR	330 OHM 1 / 16 W 1608 5.00% D	
R422	NRSA63J-331X	MG RESISTOR	330 OHM 1 / 16 W 1608 5.00% D	
R423	NRSA63J-102X	MG RESISTOR	1K OHM 1 / 16 W 1608 5.00% D	
R424	NRSA63J-102X	MG RESISTOR	1K OHM 1 / 16 W 1608 5.00% D	
R425	NRSA63J-102X	MG RESISTOR	1K OHM 1 / 16 W 1608 5.00% D	
R426	NRSA63J-102X	MG RESISTOR	1K OHM 1 / 16 W 1608 5.00% D	
R427	NRSA63J-102X	MG RESISTOR	1K OHM 1 / 16 W 1608 5.00% D	
R430	NRSA63J-100X	MG RESISTOR	10 OHM 1 / 16 W 1608 5.00% D	
R501	NRSA63J-101X	MG RESISTOR	100 OHM 1 / 16 W 1608 5.00% D	
R502	NRSA63J-101X	MG RESISTOR	100 OHM 1 / 16 W 1608 5.00% D	
R504	NRSA63J-102X	MG RESISTOR	1K OHM 1 / 16 W 1608 5.00% D	
R505	NRSA63J-102X	MG RESISTOR	1K OHM 1 / 16 W 1608 5.00% D	
R506	LG-0RH2701C622	RESISTOR/METAL GLAZED(CHIP)	2.7K OHM 1 / 16 W 1608 5.00% D	
R507	NRSA63J-471X	MG RESISTOR	470 OHM 1 / 16 W 1608 5.00% D	
R508	LG-0RH2701C622	RESISTOR/METAL GLAZED(CHIP)	2.7K OHM 1 / 16 W 1608 5.00% D	
R509	LG-0RH2702C622	RESISTOR/METAL GLAZED(CHIP)	27K OHM 1 / 16 W 1608 5.00% D	
R510	NRSA63J-472X	MG RESISTOR	4.7K OHM 1 / 16 W 1608 5.00% D	
R511	NRSA63J-0R0X	MG RESISTOR	0 OHM 1 / 16 W 1608 5.00% D	
R512	NRSA63J-102X	MG RESISTOR	1K OHM 1 / 16 W 1608 5.00% D	
R517	NRSA63J-472X	MG RESISTOR	4.7K OHM 1 / 16 W 1608 5.00% D	
R518	NRSA63J-472X	MG RESISTOR	4.7K OHM 1 / 16 W 1608 5.00% D	
R520	NRSA63J-101X	MG RESISTOR	100 OHM 1 / 16 W 1608 5.00% D	
R521	NRSA63J-472X	MG RESISTOR	4.7K OHM 1 / 16 W 1608 5.00% D	
R522	NRSA63J-102X	MG RESISTOR	1K OHM 1 / 16 W 1608 5.00% D	
R523	NRSA63J-103X	MG RESISTOR	10K OHM 1 / 16 W 1608 5.00% D	
R525	NRSA63J-562X	MG RESISTOR	5.6K OHM 1 / 16 W 1608 5.00% D	
R526	NRSA63J-562X	MG RESISTOR	5.6K OHM 1 / 16 W 1608 5.00% D	
R528	NRSA63J-472X	MG RESISTOR	4.7K OHM 1 / 16 W 1608 5.00% D	
R529	NRSA63J-103X	MG RESISTOR	10K OHM 1 / 16 W 1608 5.00% D	
R531	NRSA63J-103X	MG RESISTOR	10K OHM 1 / 16 W 1608 5.00% D	

Symbol No.	Part No.	Part Name	Description	Local
R534	NRSA63J-105X	MG RESISTOR	1M OHM 1 / 16 W 1608 5.00% D	
R537	LG-0RH1203C622	RESISTOR/METAL GLAZED(CHIP)	120K OHM 1 / 16 W 1608 5.00% D	
R539	LG-0RH4703C622	RESISTOR/METAL GLAZED(CHIP)	470K OHM 1 / 16 W 1608 5.00% D	
R542	NRSA63J-222X	MG RESISTOR	2.2K OHM 1 / 16 W 1608 5.00% D	
R544	NRSA63J-472X	MG RESISTOR	4.7K OHM 1 / 16 W 1608 5.00% D	
R545	NRSA63J-0R0X	MG RESISTOR	0 OHM 1 / 16 W 1608 5.00% D	
R546	NRSA63J-562X	MG RESISTOR	5.6K OHM 1 / 16 W 1608 5.00% D	
R547	NRSA63J-123X	MG RESISTOR	12K OHM 1 / 16 W 1608 5.00% D	
R548	NRSA63J-104X	MG RESISTOR	100K OHM 1 / 16 W 1608 5.00% D	
R550	NRSA63J-221X	MG RESISTOR	220 OHM 1 / 16 W 1608 5.00% D	
R553	NRSA63J-221X	MG RESISTOR	220 OHM 1 / 16 W 1608 5.00% D	
R555	NRSA63J-221X	MG RESISTOR	220 OHM 1 / 16 W 1608 5.00% D	
R556	NRSA63J-223X	MG RESISTOR	22K OHM 1 / 16 W 1608 5.00% D	
R557	LG-0RH2702C622	RESISTOR/METAL GLAZED(CHIP)	27K OHM 1 / 16 W 1608 5.00% D	
R558	NRSA63J-223X	MG RESISTOR	22K OHM 1 / 16 W 1608 5.00% D	
R561	NRSA63J-0R0X	MG RESISTOR	0 OHM 1 / 16 W 1608 5.00% D	
R562	NRSA63J-0R0X	MG RESISTOR	0 OHM 1 / 16 W 1608 5.00% D	
R563	NRSA63J-562X	MG RESISTOR	5.6K OHM 1 / 16 W 1608 5.00% D	
R564	LG-0RH2702C622	RESISTOR/METAL GLAZED(CHIP)	27K OHM 1 / 16 W 1608 5.00% D	
R566	NRSA63J-472X	MG RESISTOR	4.7K OHM 1 / 16 W 1608 5.00% D	
R567	NRSA63J-102X	MG RESISTOR	1K OHM 1 / 16 W 1608 5.00% D	
R568	NRSA63J-0R0X	MG RESISTOR	0 OHM 1 / 16 W 1608 5.00% D	
R569	NRSA63J-0R0X	MG RESISTOR	0 OHM 1 / 16 W 1608 5.00% D	
R570	NRSA63J-472X	MG RESISTOR	4.7K OHM 1 / 16 W 1608 5.00% D	
R575	NRSA63J-472X	MG RESISTOR	4.7K OHM 1 / 16 W 1608 5.00% D	
R576	NRSA63J-472X	MG RESISTOR	4.7K OHM 1 / 16 W 1608 5.00% D	
R577	NRSA63J-472X	MG RESISTOR	4.7K OHM 1 / 16 W 1608 5.00% D	
R578	NRSA63J-472X	MG RESISTOR	4.7K OHM 1 / 16 W 1608 5.00% D	
R579	NRSA63J-563X	MG RESISTOR	56K OHM 1 / 16 W 1608 5.00% D	
R580	NRSA63J-222X	MG RESISTOR	2.2K OHM 1 / 16 W 1608 5.00% D	
R581	NRSA63J-103X	MG RESISTOR	10K OHM 1 / 16 W 1608 5.00% D	
R582	NRSA63J-153X	MG RESISTOR	15K OHM 1 / 16 W 1608 5.00% D	
R583	NRSA63J-103X	MG RESISTOR	10K OHM 1 / 16 W 1608 5.00% D	
R584	NRSA63J-102X	MG RESISTOR	1K OHM 1 / 16 W 1608 5.00% D	
R585	NRSA63J-220X	MG RESISTOR	22 OHM 1 / 16 W 1608 5.00% D	
R588	NRSA63J-682X	MG RESISTOR	6.8K OHM 1 / 16 W 1608 5.00% D	
R592	NRSA63J-103X	MG RESISTOR	10K OHM 1 / 16 W 1608 5.00% D	
R593	NRSA63J-103X	MG RESISTOR	10K OHM 1 / 16 W 1608 5.00% D	
R5B3	NRSA63J-102X	MG RESISTOR	1K OHM 1 / 16 W 1608 5.00% D	
R5B4	NRSA63J-102X	MG RESISTOR	1K OHM 1 / 16 W 1608 5.00% D	
R5C5	NRSA63J-102X	MG RESISTOR	1K OHM 1 / 16 W 1608 5.00% D	
R5C6	NRSA63J-102X	MG RESISTOR	1K OHM 1 / 16 W 1608 5.00% D	

MODEL	MARK	MODEL	MARK	MODEL	MARK
HR-XV45SEF	A	HR-XV45SER	C	HR-XV45SEY	E
HR-XV45SEK	B	HR-XV45SEU	D	HR-XV45SEZ	F

Symbol No.	Part No.	Part Name	Description	Local
R5C7	NRSA63J-102X	MG RESISTOR	1K OHM 1 / 16 W 1608 5.00% D	
R5C9	NRSA63J-102X	MG RESISTOR	1K OHM 1 / 16 W 1608 5.00% D	
R5D1	NRSA63J-102X	MG RESISTOR	1K OHM 1 / 16 W 1608 5.00% D	
R5D2	NRSA63J-102X	MG RESISTOR	1K OHM 1 / 16 W 1608 5.00% D	
R5D3	NRSA63J-102X	MG RESISTOR	1K OHM 1 / 16 W 1608 5.00% D	
R5D4	NRSA63J-102X	MG RESISTOR	1K OHM 1 / 16 W 1608 5.00% D	
R5D5	NRSA63J-0R0X	MG RESISTOR	0 OHM 1 / 16 W 1608 5.00% D	
R5G1	LG-0RH4702C622	RESISTOR/METAL GLAZED(CHIP)	47K OHM 1 / 16 W 1608 5.00% D	
R5G2	NRSA63J-101X	MG RESISTOR	100 OHM 1 / 16 W 1608 5.00% D	
R5G3	NRSA63J-101X	MG RESISTOR	100 OHM 1 / 16 W 1608 5.00% D	
R5G4	NRSA63J-101X	MG RESISTOR	100 OHM 1 / 16 W 1608 5.00% D	
R5K1	NRSA63J-681X	MG RESISTOR	680 OHM 1 / 16 W 1608 5.00% D	
R5K2	LG-0RH8200C622	RESISTOR/METAL GLAZED(CHIP)	820 OHM 1 / 16 W 1608 5.00% D	
R5K3	NRSA63J-122X	MG RESISTOR	1.2K OHM 1 / 16 W 1608 5.00% D	
R5K4	NRSA63J-152X	MG RESISTOR	1.5K OHM 1 / 16 W 1608 5.00% D	
R5K5	NRSA63J-222X	MG RESISTOR	2.2K OHM 1 / 16 W 1608 5.00% D	
R5K9	NRSA63J-750X	MG RESISTOR	75 OHM 1 / 16 W 1608 5.00% D	
R5R7	NRSA63J-331X	MG RESISTOR	330 OHM 1 / 16 W 1608 5.00% D	
R5R8	NRSA63J-102X	MG RESISTOR	1K OHM 1 / 16 W 1608 5.00% D	
R5S1	NRSA63J-0R0X	MG RESISTOR	0 OHM 1 / 16 W 1608 5.00% D	
R604	NRSA63J-223X	MG RESISTOR	22K OHM 1 / 16 W 1608 5.00% D	
R605	NRSA63J-223X	MG RESISTOR	22K OHM 1 / 16 W 1608 5.00% D	
R606	NRSA63J-682X	MG RESISTOR	6.8K OHM 1 / 16 W 1608 5.00% D	
R607	NRSA63J-223X	MG RESISTOR	22K OHM 1 / 16 W 1608 5.00% D	
R608	NRSA63J-682X	MG RESISTOR	6.8K OHM 1 / 16 W 1608 5.00% D	
R609	NRSA63J-103X	MG RESISTOR	10K OHM 1 / 16 W 1608 5.00% D	
R610	LG-0RH0332C622	RESISTOR/METAL GLAZED(CHIP)	33 OHM 1 / 16 W 1608 5.00% D	
R611	NRSA63J-102X	MG RESISTOR	1K OHM 1 / 16 W 1608 5.00% D	
R612	LG-0RH0332C622	RESISTOR/METAL GLAZED(CHIP)	33 OHM 1 / 16 W 1608 5.00% D	
R613	LG-0RH0332C622	RESISTOR/METAL GLAZED(CHIP)	33 OHM 1 / 16 W 1608 5.00% D	
R614	LG-0RH0332C622	RESISTOR/METAL GLAZED(CHIP)	33 OHM 1 / 16 W 1608 5.00% D	
R615	LG-0RH0332C622	RESISTOR/METAL GLAZED(CHIP)	33 OHM 1 / 16 W 1608 5.00% D	
R616	LG-0RH0332C622	RESISTOR/METAL GLAZED(CHIP)	33 OHM 1 / 16 W 1608 5.00% D	
R617	LG-0RH0332C622	RESISTOR/METAL GLAZED(CHIP)	33 OHM 1 / 16 W 1608 5.00% D	
R620	LG-0LC11608D01	INDUCTOR/CHIP	HB-1M1608-121JT CERATECH R/TP	
R621	LG-0LC11608D01	INDUCTOR/CHIP	HB-1M1608-121JT CERATECH R/TP	
R623	NRSA63J-0R0X	MG RESISTOR	0 OHM 1 / 16 W 1608 5.00% D	
R624	NRSA63J-0R0X	MG RESISTOR	0 OHM 1 / 16 W 1608 5.00% D	
R625	LG-0RH0681C622	RESISTOR/METAL GLAZED(CHIP)	6.8 OHM 1 / 16 W 1608 5.00% D	
R626	NRSA63J-104X	MG RESISTOR	100K OHM 1 / 16 W 1608 5.00% D	
R627	NRSA63J-153X	MG RESISTOR	15K OHM 1 / 16 W 1608 5.00% D	
R628	NRSA63J-103X	MG RESISTOR	10K OHM 1 / 16 W 1608 5.00% D	

Symbol No.	Part No.	Part Name	Description	Local
R629	NRSA63J-0R0X	MG RESISTOR	0 OHM 1 / 16 W 1608 5.00% D	
R630	NRSA63J-0R0X	MG RESISTOR	0 OHM 1 / 16 W 1608 5.00% D	
R631	NRSA63J-102X	MG RESISTOR	1K OHM 1 / 16 W 1608 5.00% D	
R632	NRSA63J-102X	MG RESISTOR	1K OHM 1 / 16 W 1608 5.00% D	
R659	NRSA63J-122X	MG RESISTOR	1.2K OHM 1 / 16 W 1608 5.00% D	
R666	NRSA63J-104X	MG RESISTOR	100K OHM 1 / 16 W 1608 5.00% D	
R671	LG-0RJ7503C677	RESISTOR/METAL GLAZED(CHIP)	750K OHM 1/16 W 5% 1608 R/TP	
R683	NRSA63J-472X	MG RESISTOR	4.7K OHM 1 / 16 W 1608 5.00% D	
R684	NRSA63J-472X	MG RESISTOR	4.7K OHM 1 / 16 W 1608 5.00% D	
R685	NRSA63J-472X	MG RESISTOR	4.7K OHM 1 / 16 W 1608 5.00% D	
R699	NRSA63J-222X	MG RESISTOR	2.2K OHM 1 / 16 W 1608 5.00% D	
R6D1	NRSA63J-103X	MG RESISTOR	10K OHM 1 / 16 W 1608 5.00% D	
R6D2	NRSA63J-103X	MG RESISTOR	10K OHM 1 / 16 W 1608 5.00% D	
R6E1	NRSA63J-0R0X	MG RESISTOR	0 OHM 1 / 16 W 1608 5.00% D	
R6E2	NRSA63J-0R0X	MG RESISTOR	0 OHM 1 / 16 W 1608 5.00% D	
R6E3	NRSA63J-0R0X	MG RESISTOR	0 OHM 1 / 16 W 1608 5.00% D	
R6E4	NRSA63J-0R0X	MG RESISTOR	0 OHM 1 / 16 W 1608 5.00% D	
R6H4	LG-0RH2001C622	RESISTOR/METAL GLAZED(CHIP)	2K OHM 1 / 16 W 1608 5.00% D	
R705	NRSA63J-221X	MG RESISTOR	220 OHM 1 / 16 W 1608 5.00% D	
R706	NRSA63J-221X	MG RESISTOR	220 OHM 1 / 16 W 1608 5.00% D	
R707	NRSA63J-102X	MG RESISTOR	1K OHM 1 / 16 W 1608 5.00% D	
R710	NRSA63J-332X	MG RESISTOR	3.3K OHM 1 / 16 W 1608 5.00% D	
R711	NRSA63J-332X	MG RESISTOR	3.3K OHM 1 / 16 W 1608 5.00% D	
R712	NRSA63J-472X	MG RESISTOR	4.7K OHM 1 / 16 W 1608 5.00% D	
R713	NRSA63J-562X	MG RESISTOR	5.6K OHM 1 / 16 W 1608 5.00% D	
R715	NRSA63J-222X	MG RESISTOR	2.2K OHM 1 / 16 W 1608 5.00% D	
R716	NRSA63J-102X	MG RESISTOR	1K OHM 1 / 16 W 1608 5.00% D	
R717	NRSA63J-101X	MG RESISTOR	100 OHM 1 / 16 W 1608 5.00% D	
R718	NRSA63J-101X	MG RESISTOR	100 OHM 1 / 16 W 1608 5.00% D	
R7M1	NRSA63J-102X	MG RESISTOR	1K OHM 1 / 16 W 1608 5.00% D	B,C,D, E,F
R7M2	NRSA63J-221X	MG RESISTOR	220 OHM 1 / 16 W 1608 5.00% D	B,C,D, E,F
R7M4	NRSA63J-102X	MG RESISTOR	1K OHM 1 / 16 W 1608 5.00% D	B,C,D, E,F
R7M5	NRSA63J-221X	MG RESISTOR	220 OHM 1 / 16 W 1608 5.00% D	B,C,D, E,F
R7S1	NRSA63J-223X	MG RESISTOR	22K OHM 1 / 16 W 1608 5.00% D	A
R7V1	LG-0RH4703C622	RESISTOR/METAL GLAZED(CHIP)	470K OHM 1 / 16 W 1608 5.00% D	A,B,D, E,F
R7V2	LG-0RH9102C622	RESISTOR/METAL GLAZED(CHIP)	91K OHM 1 / 16 W 1608 5.00% D	A,B,D, E,F
R7V3	NRSA63J-682X	MG RESISTOR	6.8K OHM 1 / 16 W 1608 5.00% D	A,B,D, E,F
R7V4	LG-0RH5603C622	RESISTOR/METAL GLAZED(CHIP)	560K OHM 1 / 16 W 1608 5.00% D	A,B,D, E,F
R7V5	NRSA63J-682X	MG RESISTOR	6.8K OHM 1 / 16 W 1608 5.00% D	A,B,D, E,F
R7V6	LG-0RH5603C622	RESISTOR/METAL GLAZED(CHIP)	560K OHM 1 / 16 W 1608 5.00% D	A,B,D, E,F
R7V7	NRSA63J-472X	MG RESISTOR	4.7K OHM 1 / 16 W 1608 5.00% D	A,B,D, E,F
R7V8	NRSA63J-101X	MG RESISTOR	100 OHM 1 / 16 W 1608 5.00% D	A,B,D, E,F

MODEL	MARK	MODEL	MARK	MODEL	MARK
HR-XV45SEF	A	HR-XV45SER	C	HR-XV45SEY	E
HR-XV45SEK	B	HR-XV45SEU	D	HR-XV45SEZ	F

Symbol No.	Part No.	Part Name	Description	Local
R7V9	NRSA63J-101X	MG RESISTOR	100 OHM 1 / 16 W 1608 5.00% D	A,B,D, E,F
R801	LG-0RH3304C622	RESISTOR/METAL GLAZED(CHIP)	3.3M OHM 1 / 16 W 1608 5.00% D	
R802	LG-0RH3302C622	RESISTOR/METAL GLAZED(CHIP)	33K OHM 1 / 16 W 1608 5.00% D	
R803	LG-0RH2701C622	RESISTOR/METAL GLAZED(CHIP)	2.7K OHM 1 / 16 W 1608 5.00% D	
R804	LG-0RH3902C622	RESISTOR/METAL GLAZED(CHIP)	39K OHM 1 / 16 W 1608 5.00% D	
R805	LG-0RH2701C622	RESISTOR/METAL GLAZED(CHIP)	2.7K OHM 1 / 16 W 1608 5.00% D	
R806	LG-0RH3302C622	RESISTOR/METAL GLAZED(CHIP)	33K OHM 1 / 16 W 1608 5.00% D	
R807	NRSA63J-471X	MG RESISTOR	470 OHM 1 / 16 W 1608 5.00% D	
R808	NRSA63J-103X	MG RESISTOR	10K OHM 1 / 16 W 1608 5.00% D	
R809	LG-0RH1802C622	RESISTOR/METAL GLAZED(CHIP)	18K OHM 1 / 16 W 1608 5.00% D	
R810	NRSA63J-101X	MG RESISTOR	100 OHM 1 / 16 W 1608 5.00% D	
R811	NRSA63J-101X	MG RESISTOR	100 OHM 1 / 16 W 1608 5.00% D	
R812	NRSA63J-102X	MG RESISTOR	1K OHM 1 / 16 W 1608 5.00% D	
R821	NRSA63J-222X	MG RESISTOR	2.2K OHM 1 / 16 W 1608 5.00% D	
R822	NRSA63J-104X	MG RESISTOR	100K OHM 1 / 16 W 1608 5.00% D	
R823	NRSA63J-222X	MG RESISTOR	2.2K OHM 1 / 16 W 1608 5.00% D	
R824	NRSA63J-104X	MG RESISTOR	100K OHM 1 / 16 W 1608 5.00% D	
R825	NRSA63J-222X	MG RESISTOR	2.2K OHM 1 / 16 W 1608 5.00% D	
R826	NRSA63J-222X	MG RESISTOR	2.2K OHM 1 / 16 W 1608 5.00% D	
R834	NRSA63J-0R0X	MG RESISTOR	0 OHM 1 / 16 W 1608 5.00% D	
R835	NRSA63J-104X	MG RESISTOR	100K OHM 1 / 16 W 1608 5.00% D	
R836	NRSA63J-0R0X	MG RESISTOR	0 OHM 1 / 16 W 1608 5.00% D	
R837	NRSA63J-104X	MG RESISTOR	100K OHM 1 / 16 W 1608 5.00% D	
R841	NRSA63J-750X	MG RESISTOR	75 OHM 1 / 16 W 1608 5.00% D	
R850	NRSA63J-103X	MG RESISTOR	10K OHM 1 / 16 W 1608 5.00% D	B,C,D, E,F
R851	LG-0RH3302C622	RESISTOR/METAL GLAZED(CHIP)	33K OHM 1 / 16 W 1608 5.00% D	B,C,D, E,F
R852	NRSA63J-822X	MG RESISTOR	8.2K OHM 1 / 16 W 1608 5.00% D	B,C,D, E,F
R853	NRSA63J-0R0X	MG RESISTOR	0 OHM 1 / 16 W 1608 5.00% D	B,C,D, E,F
R854	LG-0RH3302C622	RESISTOR/METAL GLAZED(CHIP)	33K OHM 1 / 16 W 1608 5.00% D	B,C,D, E,F
R855	NRSA63J-103X	MG RESISTOR	10K OHM 1 / 16 W 1608 5.00% D	B,C,D, E,F
R856	NRSA63J-822X	MG RESISTOR	8.2K OHM 1 / 16 W 1608 5.00% D	B,C,D, E,F
R857	NRSA63J-332X	MG RESISTOR	3.3K OHM 1 / 16 W 1608 5.00% D	B,C,D, E,F
R858	NRSA63J-332X	MG RESISTOR	3.3K OHM 1 / 16 W 1608 5.00% D	B,C,D, E,F
R859	NRSA63J-0R0X	MG RESISTOR	0 OHM 1 / 16 W 1608 5.00% D	B,C,D, E,F
R863	NRSA63J-101X	MG RESISTOR	100 OHM 1 / 16 W 1608 5.00% D	
R864	NRSA63J-101X	MG RESISTOR	100 OHM 1 / 16 W 1608 5.00% D	
R867	NRSA63J-0R0X	MG RESISTOR	0 OHM 1 / 16 W 1608 5.00% D	
R868	NRSA63J-0R0X	MG RESISTOR	0 OHM 1 / 16 W 1608 5.00% D	
R875	NRSA63J-472X	MG RESISTOR	4.7K OHM 1 / 16 W 1608 5.00% D	
R876	NRSA63J-472X	MG RESISTOR	4.7K OHM 1 / 16 W 1608 5.00% D	
R881	NRSA63J-472X	MG RESISTOR	4.7K OHM 1 / 16 W 1608 5.00% D	
R882	NRSA63J-472X	MG RESISTOR	4.7K OHM 1 / 16 W 1608 5.00% D	

Symbol No.	Part No.	Part Name	Description	Local
R891	NRSA63J-472X	MG RESISTOR	4.7K OHM 1 / 16 W 1608 5.00% D	
R892	LG-0RH3901C622	RESISTOR/METAL GLAZED(CHIP)	3.9K OHM 1 / 16 W 1608 5.00% D	
R893	NRSA63J-472X	MG RESISTOR	4.7K OHM 1 / 16 W 1608 5.00% D	
R899	LG-0RH3901C622	RESISTOR/METAL GLAZED(CHIP)	3.9K OHM 1 / 16 W 1608 5.00% D	
R901	NRSA63J-123X	MG RESISTOR	12K OHM 1 / 16 W 1608 5.00% D	
R902	NRSA63J-103X	MG RESISTOR	10K OHM 1 / 16 W 1608 5.00% D	
R903	NRSA63J-750X	MG RESISTOR	75 OHM 1 / 16 W 1608 5.00% D	
R904	NRSA63J-561X	MG RESISTOR	560 OHM 1 / 16 W 1608 5.00% D	
R905	NRSA63J-561X	MG RESISTOR	560 OHM 1 / 16 W 1608 5.00% D	
R906	NRSA63J-561X	MG RESISTOR	560 OHM 1 / 16 W 1608 5.00% D	
R907	NRSA63J-561X	MG RESISTOR	560 OHM 1 / 16 W 1608 5.00% D	
R908	NRSA63J-750X	MG RESISTOR	75 OHM 1 / 16 W 1608 5.00% D	
R909	NRSA63J-750X	MG RESISTOR	75 OHM 1 / 16 W 1608 5.00% D	
R910	NRSA63J-750X	MG RESISTOR	75 OHM 1 / 16 W 1608 5.00% D	
R913	NRSA63J-750X	MG RESISTOR	75 OHM 1 / 16 W 1608 5.00% D	
R914	NRSA63J-750X	MG RESISTOR	75 OHM 1 / 16 W 1608 5.00% D	
R915	NRSA63J-0R0X	MG RESISTOR	0 OHM 1 / 16 W 1608 5.00% D	
R916	NRSA63J-0R0X	MG RESISTOR	0 OHM 1 / 16 W 1608 5.00% D	
R919	NRSA63J-101X	MG RESISTOR	100 OHM 1 / 16 W 1608 5.00% D	
R920	NRSA63J-750X	MG RESISTOR	75 OHM 1 / 16 W 1608 5.00% D	
R921	NRSA63J-111X	MG RESISTOR	110 OHM 1 / 16 W 1608 5.00% D	
R927	NRSA63J-750X	MG RESISTOR	75 OHM 1 / 16 W 1608 5.00% D	
R928	NRSA63J-151X	MG RESISTOR	150 OHM 1 / 16 W 1608 5.00% D	
R929	NRSA63J-151X	MG RESISTOR	150 OHM 1 / 16 W 1608 5.00% D	
R933	NRSA63J-750X	MG RESISTOR	75 OHM 1 / 16 W 1608 5.00% D	
R934	NRSA63J-750X	MG RESISTOR	75 OHM 1 / 16 W 1608 5.00% D	
R962	LG-0RH1500C422	RESISTOR/METAL GLAZED(CHIP)	150 OHM 1 / 16 W 1608 1.00% D	
R970	LG-0RH1500C422	RESISTOR/METAL GLAZED(CHIP)	150 OHM 1 / 16 W 1608 1.00% D	
R972	LG-0RH1500C422	RESISTOR/METAL GLAZED(CHIP)	150 OHM 1 / 16 W 1608 1.00% D	
R974	LG-0RH1500C422	RESISTOR/METAL GLAZED(CHIP)	150 OHM 1 / 16 W 1608 1.00% D	
R975	LG-0RH1500C422	RESISTOR/METAL GLAZED(CHIP)	150 OHM 1 / 16 W 1608 1.00% D	
R998	NRSA63J-102X	MG RESISTOR	1K OHM 1 / 16 W 1608 5.00% D	
R999	LG-0RH8200C622	RESISTOR/METAL GLAZED(CHIP)	820 OHM 1 / 16 W 1608 5.00% D	
L201	LG-0LR0102J025	INDUCTOR/RADIAL LEAD	10UH 5% TP 4 X 5 TR5 -	
L202	LG-6200HJC102A	FILTER(CIRC)/EMC	HB-1M2012-102JT CERATECH TP	
L203	LG-0LR0102J025	INDUCTOR/RADIAL LEAD	10UH 5% TP 4 X 5 TR5 -	
L204	LG-6200HJC102A	FILTER(CIRC)/EMC	HB-1M2012-102JT CERATECH TP	
L205	LG-0LCCE00004E	INDUCTOR/CHIP	FI-C2012-103KJT (10UH) CERATECH	
L206	LG-6200HJC102A	FILTER(CIRC)/EMC	HB-1M2012-102JT CERATECH TP	
L207	LG-6200HJC102A	FILTER(CIRC)/EMC	HB-1M2012-102JT CERATECH TP	
L301	LG-0LR0102J0N5	INDUCTOR/RADIAL LEAD	10UH 5% TP 3X5 TR5 -	
L303	LG-0LR0102J0N5	INDUCTOR/RADIAL LEAD	10UH 5% TP 3X5 TR5 -	

MODEL	MARK	MODEL	MARK	MODEL	MARK
HR-XV45SEF	A	HR-XV45SER	C	HR-XV45SEY	E
HR-XV45SEK	B	HR-XV45SEU	D	HR-XV45SEZ	F

Symbol No.	Part No.	Part Name	Description	Local
L304	LG-0LR0102J0N5	INDUCTOR/RADIAL LEAD	10UH 5% TP 3X5 TR5 -	
L305	LG-0LR1000K035	INDUCTOR/RADIAL LEAD	100UH 10% TP 6 X 6 TR5 -	
L307	LG-0LR0102J0N5	INDUCTOR/RADIAL LEAD	10UH 5% TP 3X5 TR5 -	
L308	LG-0LR0392K035	INDUCTOR/RADIAL LEAD	39UH 10% TP 6 X 6 TR5 -	
L3S1	LG-0LR0102K035	INDUCTOR/RADIAL LEAD	10UH 10% TP 6 X 6 TR5 -	A
L401	LG-6200HJC102A	FILTER(CIRC)/EMC	HB-1M2012-102JT CERATECH TP	
L503	LG-0LR1000J0N5	INDUCTOR/RADIAL LEAD	100UH 5% TP 3X5 TR5 -	
L504	LG-0LR0102J0N5	INDUCTOR/RADIAL LEAD	10UH 5% TP 3X5 TR5 -	
L505	LG-0LR0122K035	INDUCTOR/RADIAL LEAD	12UH 10% TP 6 X 6 TR5 -	
L5F1	LG-0LA1000K018	INDUCTOR/AXIAL LEAD	100UH 10% TP 2.3 X 3.4 TA26 -	
L5F2	LG-0LA1000K018	INDUCTOR/AXIAL LEAD	100UH 10% TP 2.3 X 3.4 TA26 -	
L5G2	LG-0LR4700K035	INDUCTOR/RADIAL LEAD	470UH 10% TP 6 X 6 TR5 -	
L5V1	LG-0LR0102J0N5	INDUCTOR/RADIAL LEAD	10UH 5% TP 3X5 TR5 -	
L601	LG-6200HJC102A	FILTER(CIRC)/EMC	HB-1M2012-102JT CERATECH TP	
L603	LG-6200HJC102A	FILTER(CIRC)/EMC	HB-1M2012-102JT CERATECH TP	
L604	LG-6200HJC102A	FILTER(CIRC)/EMC	HB-1M2012-102JT CERATECH TP	
L605	LG-6200HJC102A	FILTER(CIRC)/EMC	HB-1M2012-102JT CERATECH TP	
L609	LG-6200HJC102A	FILTER(CIRC)/EMC	HB-1M2012-102JT CERATECH TP	
L610	LG-6200HJC102A	FILTER(CIRC)/EMC	HB-1M2012-102JT CERATECH TP	
L611	LG-6200HJC102A	FILTER(CIRC)/EMC	HB-1M2012-102JT CERATECH TP	
L701	LG-0LR1000K035	INDUCTOR/RADIAL LEAD	100UH 10% TP 6 X 6 TR5 -	
L702	LG-0LR0102K035	INDUCTOR/RADIAL LEAD	10UH 10% TP 6 X 6 TR5 -	
L704	LG-0LR0102K035	INDUCTOR/RADIAL LEAD	10UH 10% TP 6 X 6 TR5 -	
L705	LG-0LR0102K035	INDUCTOR/RADIAL LEAD	10UH 10% TP 6 X 6 TR5 -	
L7V1	LG-0LR1000K035	INDUCTOR/RADIAL LEAD	100UH 10% TP 6 X 6 TR5 -	
L801	LG-0LR1000K035	INDUCTOR/RADIAL LEAD	100UH 10% TP 6 X 6 TR5 -	
L802	LG-0LR1000K035	INDUCTOR/RADIAL LEAD	100UH 10% TP 6 X 6 TR5 -	
L901	LG-0LCCE00004E	INDUCTOR/CHIP	FI-C2012-103KJT (10UH) CERATEC	
L902	LG-0LCCE00004E	INDUCTOR/CHIP	FI-C2012-103KJT (10UH) CERATEC	
L903	LG-0LCCE00004E	INDUCTOR/CHIP	FI-C2012-103KJT (10UH) CERATEC	
L904	LG-0LCCE00004E	INDUCTOR/CHIP	FI-C2012-103KJT (10UH) CERATEC	
L905	LG-0LCCE00004E	INDUCTOR/CHIP	FI-C2012-103KJT (10UH) CERATEC	
L906	LG-0LCCE00004E	INDUCTOR/CHIP	FI-C2012-103KJT (10UH) CERATEC	
L907	LG-0LCCE00004E	INDUCTOR/CHIP	FI-C2012-103KJT (10UH) CERATEC	
L908	LG-0LCCE00004E	INDUCTOR/CHIP	FI-C2012-103KJT (10UH) CERATEC	
L909	LG-0LCCE00004E	INDUCTOR/CHIP	FI-C2012-103KJT (10UH) CERATEC	
L910	LG-0LCCE00004E	INDUCTOR/CHIP	FI-C2012-103KJT (10UH) CERATEC	
L911	LG-0LCCE00004L	INDUCTOR/CHIP	1UH / CHIP2012 CERATECH R/TP	
L912	LG-0LCCE00004L	INDUCTOR/CHIP	1UH / CHIP2012 CERATECH R/TP	
L913	LG-0LCCE00004L	INDUCTOR/CHIP	1UH / CHIP2012 CERATECH R/TP	
L916	LG-0LCCE00004E	INDUCTOR/CHIP	FI-C2012-103KJT (10UH) CERATEC	
L917	LG-0LCCE00004E	INDUCTOR/CHIP	FI-C2012-103KJT (10UH) CERATEC	

Symbol No.	Part No.	Part Name	Description	Local
L920	LG-6200HJC102A	FILTER(CIRC)/EMC	HB-1M2012-102JT CERATECH TP	
L921	LG-6200HJC102A	FILTER(CIRC)/EMC	HB-1M2012-102JT CERATECH TP	
L922	LG-6200HJC102A	FILTER(CIRC)/EMC	HB-1M2012-102JT CERATECH TP	
BC91	LG-636-004C	FILTER(CIRC)/EMC	BEAD CORE BFS3550R2FD8/R T/P	
BC92	LG-636-004C	FILTER(CIRC)/EMC	BEAD CORE BFS3550R2FD8/R T/P	
CN201	LG-6630R-FB10W	CONNECTOR (CIRC)/FFC/FPC	00-6232-023-006-800 ELCO 23PIN	
CN202	LG-6630R-FB10K	CONNECTOR (CIRC)/FFC/FPC	00-6232-011-006-800 ELCO 11P 1	
CN605	LG-6630B60E913	CONNECTOR (CIRC)/BOARD TO BOARD	JE117-D22T-13 JAE EUN 13P 2.54	
CN608	LG-561-036A	CONNECTOR (CIRC)/WAFER	MA V 8283-0212 WH ELCO	
CS501	LG-6600M000026	SWITCH/PUSH	MPU12970MLB0 VCR CST IN S/W MI	
ES501	LG-4931R-0085C	HOLDER ASSEMBLY	VCR DECK/MECHA END(S)	
ES502	LG-4931R-0085C	HOLDER ASSEMBLY	VCR DECK/MECHA END(S)	
F600	LG-6200JB8010V	FILTER(CIRC)/EMC	LFA20-2A1E473MT MITSUBISHI MAT	
J333	NRSA63J-0R0X	MG RESISTOR	0 OHM 1 / 16 W 1608 5.00% D	
J503	NRSA63J-0R0X	MG RESISTOR	0 OHM 1 / 16 W 1608 5.00% D	
J701	NRSA63J-0R0X	MG RESISTOR	0 OHM 1 / 16 W 1608 5.00% D	A
J701	NRSA63J-152X	MG RESISTOR	1.5K OHM 1 / 16 W 1608 5.00% D	B,C,D, E,F
J702	NRSA63J-0R0X	MG RESISTOR	0 OHM 1 / 16 W 1608 5.00% D	A
J702	NRSA63J-152X	MG RESISTOR	1.5K OHM 1 / 16 W 1608 5.00% D	B,C,D, E,F
J801	NRSA63J-0R0X	MG RESISTOR	0 OHM 1 / 16 W 1608 5.00% D	
J8H1	NRSA63J-0R0X	MG RESISTOR	0 OHM 1 / 16 W 1608 5.00% D	
J8H2	NRSA63J-0R0X	MG RESISTOR	0 OHM 1 / 16 W 1608 5.00% D	
J8H3	NRSA63J-0R0X	MG RESISTOR	0 OHM 1 / 16 W 1608 5.00% D	
J8H4	NRSA63J-0R0X	MG RESISTOR	0 OHM 1 / 16 W 1608 5.00% D	
JK5L1	LG-6612J00053A	JACK/RCA	DPAE-0385 DOOWON RGB 2004 CO	
JK902	LG-6612J00050F	JACK/RCA	ATT-10dB YUQIU RCA-910A-05-01	
LD501	LG-4931R-0089C	HOLDER ASSEMBLY	VCR DECK/MECHA END(S)	
MS501	LG-6600JR3002D	SWITCH/MODE	SSS-51MD-3 SHINMEI 5VDC 1MA D3	
P3D01	LG-561-234S	CONNECTOR (CIRC)/FFC/FPC	GF120-9S-TS-A LG CABLE 9P 1.25	
P3D02	LG-6630R5S008J	CONNECTOR(CIRC)/DRAWING	06(11)FM22.5H-BTR-SH (LF)(SN)	
P3D03	LG-561-251B	CONNECTOR(CIRC)/DRAWING	GB201-2P-TS-B(LGC)	
PMC01	LG-6630BK01612	CONNECTOR (CIRC)/BOARD TO BOARD	JE612-A2T-12A JAE EUN 12P 2.0M	
SC901	LG-6612M00006A	JACK/SCART	DSAM-0341 DOOWON	
SW501	LG-556-213C	SWITCH/DETECTOR	THV10912B TACT DC 12 V 5-0 A V	
SW502	LG-556-213C	SWITCH/DETECTOR	THV10912B TACT DC 12 V 5-0 A V	
SW503	LG-556-213C	SWITCH/DETECTOR	THV10912B TACT DC 12 V 5-0 A V	
SW504	LG-556-213C	SWITCH/DETECTOR	THV10912B TACT DC 12 V 5-0 A V	
SW505	LG-556-213C	SWITCH/DETECTOR	THV10912B TACT DC 12 V 5-0 A V	
TU701	LG-6700PFPL07A	TUNER	TADM-S101D(SECAM/LGIT) LG INOTEK	A
TU701	LG-6700PFPL07F	TUNER	TADM-M101D(GKI/LGIT) LG INOTEK	B,C,D, E,F
X301	LG-6212AA2443Z	RESONATOR/CRYSTAL	HC-49S CSC/KITELCO 4.433619MHZ	

MODEL	MARK	MODEL	MARK	MODEL	MARK
HR-XV45SEF	A	HR-XV45SER	C	HR-XV45SEY	E
HR-XV45SEK	B	HR-XV45SEU	D	HR-XV45SEZ	F

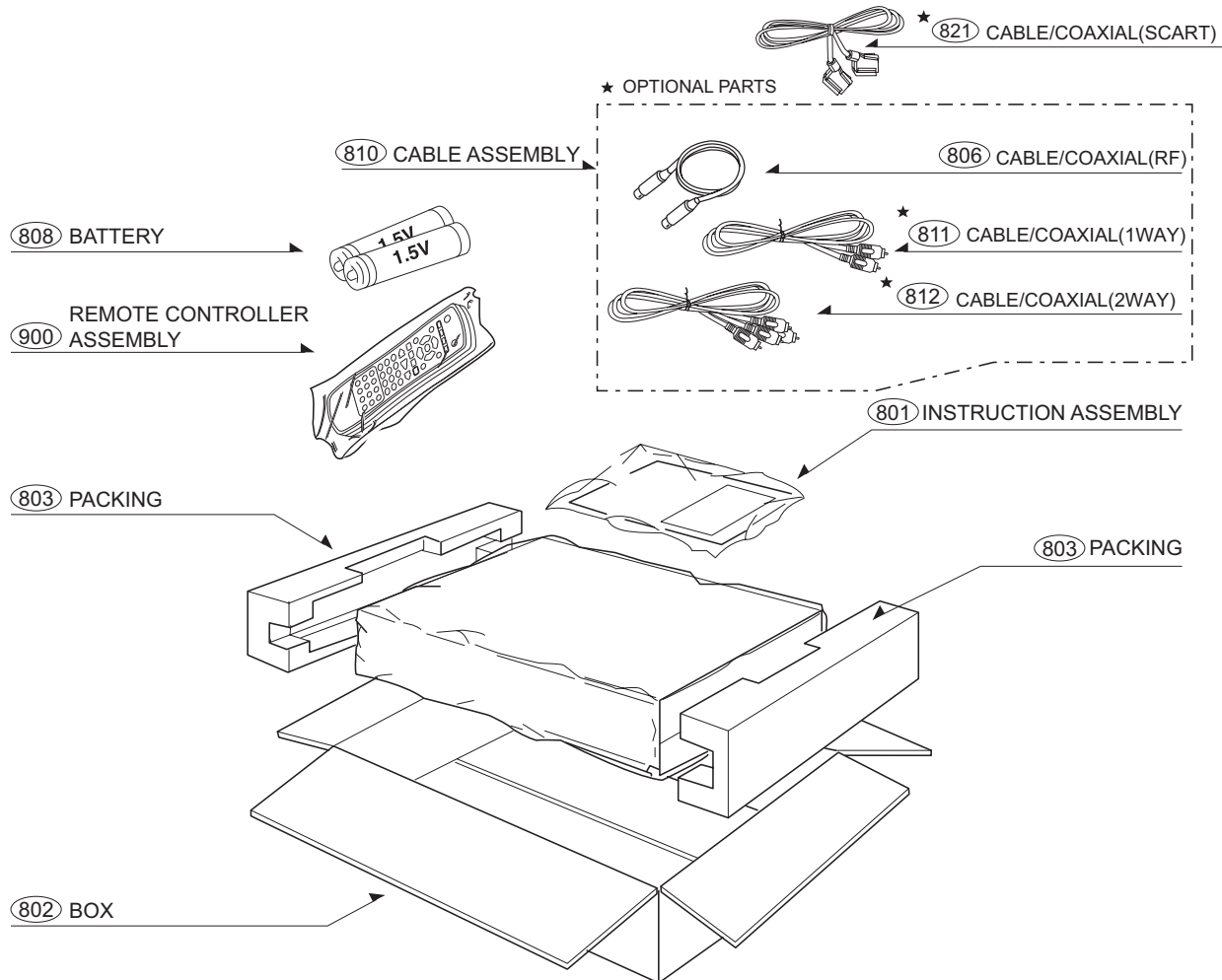
Symbol No.	Part No.	Part Name	Description	Local
X501	LG-6212AA2143F	RESONATOR/ CRYSTAL	HC-49U KYUNGIL 14.31818MHZ +/-	
X502	LG-6202R- DA01B	RESONATOR/ CRYSTAL	CFS-308 CITIZEN 32.768KHZ +/-	
X601	LG-6202R- BL06C	RESONATOR/ CRYSTAL	HC-49/S BUBANG 27MHZ 20PPM 15	
X751	LG-529-021Q	RESONATOR/ CRYSTAL	49U BUBANG 18432000HZ 30PPM 16	

MODEL	MARK	MODEL	MARK	MODEL	MARK
HR-XV45SEF	A	HR-XV45SER	C	HR-XV45SEY	E
HR-XV45SEK	B	HR-XV45SEU	D	HR-XV45SEZ	F

Packing materials and accessories parts list

The instruction manual to be provided with this product will differ according to the destination.

Block No. M4MM



Packing and accessories

Block No. [M][4][M][M]

Symbol No.	Part No.	Part Name	Description	Local
801	LG-3835RV0038B	INSTRUCTION ASSEMBLY	VCR VJ9033QP1M.NA7BJJ JVC GER/	A
801	LG-3835RV0038A	INSTRUCTION ASSEMBLY	VCR VJ9033QP1M.NA3GJJ JVC GER/	B
801	LG-3835RV0038D	INSTRUCTION ASSEMBLY	VCR VJ9033QP4M.NA3RJJ JVC RUSS	C
801	LG-3835RV0038F	INSTRUCTION ASSEMBLY	VCR VJ9033QP1M.NA3GJJ JVC GER/	D
801	LG-3835RV0038E	INSTRUCTION ASSEMBLY	VCR VJ9033QP2M.NA8SJJ JVC DEN/	E
801	LG-3835RV0038C	INSTRUCTION ASSEMBLY	VCR VJ9033QP2M.NA8PJJ JVC POL/	F
802	LG-3890R-C299X	BOX	VJ9033QSM NA7BJJ SWW3-A	A
802	LG-3890R-C299Y	BOX	VJ9033QP2M NA8SJJ SWW3-A	B
802	LG-3890R-C299Z	BOX	VJ9033QP4M NA3RJJ SWW3-A	C
802	LG-3890R-C317B	BOX	VJ9033QP2M NA8SJJ SWW3-A	D,E,F
803	LG-3920R-E168A	PACKING	VCR COMBIV9 130 COMBI	
806	LG-6850R-CAA2H	CABLE/COAXIAL	RF PAL DOUBLE SHIELD DT_HY_HIT	
808	-	BATTERY/MANGANESE	AAAM(R03) SEOTONG 1.5 V - 1PA	
810	LG-6851R-0054B	CABLE ASSEMBLY	PAL RF 1.2M FREE OF CD_PB_HG H	A
810	LG-6851R-0055B	CABLE ASSEMBLY	PAL RF 1.2M + 1WAY YELLOW 1.2M	B,C,D,E,F
811	LG-6850R-PAA2F	CABLE/COAXIAL	1 WAY COAXIAL DT_HY_HIT SEIL	B,C,D,E,F
812	LG-6850R-PBA2H	CABLE/COAXIAL	2 WAY COAXIAL RED_WHITE DT_HY_	B,C,D,E,F
821	LG-6850R-SUA2F	CABLE/COAXIAL	SCART TO SCART 21 PIN DT_HY_HI	A,B
900	LG-6711R1P081F	REMOTE CONTROLLER ASSEMBLY	N6 VJ9033P1Z NA3GJJ JVC W/SHOW	